

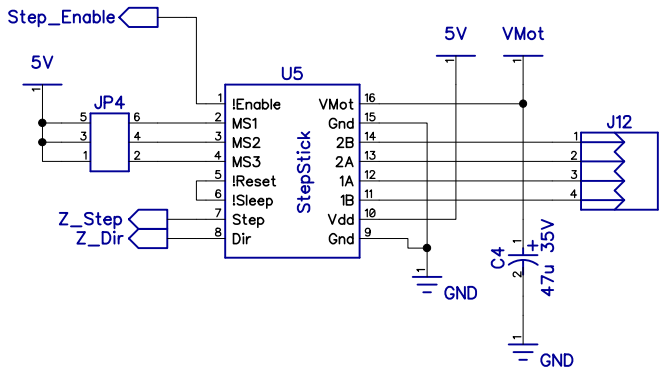
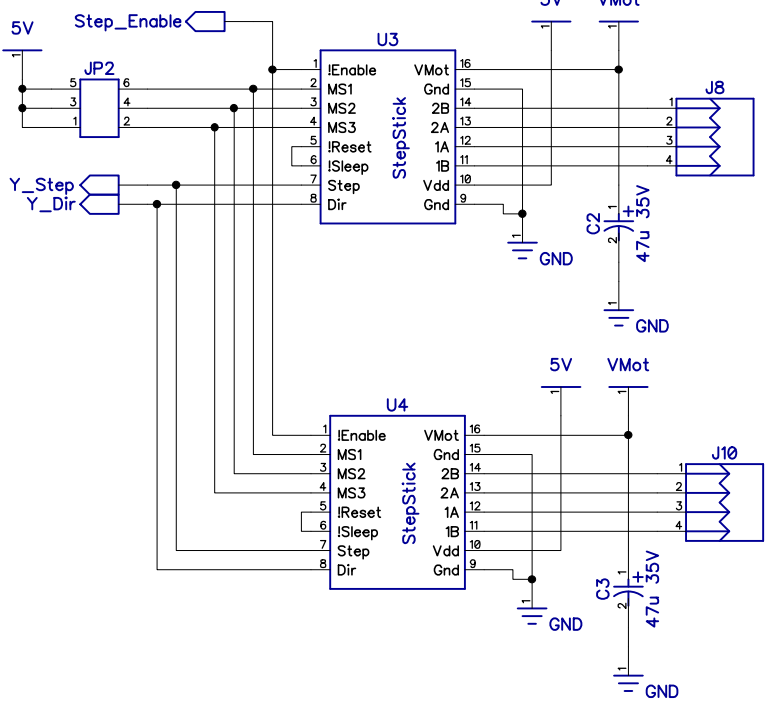
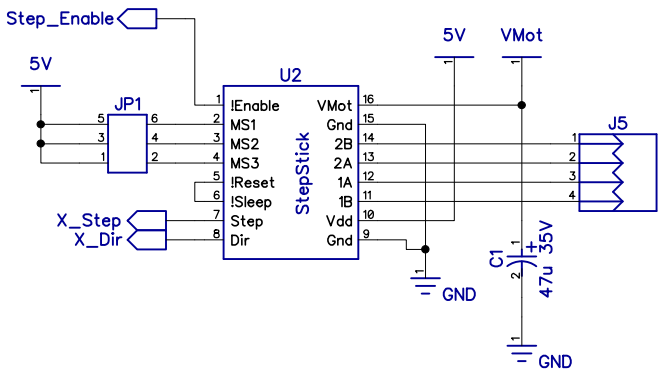
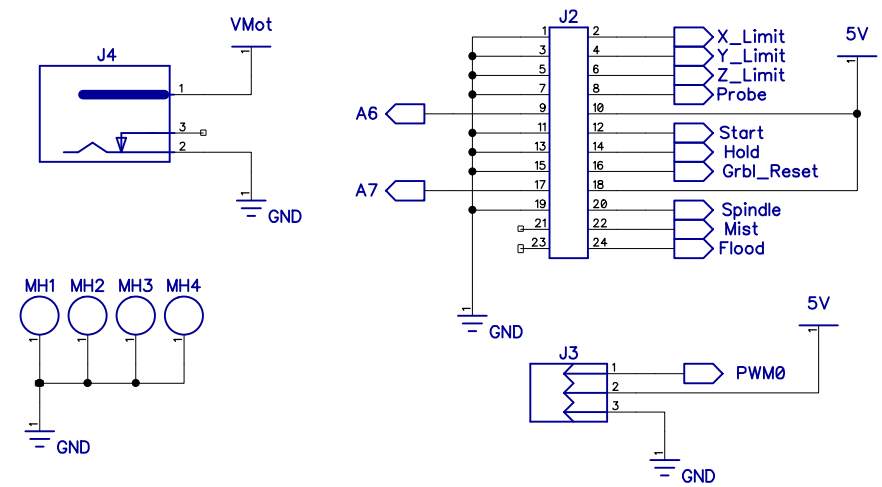
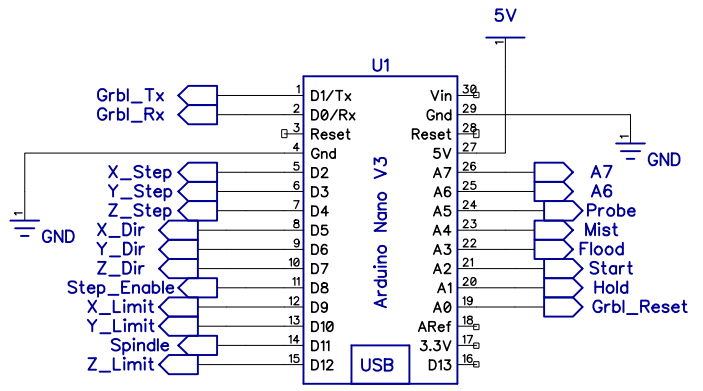
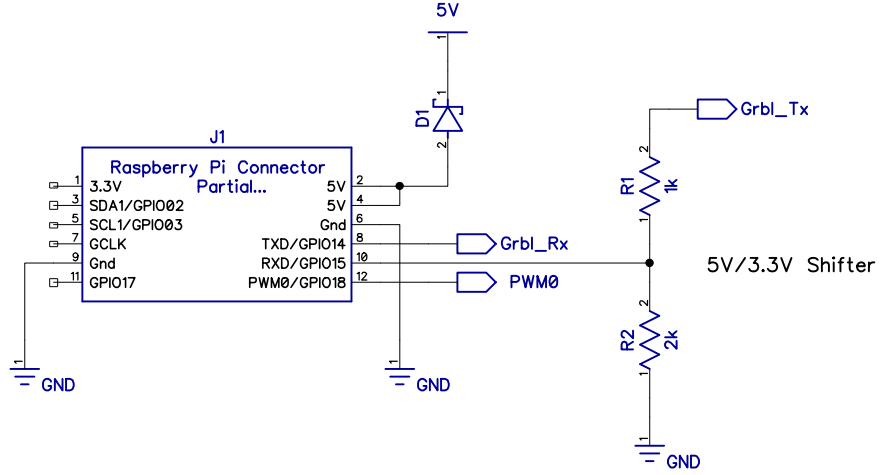
4 3 2 1

D D

C C

B B

A A



Buildlog.net

### Grbl HAT

CNC Controller for GRbl on Raspberry Pi  
(Can also be used as a stand alone controller)

SIZE	FSCM NO.	DWG NO.	REV A
SCALE		Sheet 1	

4 3 2 1