

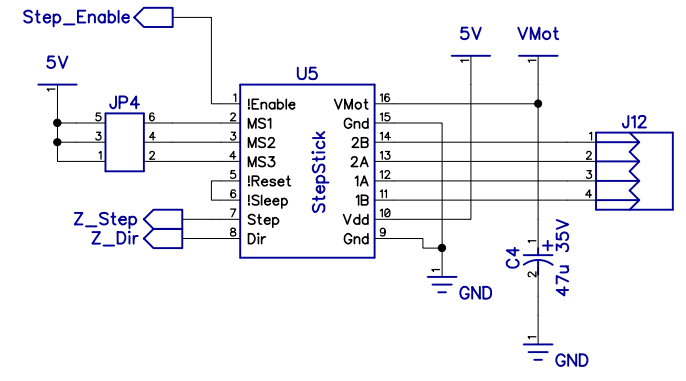
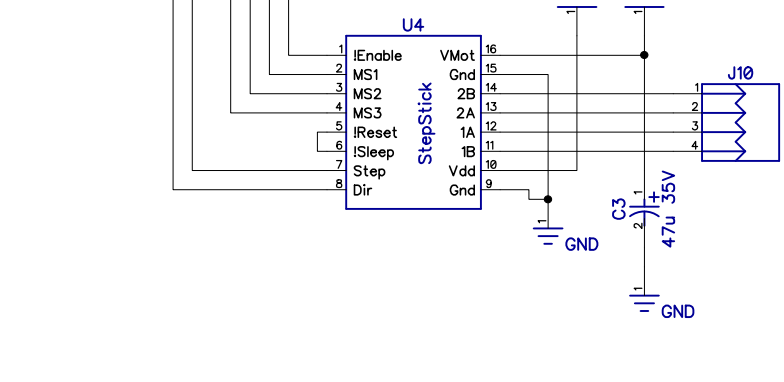
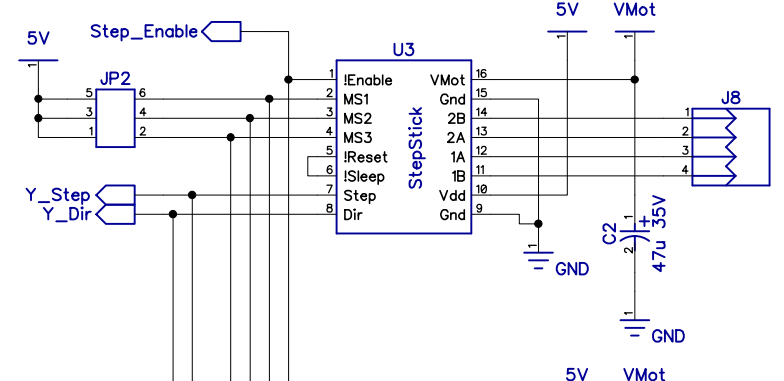
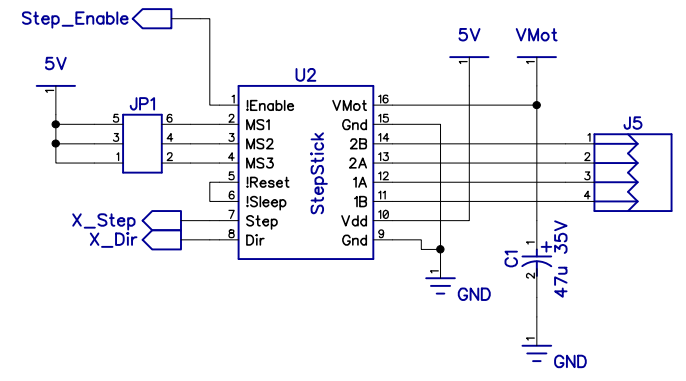
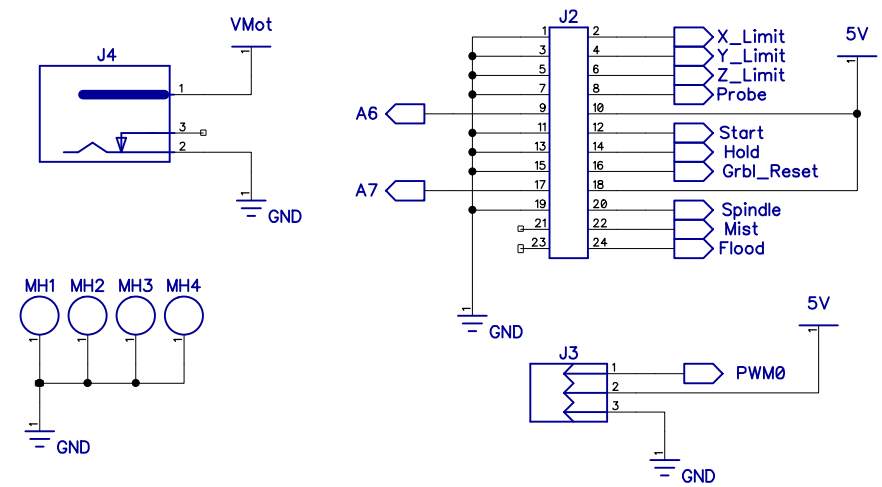
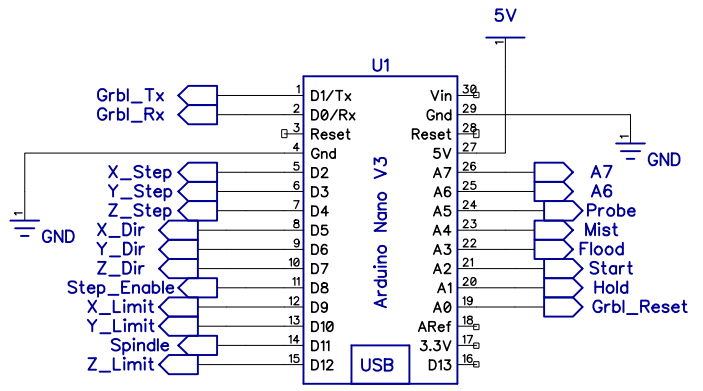
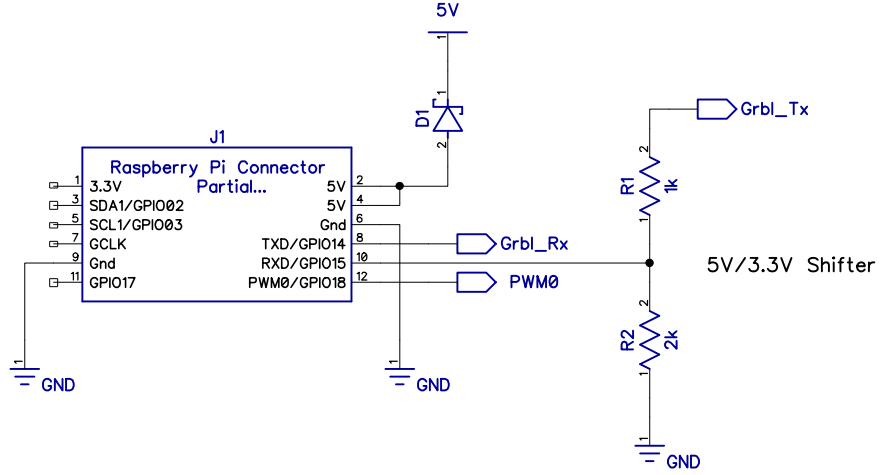
4 3 2 1

D D

C C

B B

A A



Buildlog.net

Grbl HAT			
CNC Controller for GRbl on Raspberry Pi (Can also be used as a stand alone controller)			
SIZE	FSCM NO.	DWG NO.	REV A
SCALE			Sheet 1

4 3 2 1