

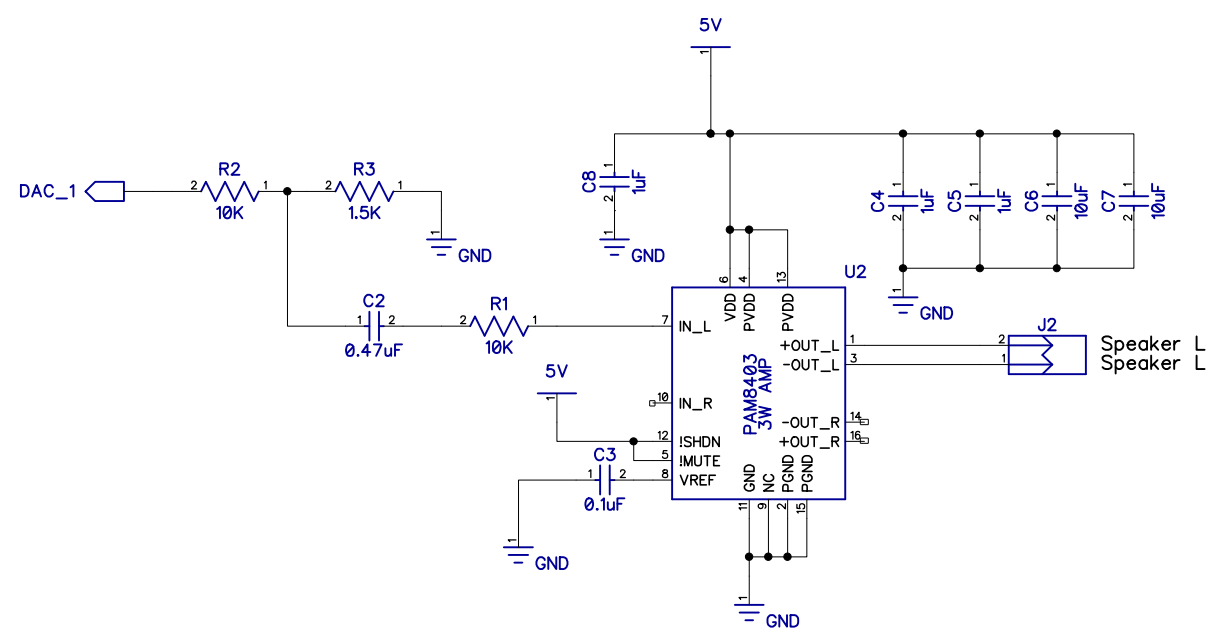
2

1

REVISIONS				
ZONE	REV	DESCRIPTION	DATE	APPROVED

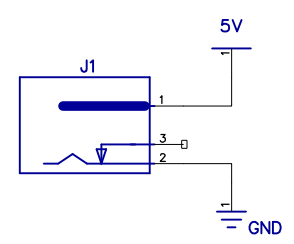
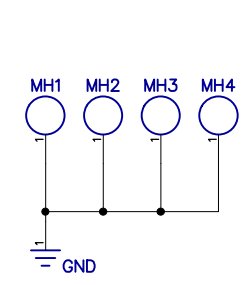
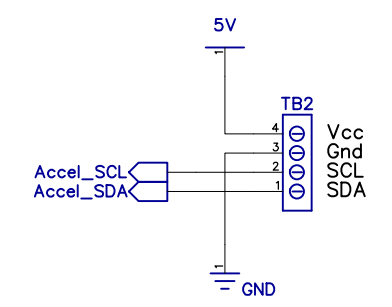
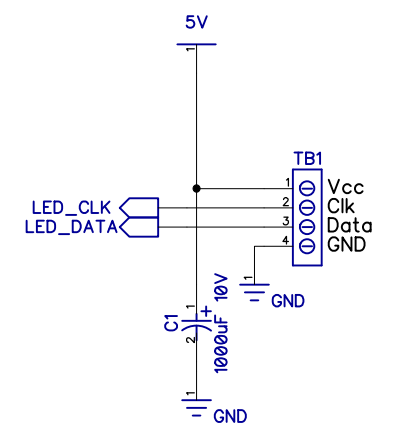
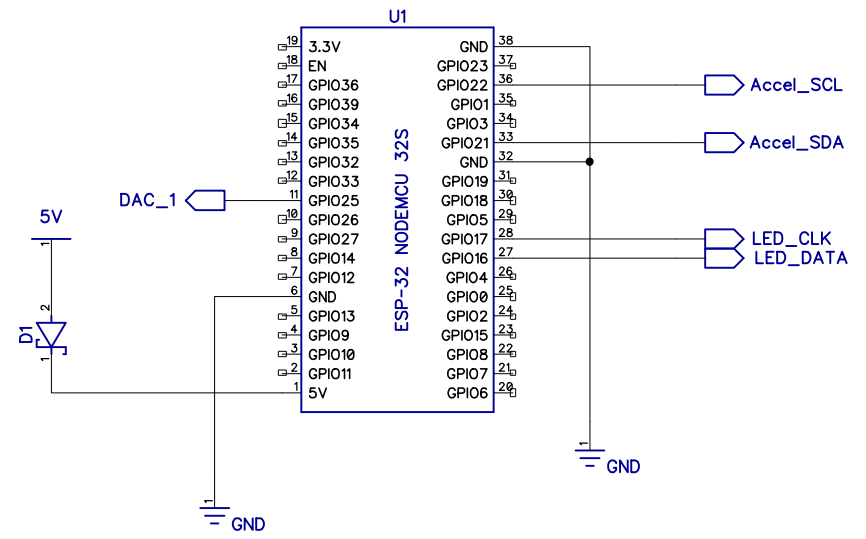
B

B



A

A



Copyright (c) B. Dring 2018 Open Source CC4.0-A-SA	TWANG32 V1			
	Buildlog.net	SIZE	FSCM NO.	DWG NO.
	SCALE		Sheet 1	Rv 1

2

1