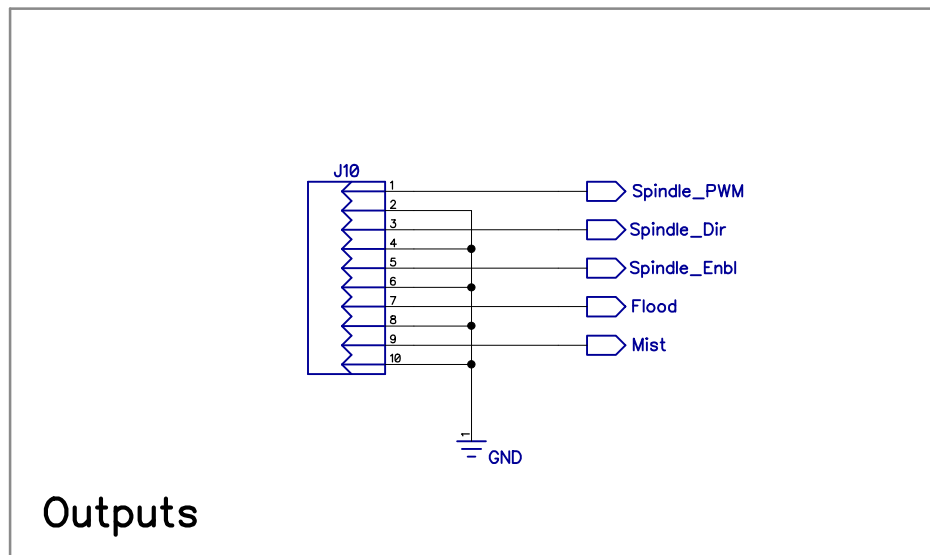
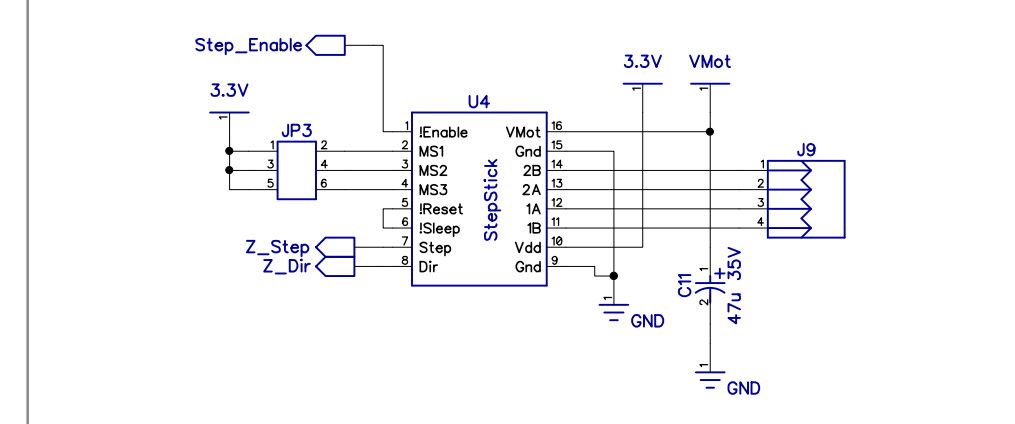
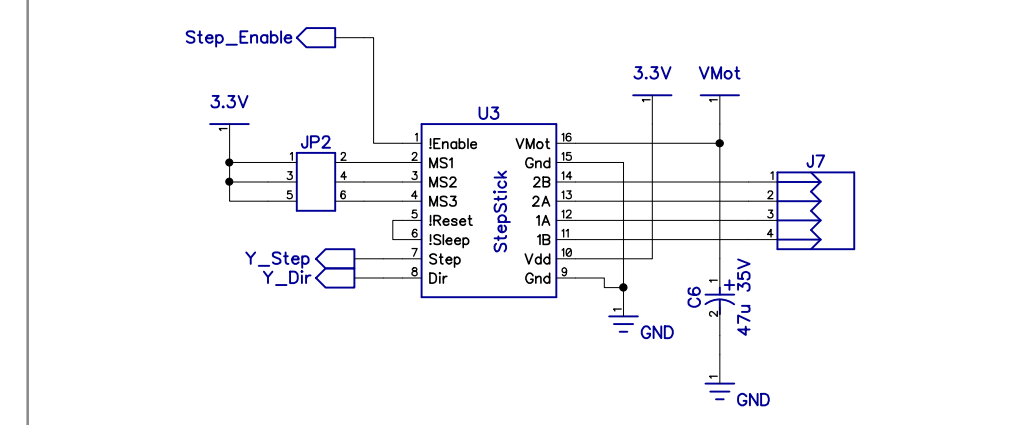
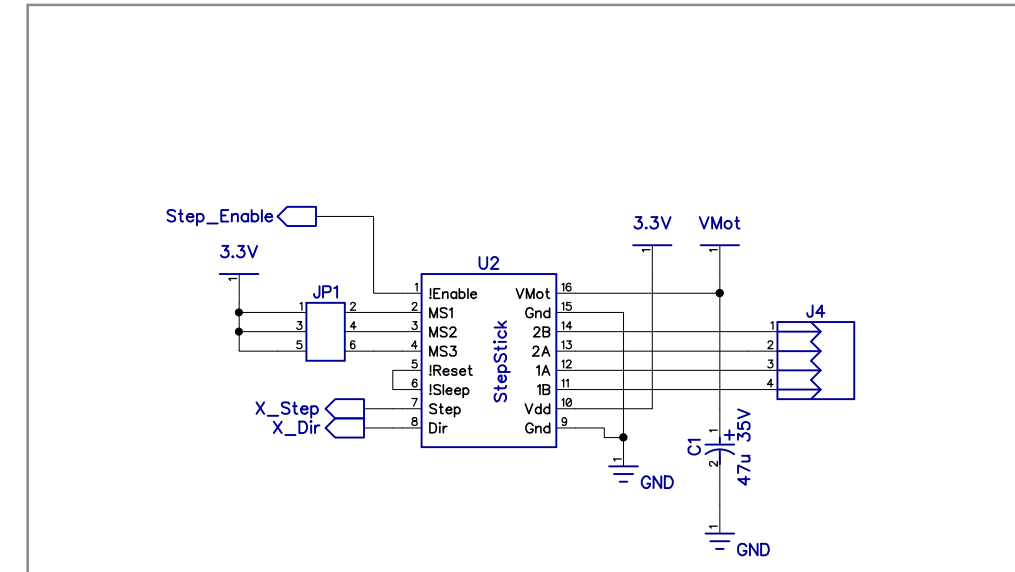


Inputs



Outputs



Stepper motor Drivers



<b>ESP32 CNC Test PCB V2</b>			
A Test PCB for ESP CNC			
Buildlog.net	SIZE	FSCM NO.	DWG NO.
	SCALE		Sheet 1
			REV 2