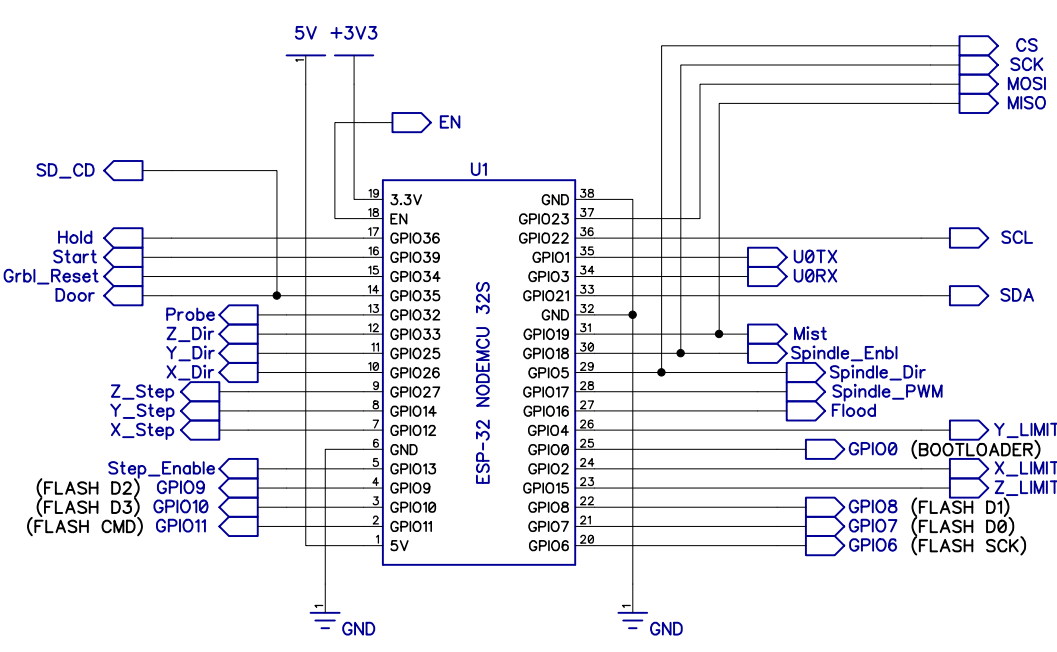
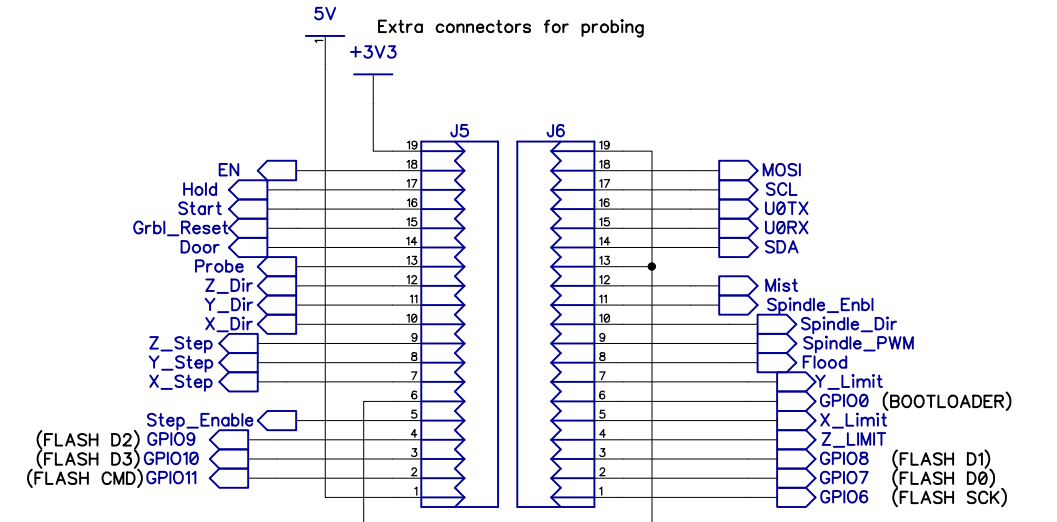


D

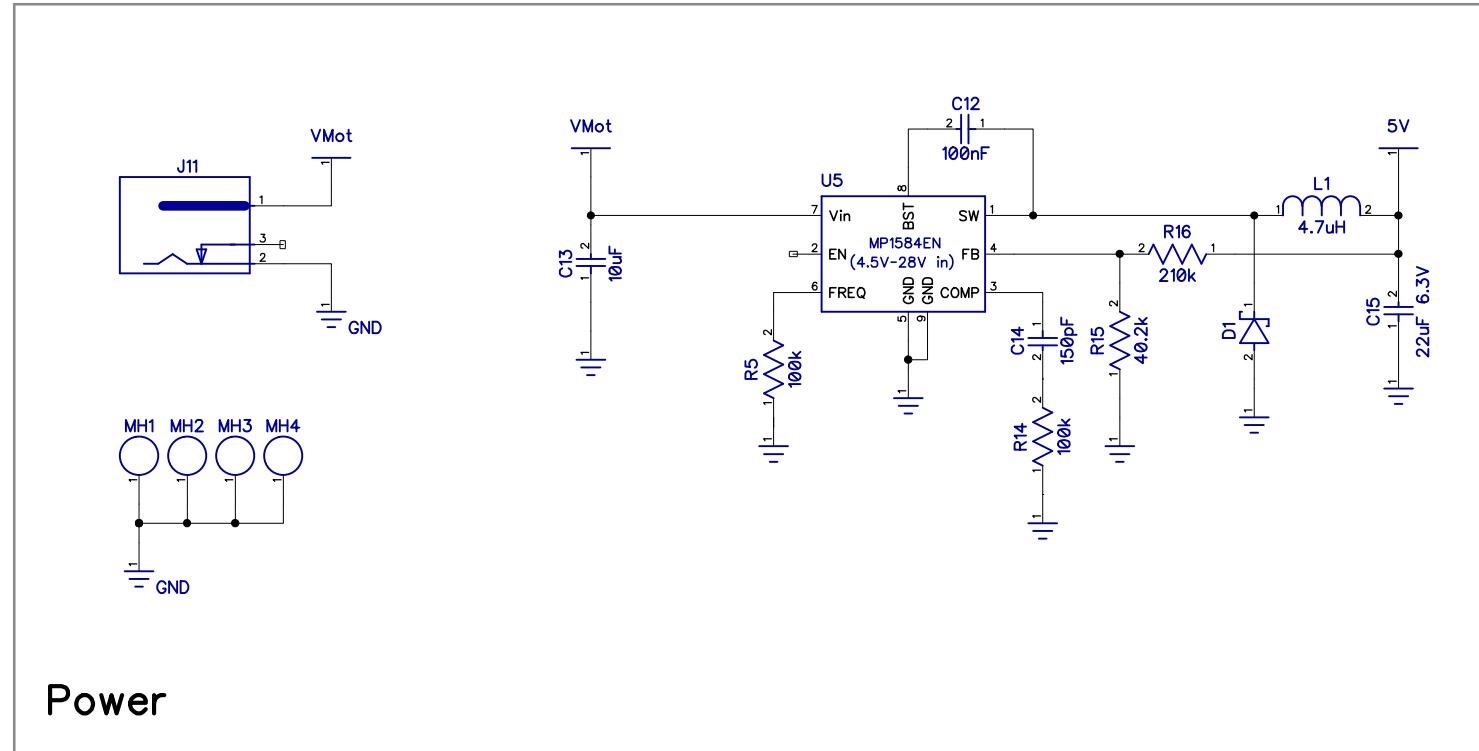


C



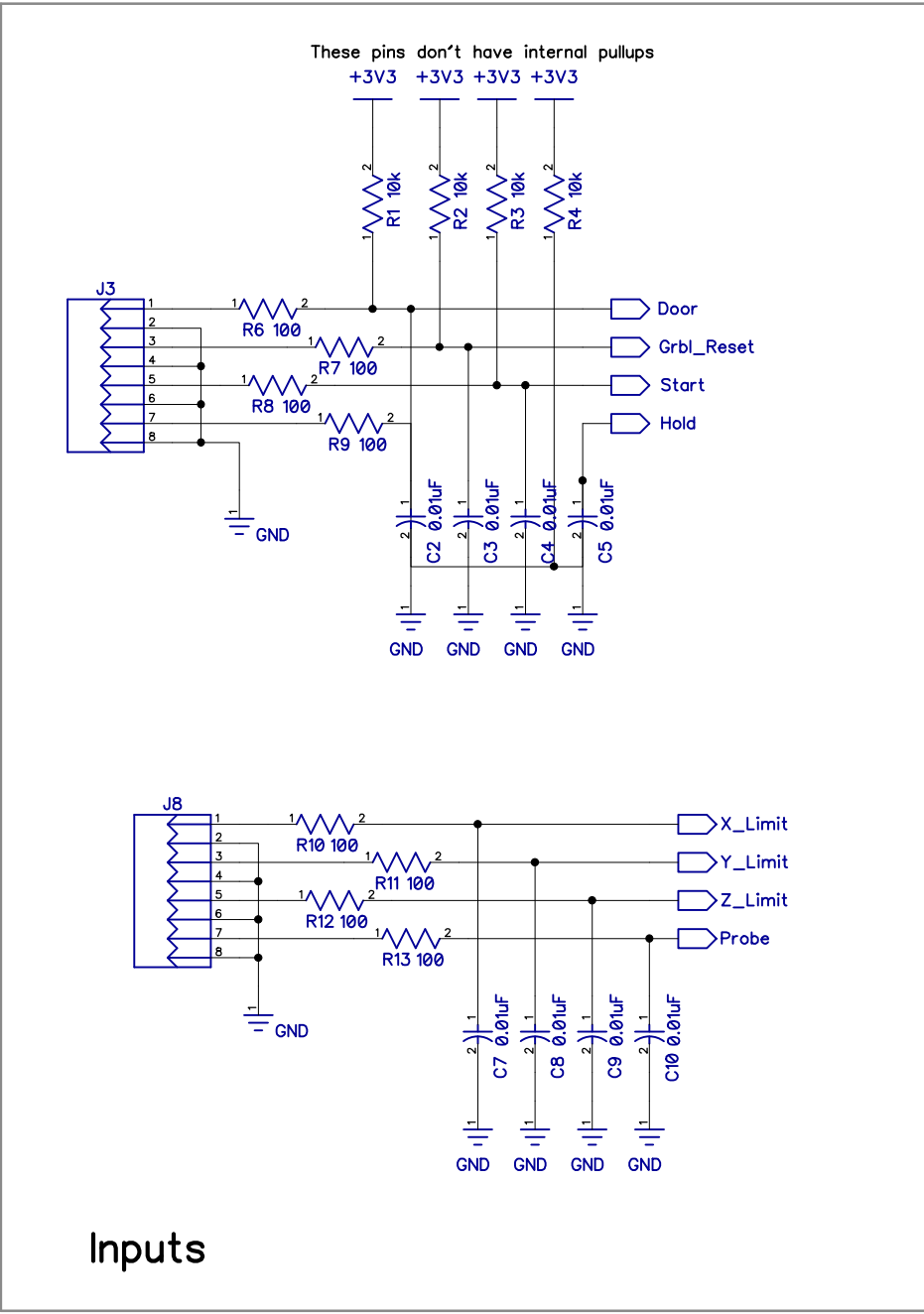
ESP32 Module

B

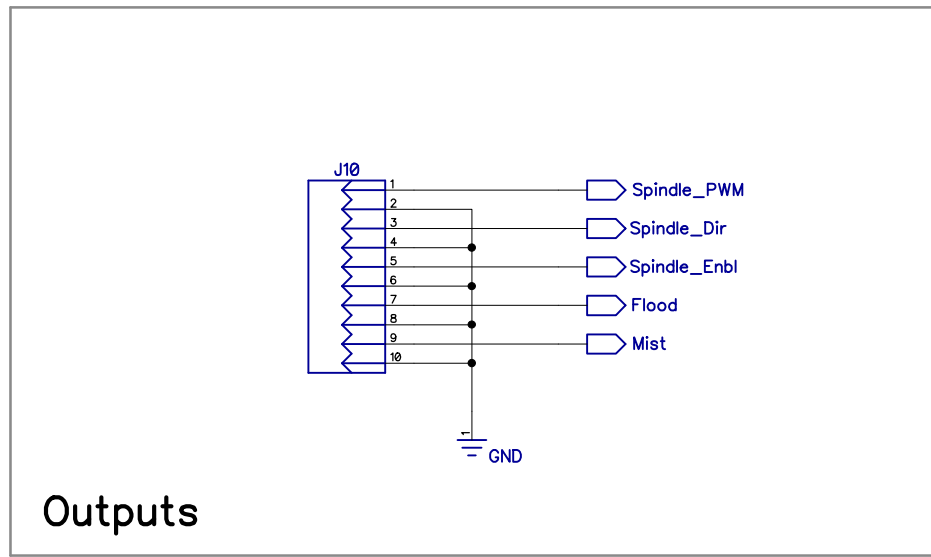


Power

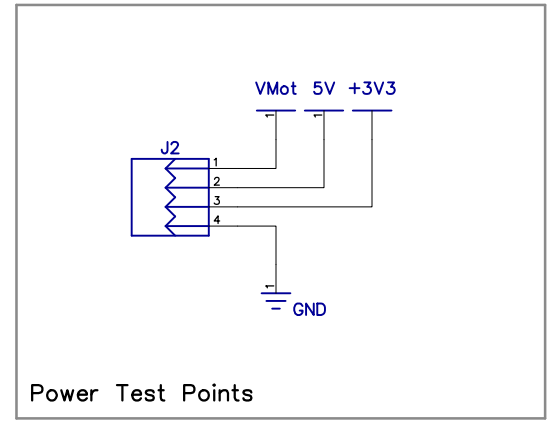
A



Inputs



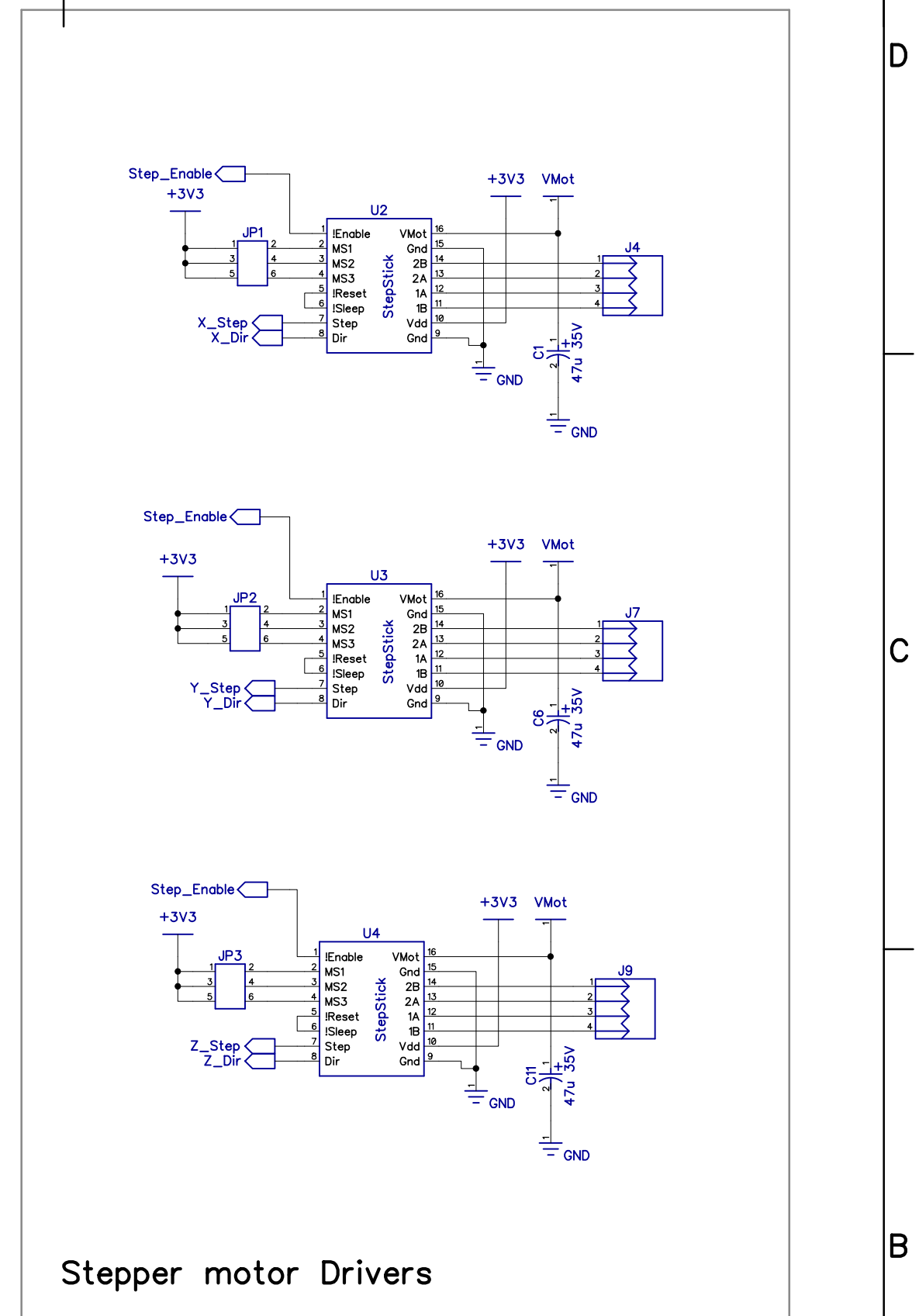
Outputs



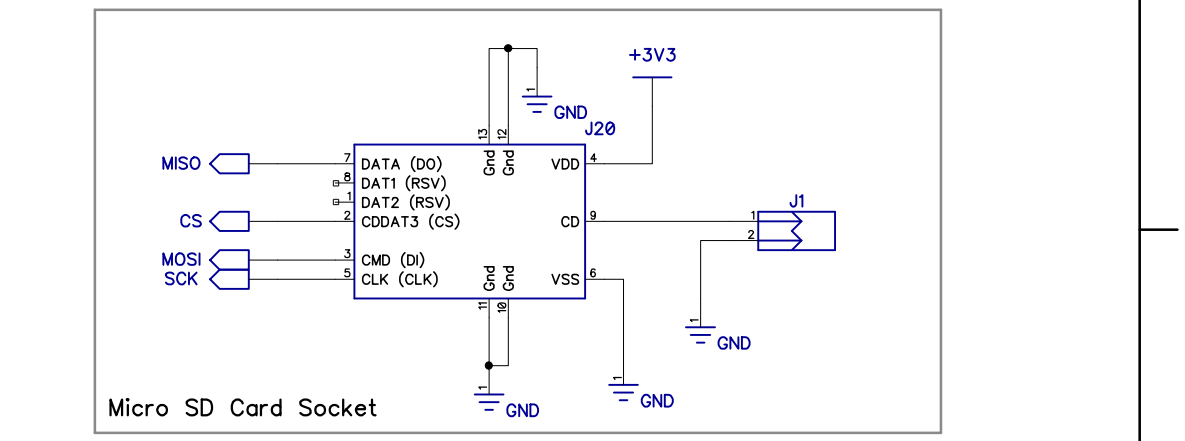
Power Test Points

2

REVISIONS				
ZONE	REV	DESCRIPTION	DATE	APPROVED



Stepper motor Drivers



Micro SD Card Socket

ESP32 CNC Test PCB V3.1				
A Test PCB for Grbl-ESP32				
Buildlog.net	SIZE	FSCM NO.	DWG NO.	REV 3.1
SCALE			Sheet 1	