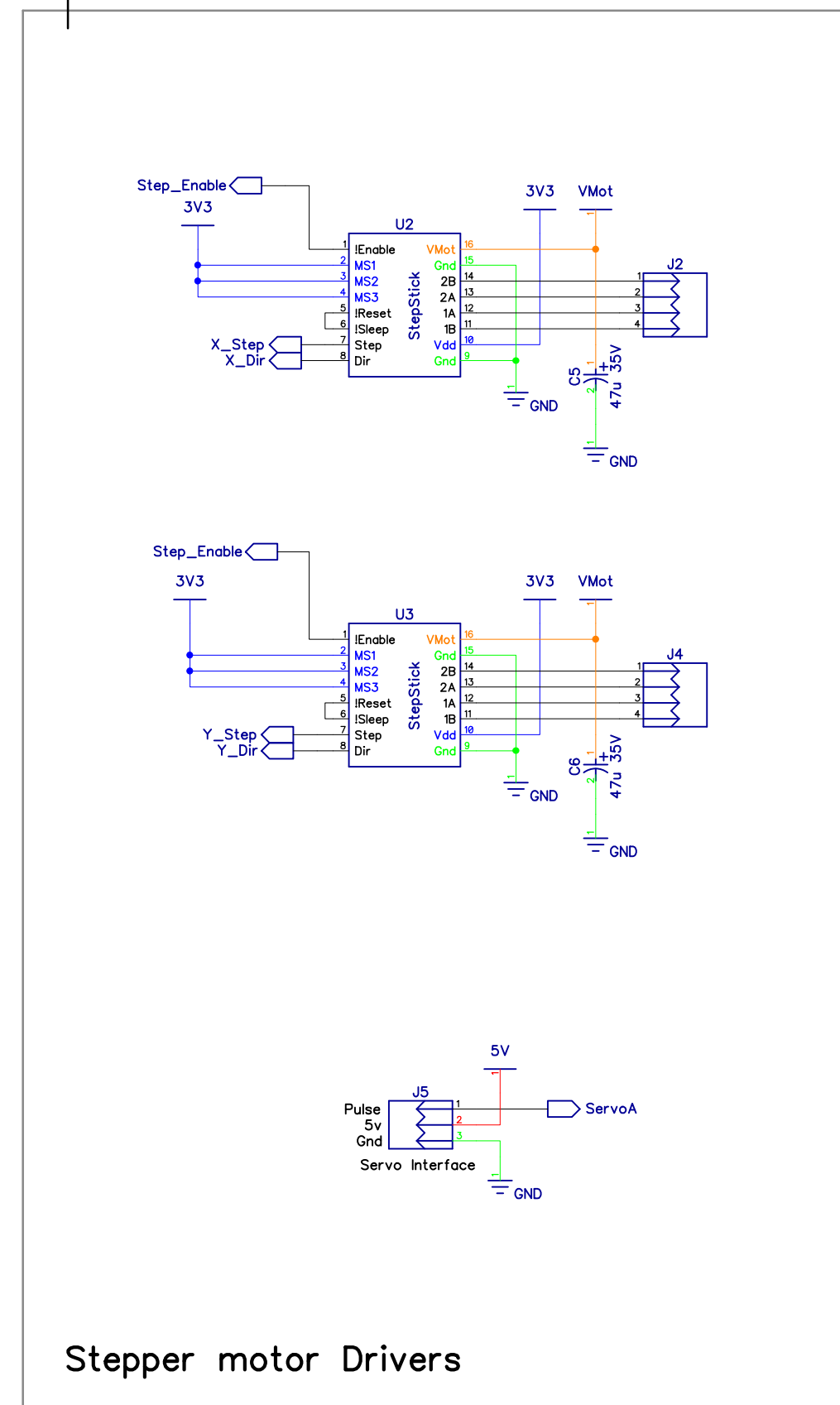
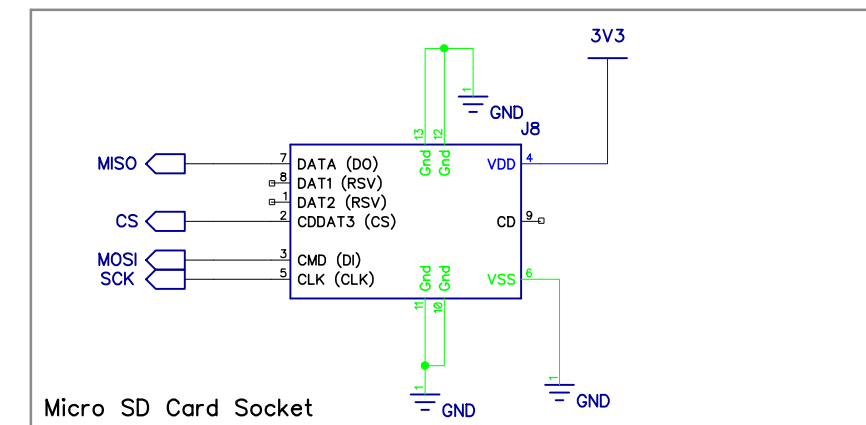


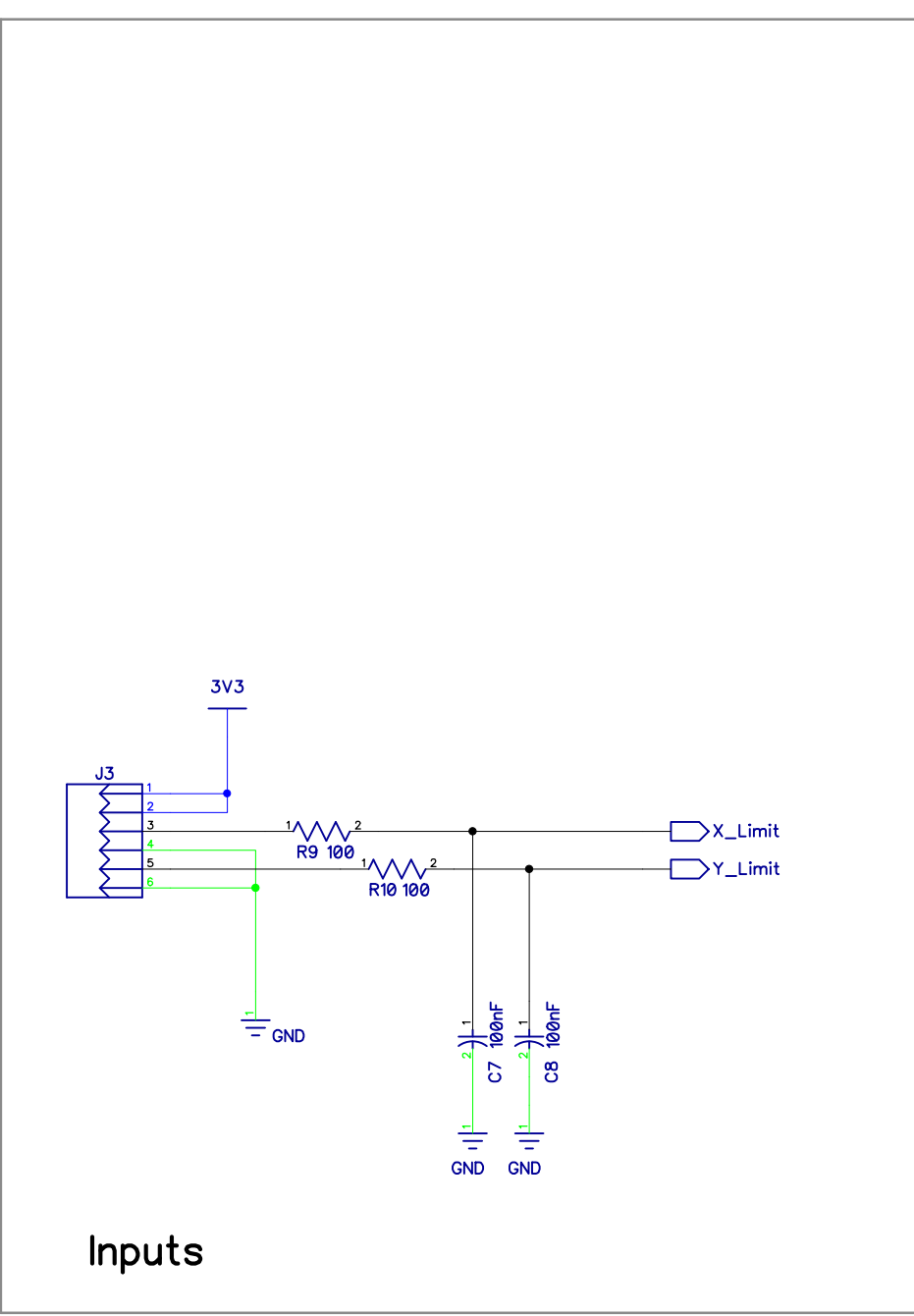
REVISIONS				
ZONE	REV	DESCRIPTION	DATE	APPROVED



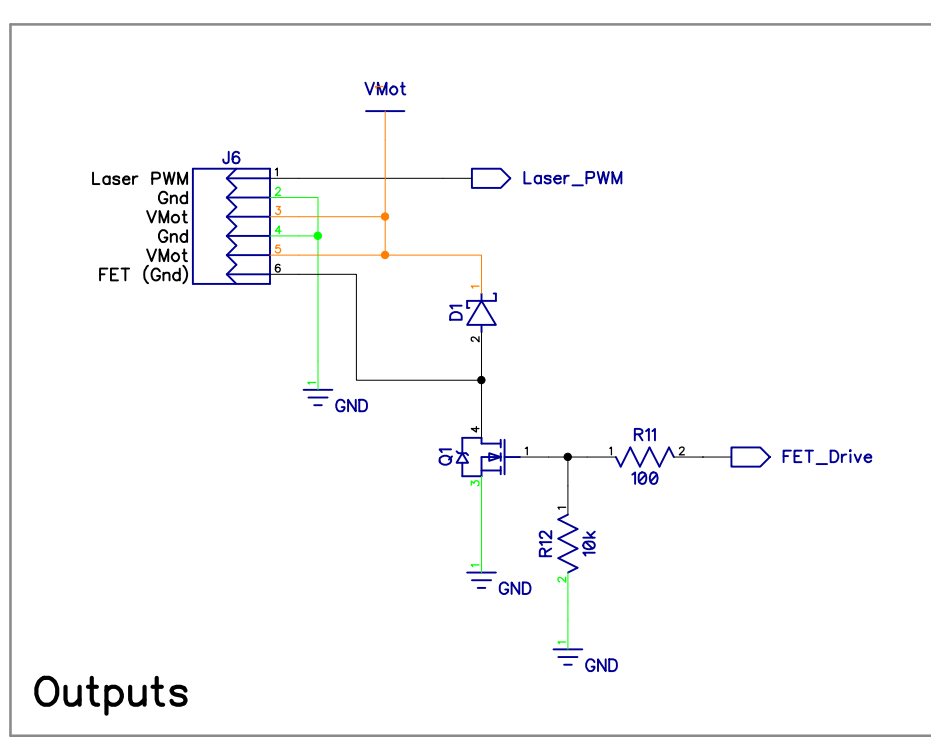
Stepper motor Drivers



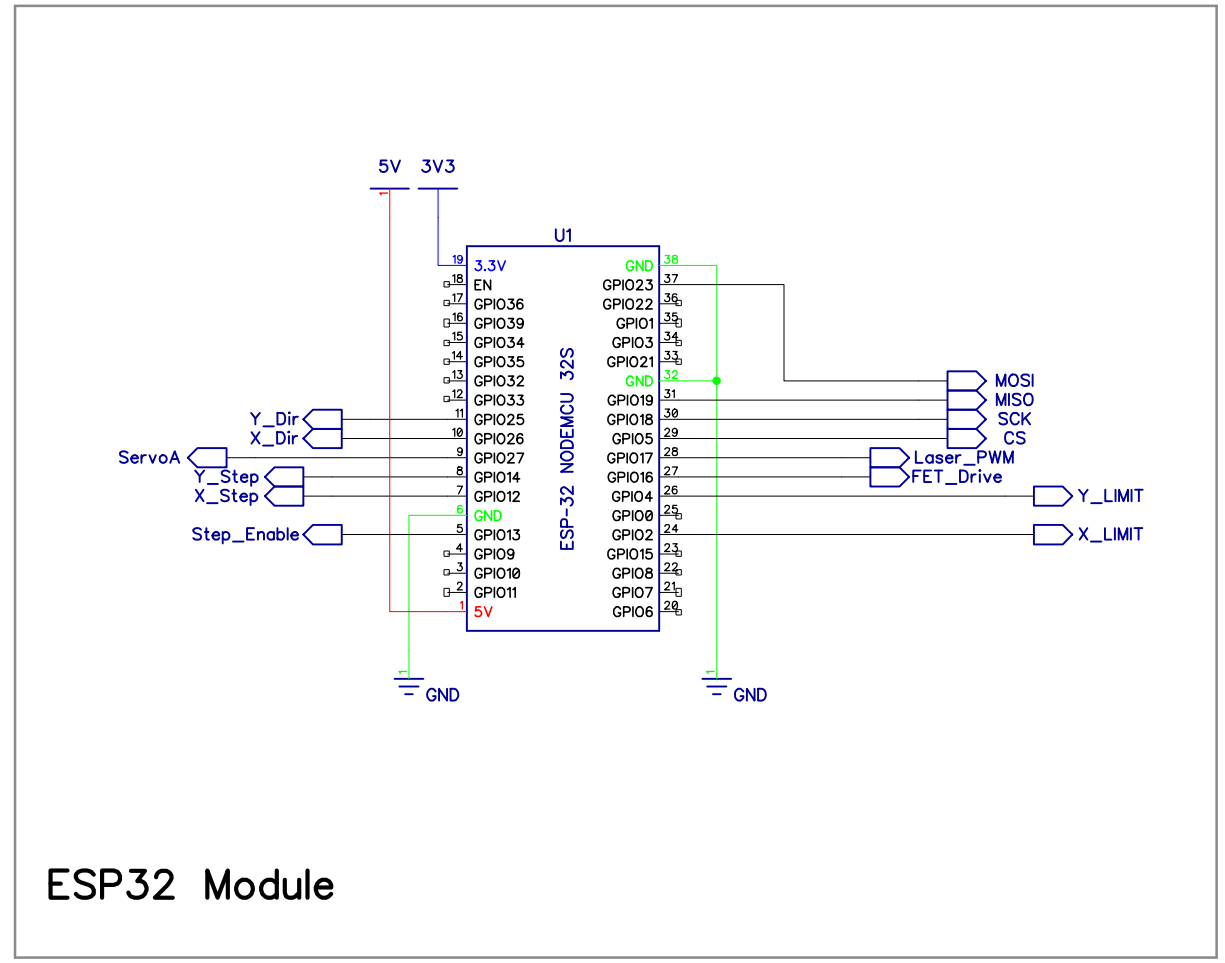
Micro SD Card Socket



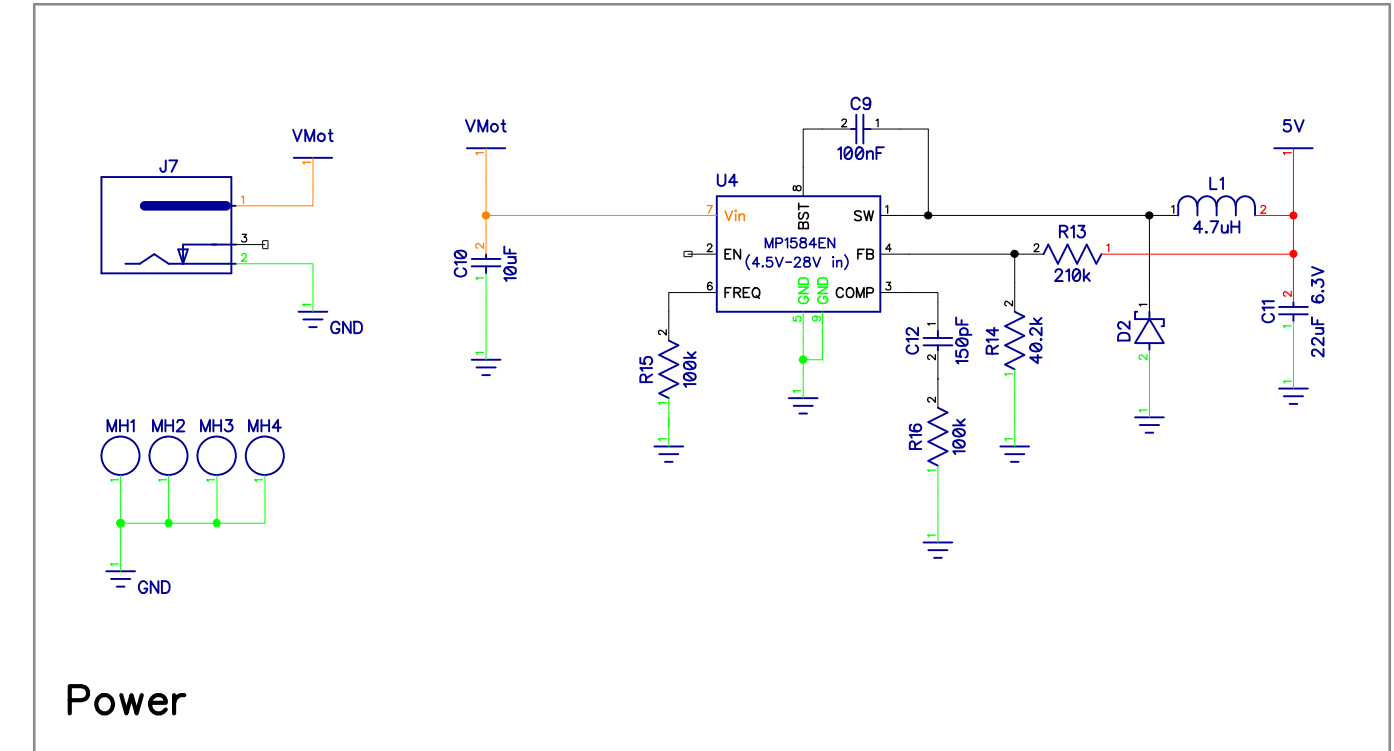
Inputs



Outputs



ESP32 Module



Power

ESP32 Pen / Laser Controller				
ESP32 Pen / Laser Controller				
Buildlog.net	SIZE	FSCM NO.	DWG NO.	REV 1.1
SCALE				Sheet 1