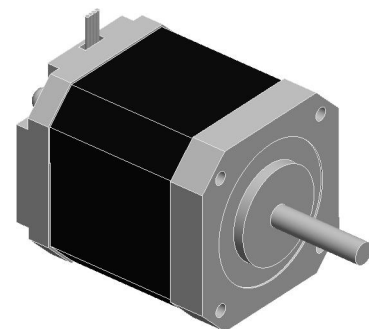
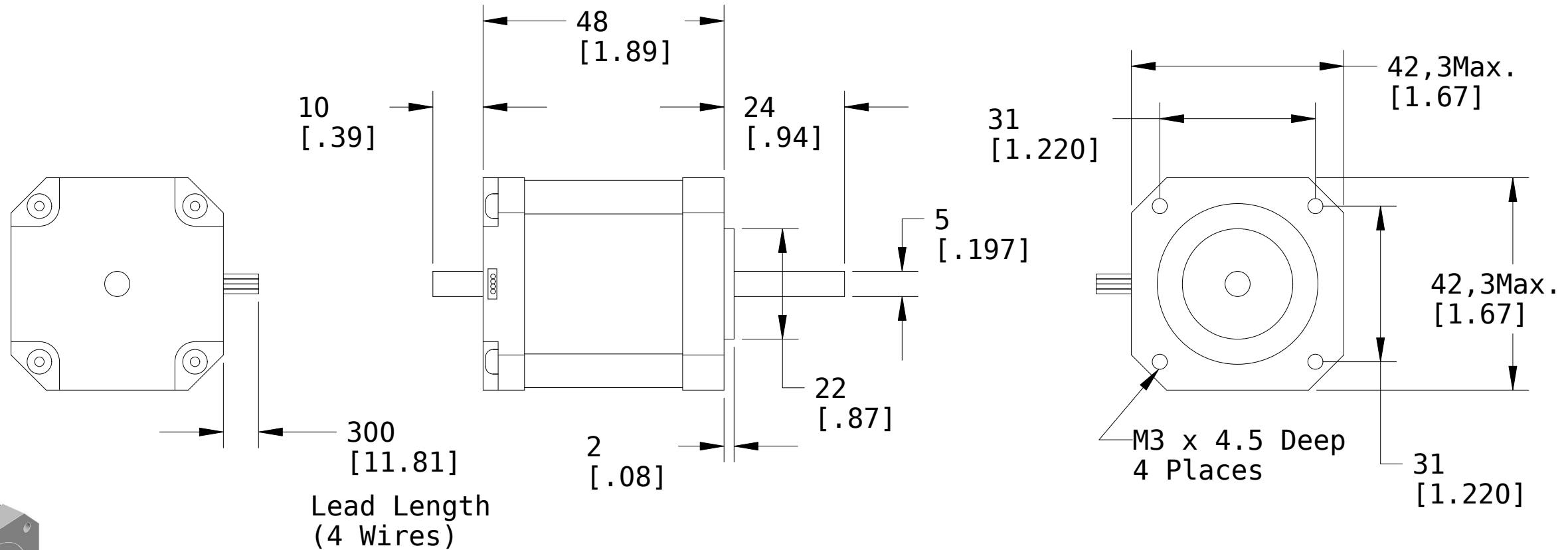
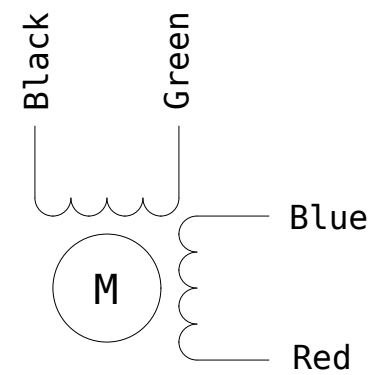


Rated Voltage	Current/Phase	Resistance/Phase	Inductance/Phase	Step Angle	Holding Torque
2.8V	1.68A	1.650hm	2.8mH	0.9°	4.4 kg-cm (60 in-oz)

REVISIONS			
SYM	DESCRIPTION	BY	DATE
1	ORIGINAL	BJD	7/16/10



UNLESS OTHERWISE SPECIFIED:

FRACTIONAL	± 1/32
DECIMAL	.XXX ± .010
	.XX ± .020
ANGULAR	± 1/2°

DO NOT SCALE

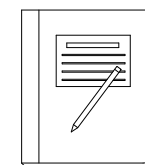
MATERIAL:
SPEC:

FINISH:
SPEC:

DRAWN	BJD	7/16/10
CHECKER		
MECH. ENGR.		
ELEC. ENGR.		
PROJ. ENGR.		
CHIEF ENGR.		

NEMA 17 Stepper Motor

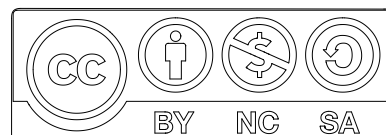
SCALE



www.buildlog.net

B10-10001

SHEET 1 OF 1



This work is licensed under a Creative Commons Attribution-Noncommercial-Share Alike 3.0 License