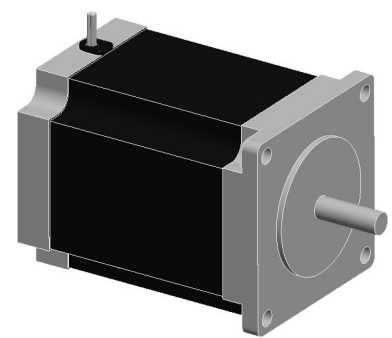
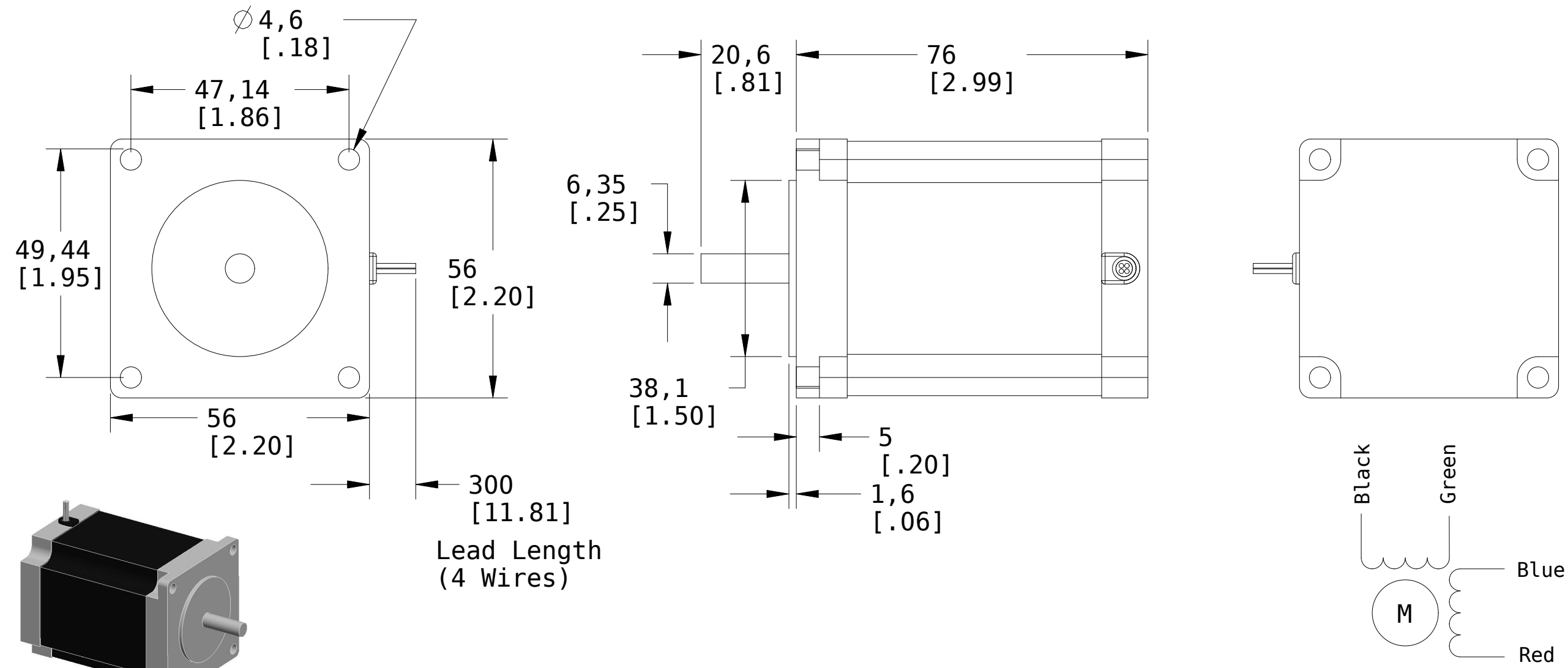


Rated Voltage	Current/Phase	Resistance/Phase	Inductance/Phase	Step Angle	Holding Torque
3.2V	2.8A	1.130hm	3.6mH	1.8°	18.9 kg-cm (260 in-oz)

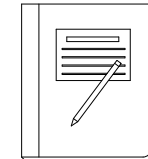
REVISIONS			
SYM	DESCRIPTION	BY	DATE
1	ORIGINAL	BJD	7/16/10



Lead Length
(4 Wires)

UNLESS OTHERWISE SPECIFIED:		DRAWN	BJD	7/16/10
FRACTIONAL	± 1/32	DO NOT SCALE	CHECKER	
DECIMAL	.XXX ± .010		MECH. ENGR.	
ANGULAR	.XX ± .020 ± 1/2°		ELEC. ENGR.	
MATERIAL: SPEC:		PROJ. ENGR.		
FINISH: SPEC:		CHIEF ENGR.		

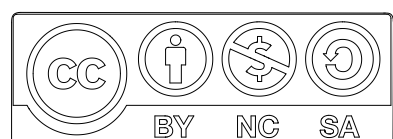
NEMA 23 Stepper Motor



www.buildlog.net

B10-10002

SHEET 1 OF 1



This work is licensed under a Creative Commons Attribution-Noncommercial-Share Alike 3.0 License

SCALE