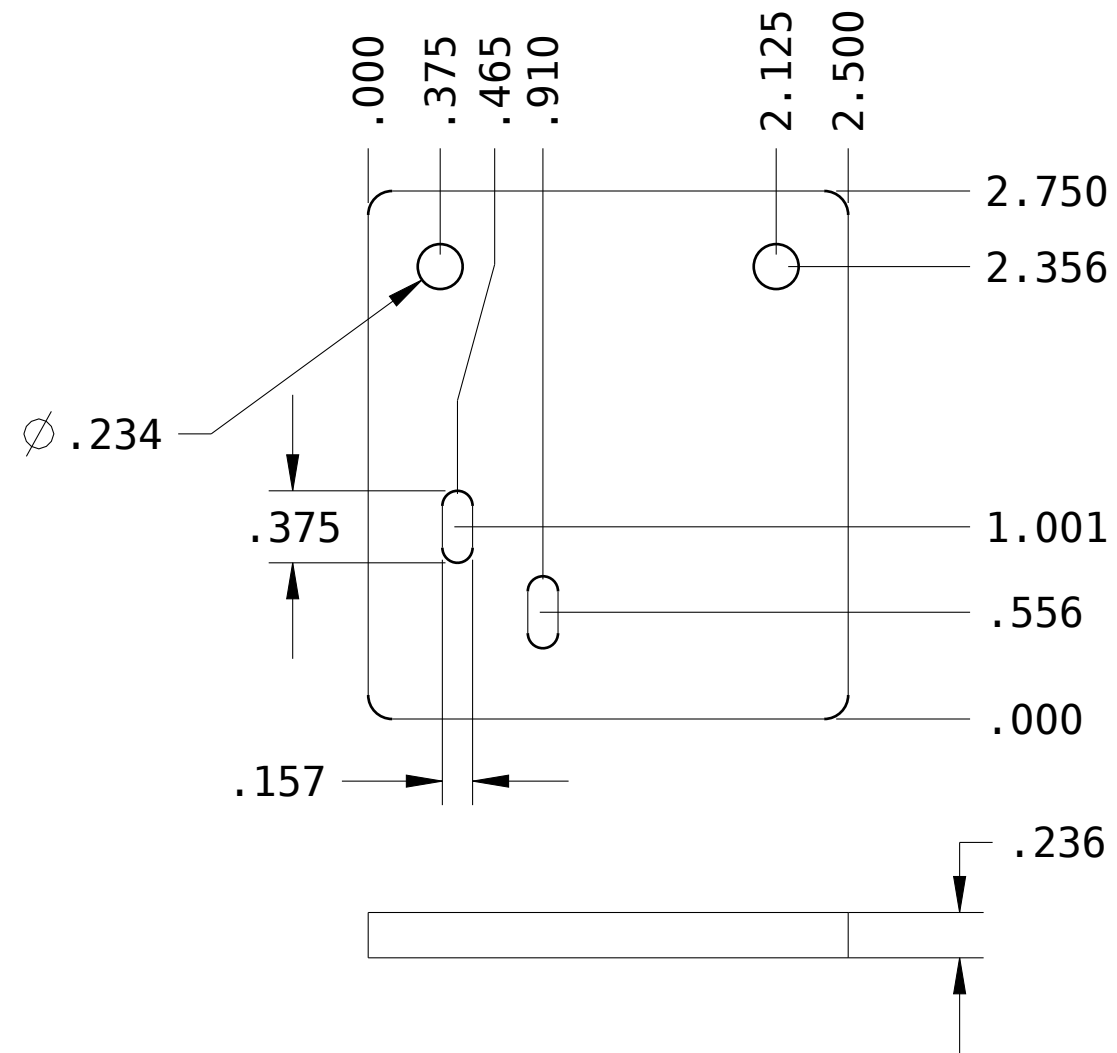
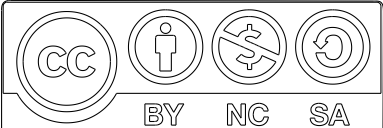
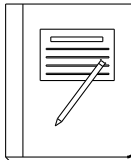


REVISIONS				APPROVALS		
SYM	DESCRIPTION	BY	DATE	ENGRG	PROD	Q.A.
1	ORIGINAL	BJD	1/30/10			




 This work is licensed under a Creative Commons Attribution-Noncommercial-Share Alike 3.0 License

UNLESS OTHERWISE SPECIFIED:		DRAWN	BJD	1/30/10	MIRROR MOUNT, REAR	 www.buildlog.net
FRACTIONAL	± 1/32	CHECKER				
DECIMAL	.XXX ± .010	MECH. ENGR.				
	.XX ± .020	ELEC. ENGR.				
ANGULAR	± 1/2°	PROJ. ENGR.				
MATERIAL: SPEC:		CHIEF ENGR.			SCALE	MIRROR MOUNT, REAR
FINISH: SPEC:						SHEET 1 OF 1