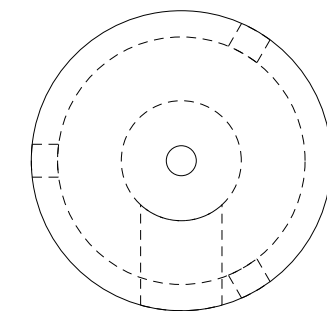
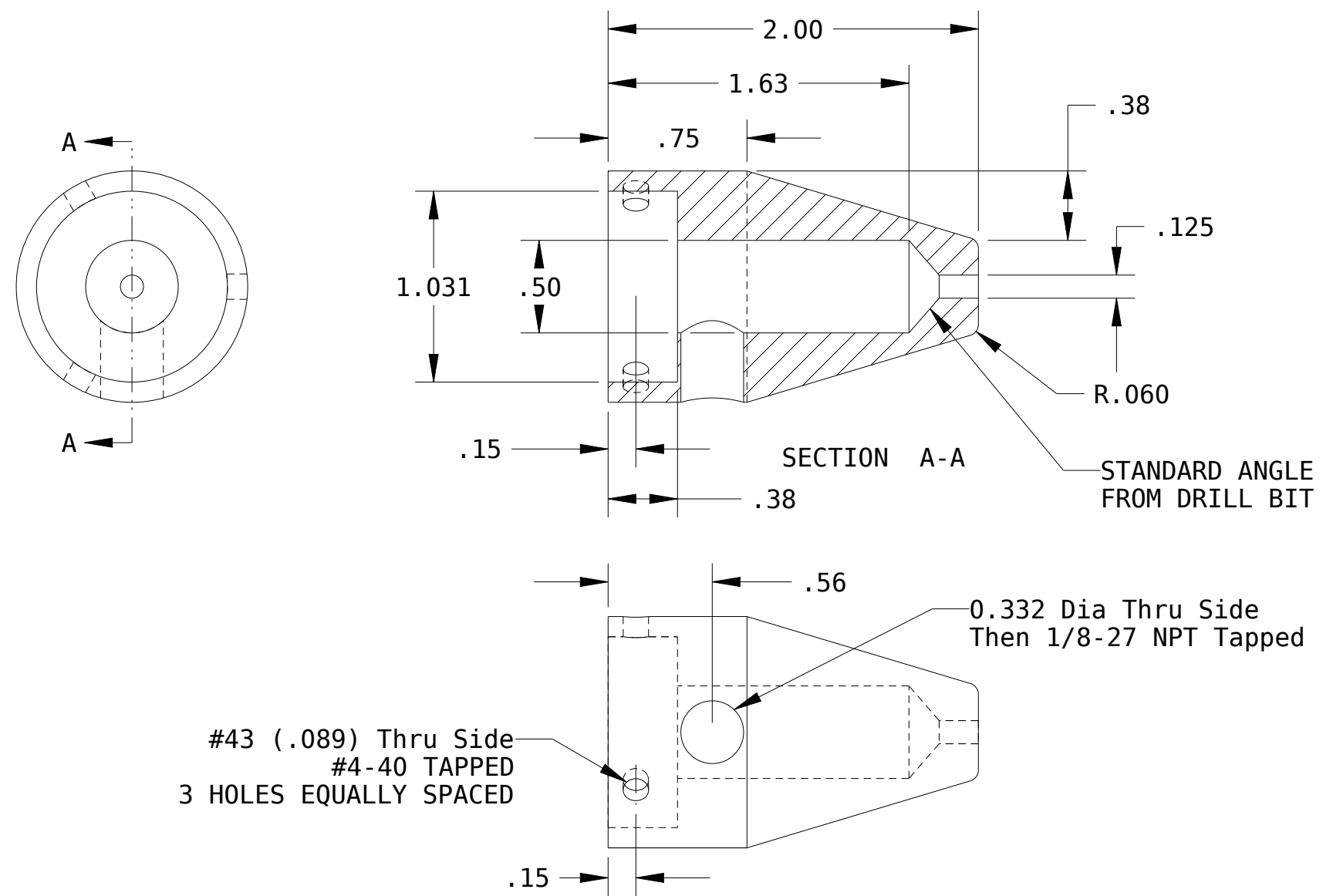


REVISIONS			
SYM	DESCRIPTION	BY	DATE
2	ORIGINAL	BJD	11/30/10



The work is licensed under a Creative Commons Attribution-Share Alike 3.0 License

UNLESS OTHERWISE SPECIFIED:	DRAWN	BJD	10/6/09
FRACTIONAL ± 1/32	CHECKER		
DECIMAL .XXX ± .010	MECH. ENGR.		
ANGULAR .XX ± .020	ELEC. ENGR.		
± 1/2°	PROJ. ENGR.		
MATERIAL: ALUMINUM 6061	CHIEF ENGR.		
SPEC:			
FINISH:			
SPEC:			

DO NOT SCALE

ASSIST AIR NOZZLE		SCALE	



www.buildlog.net

NOZZLE

SHEET 1 OF 1