

ITEM	SYM	PART NUMBER	QTY	DESCRIPTION
1		CORNER BRACKET	8	MISUMI HBLT55
2		COVER_HINGE	1	PIANO HINGE
3		COVER_SPRING_PLATE	2	COVER GAS SPRING PLATE
4		COVER_WINDOW	1	COVER WINDOW
5	F	ENCLOSURE COVER FRONT	1	COVER_SKIN_FRONT
6		ENCLOSURE TOP	1	SKIN_TOP
7		EXT_2020_COVER_1	3	MISUMI HF55-2020
8		EXT_2020_COVER_2	2	MISUMI HF55-2020
9		EXT_2020_COVER_3	2	MISUMI HF55-2020
10		FHMSM305S	12	FLATHEAD SCREW M3-5MM
11		FLW065S	38	FLATWASHER #6
12		FLW105S	30	FLATWASHER #10
13		HN06325S	26	HEX NUT #6-32
14		HNNK55	50	M5 T-SLOT NUT
15		M3 T-SLOT-NUT	12	MISUMI HNNK-5-3
16		SHMS063212S	22	SOCKET HEAD SCREW #6-32 X 3/4
17	E	SHMSM510S	50	SOCKET HEAD M5 x 10mm

REVISIONS				APPROVALS		
SYM	DESCRIPTION	BY	DATE	ENGRG	PROD	Q.A.
1	ORIGINAL	BJD	4/30/10			

F

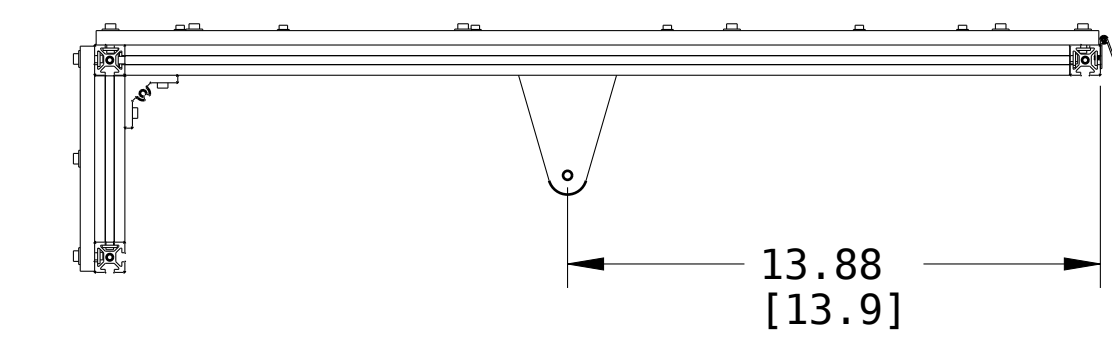
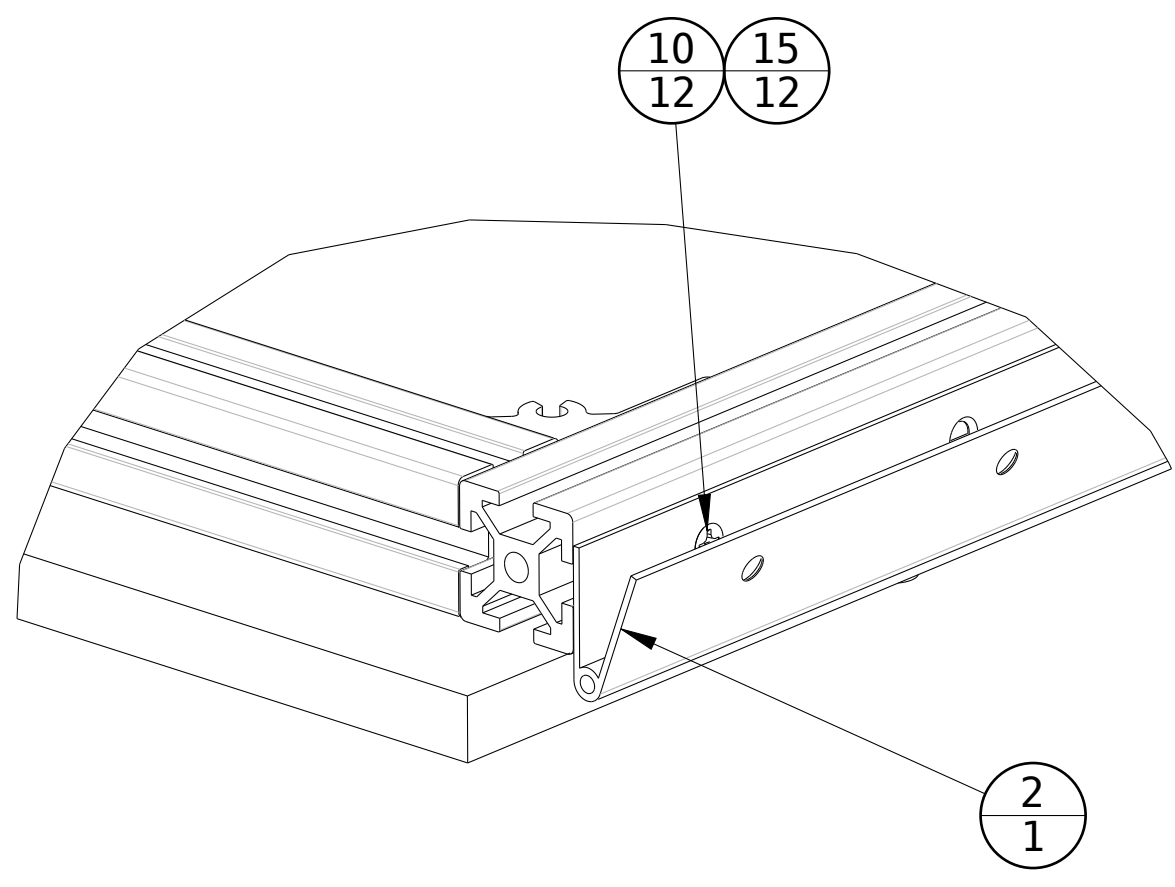
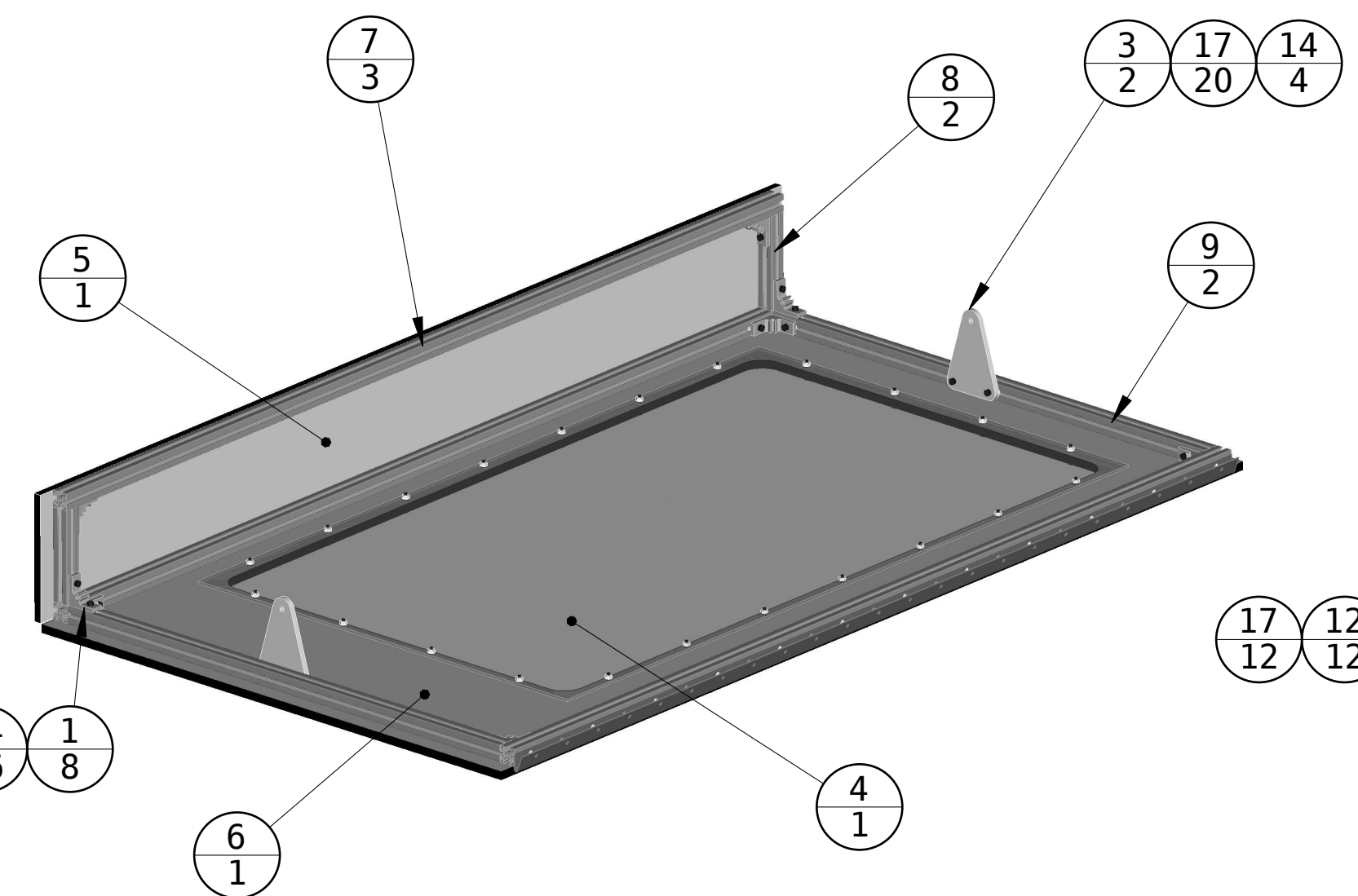
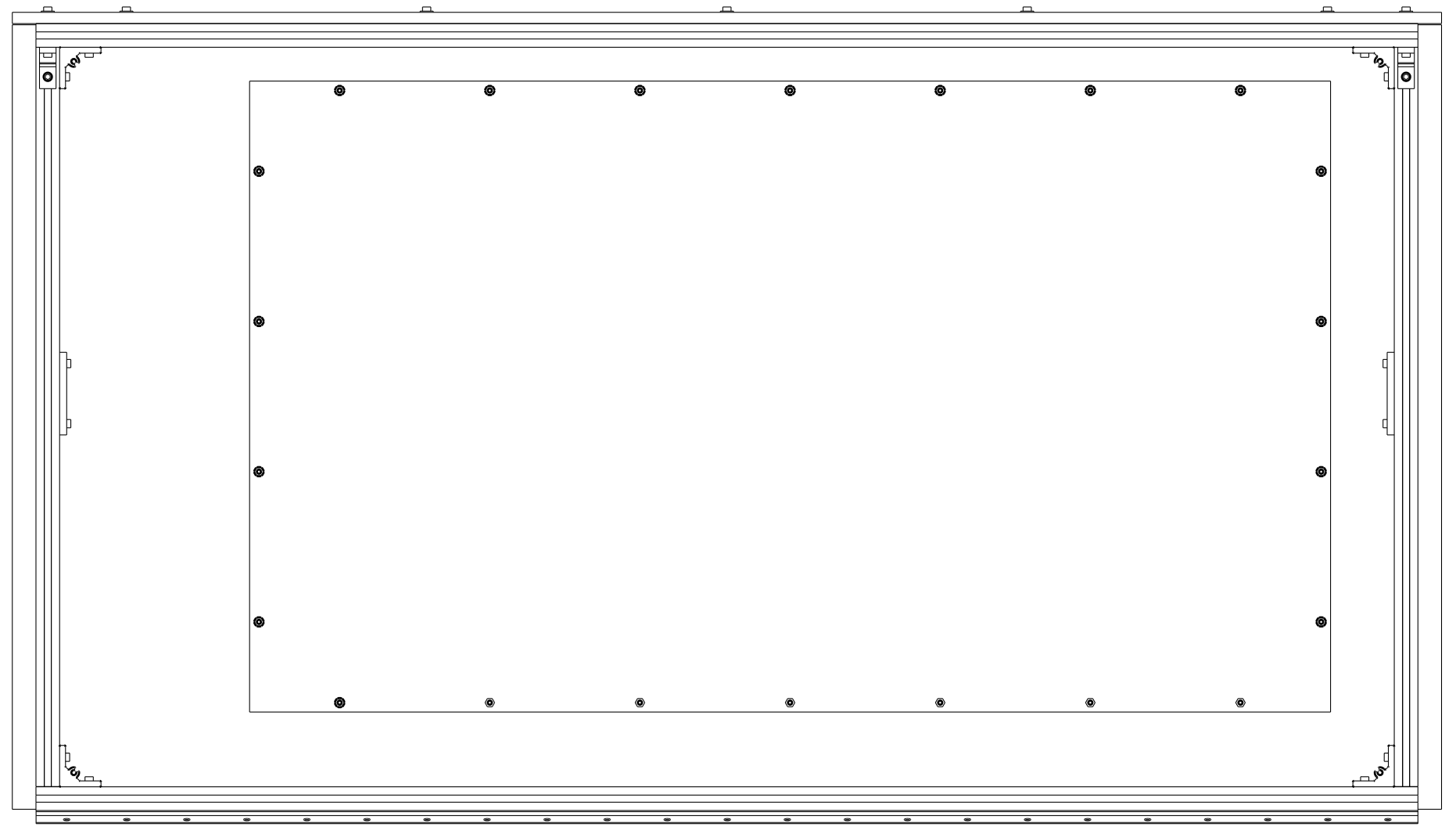
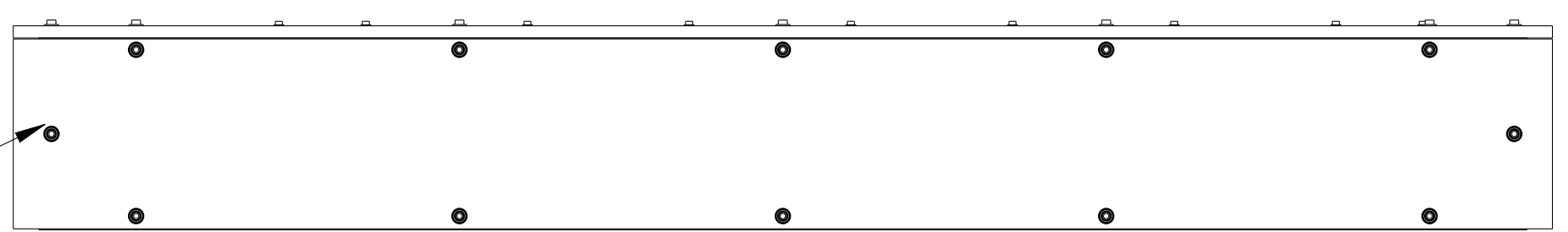
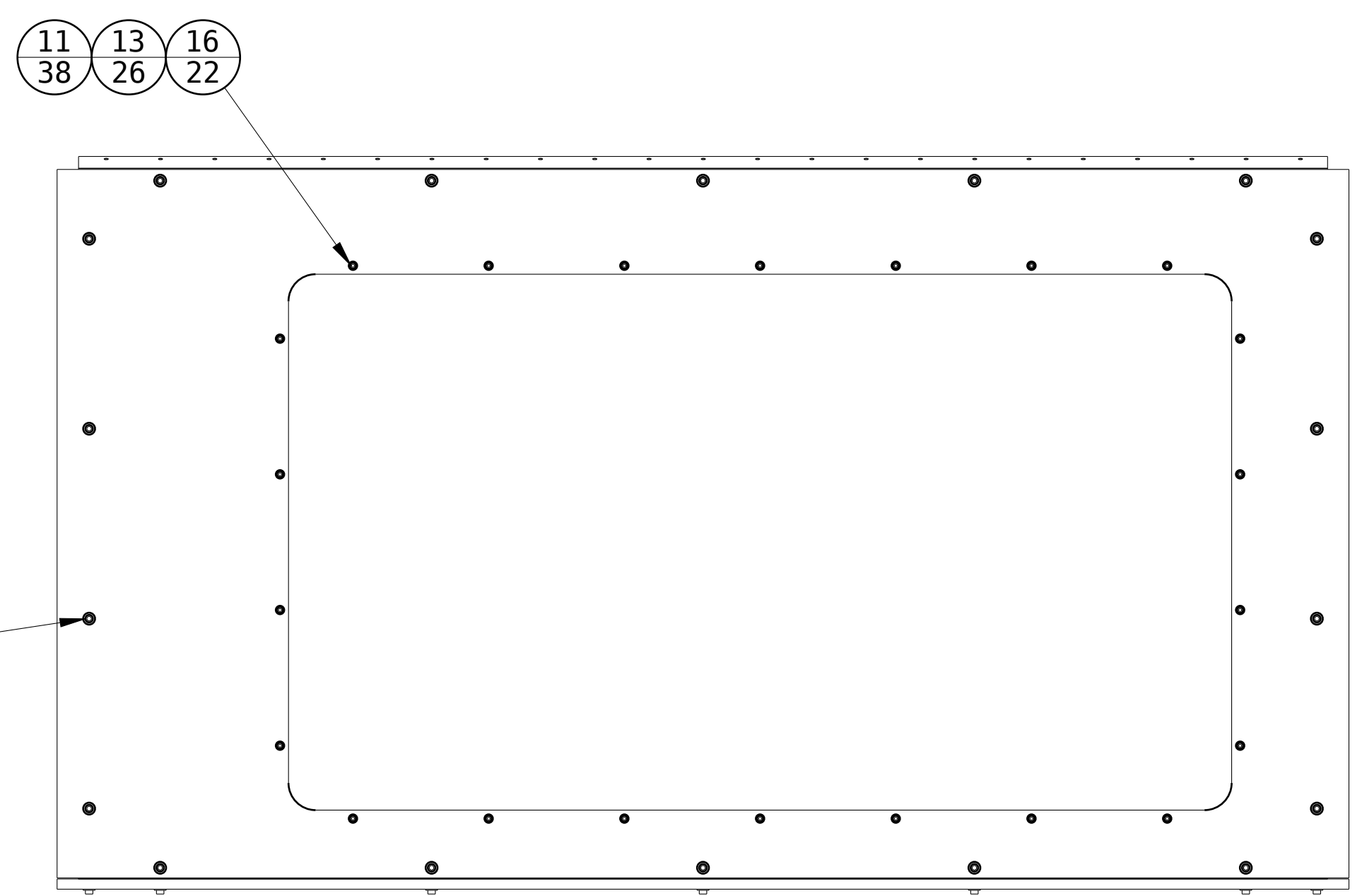
E

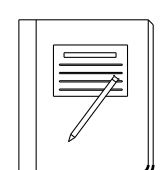
D

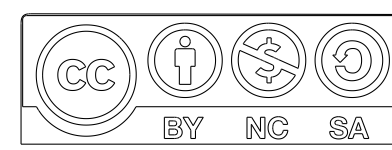
C

B

A



UNLESS OTHERWISE SPECIFIED: FRACTIONAL ± 1/32 DECIMAL .XXX ± .010 ANGULAR .XX ± .020 ± 1/2°	DRAWN	BJD	4/30/10	<b>TOP COVER ASSEMBLY</b>  SCALE	 <a href="http://www.buildlog.net">www.buildlog.net</a> <b>TOP COVER</b> SHEET 1 OF 1	
	DO NOT SCALE		CHECKER			
	MATERIAL SPEC:		ELEC. ENGR.			
	FINISH SPEC:		PROJ. ENGR.			
		CHIEF ENGR.				

  
 This work is licensed under a Creative Commons Attribution-Noncommercial-Share Alike 3.0 License