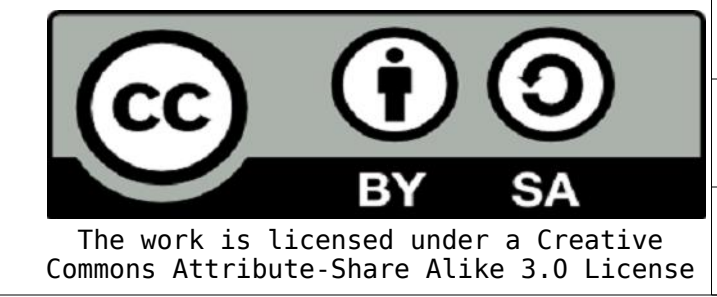
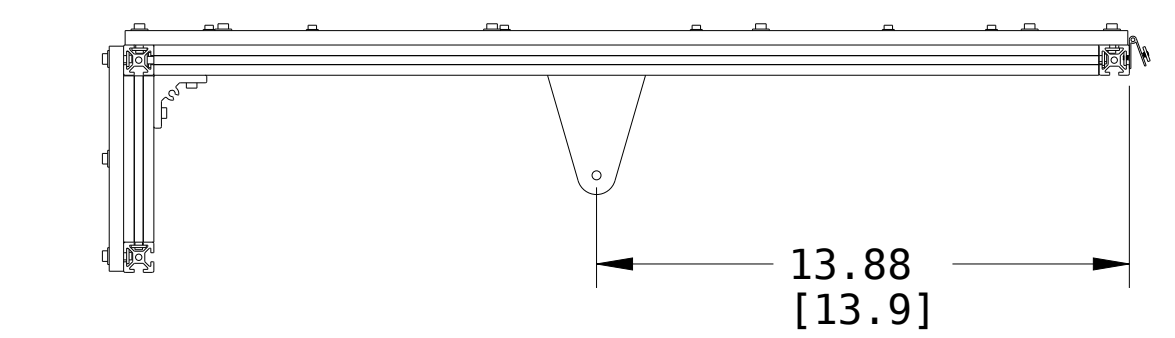
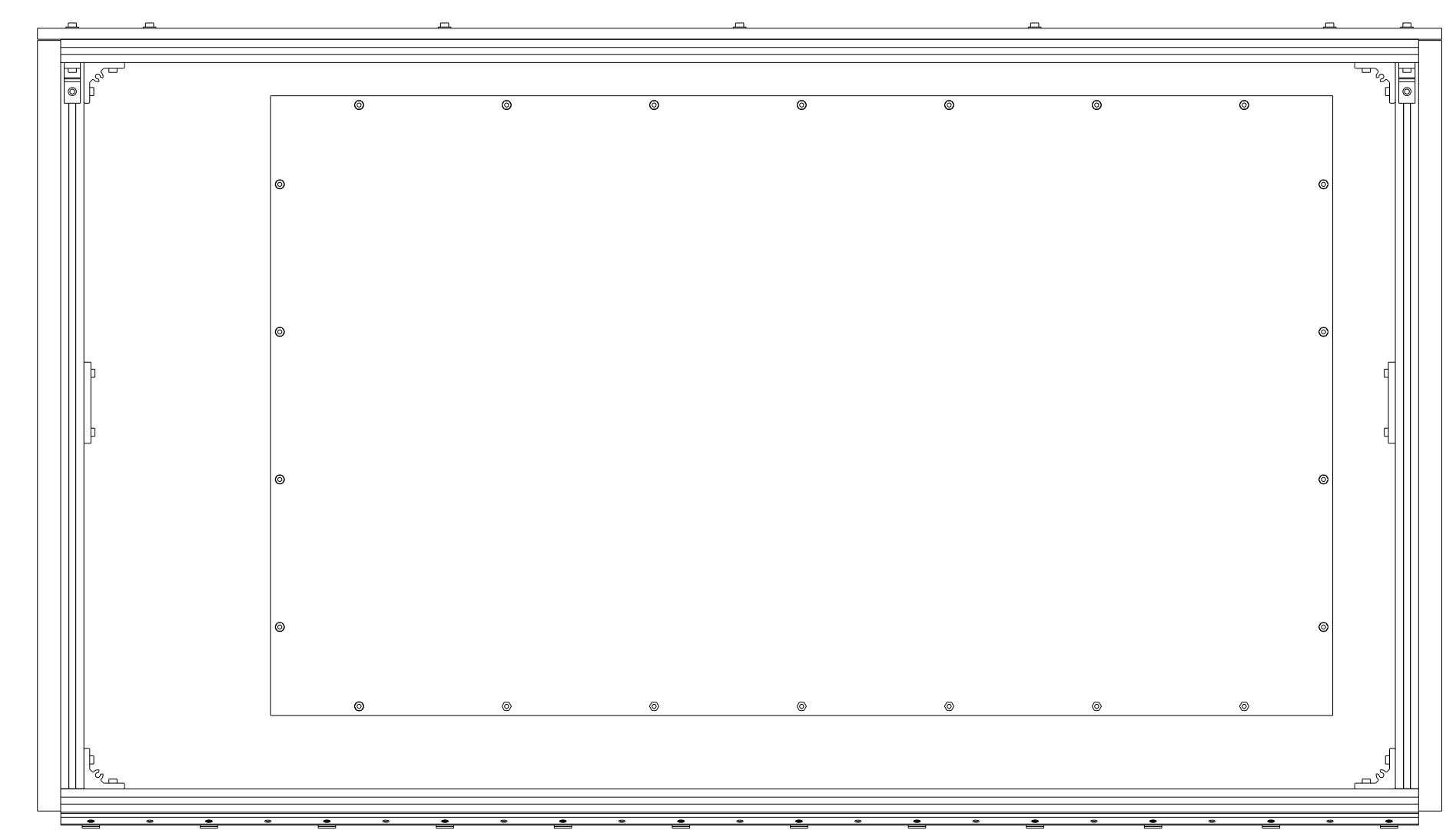
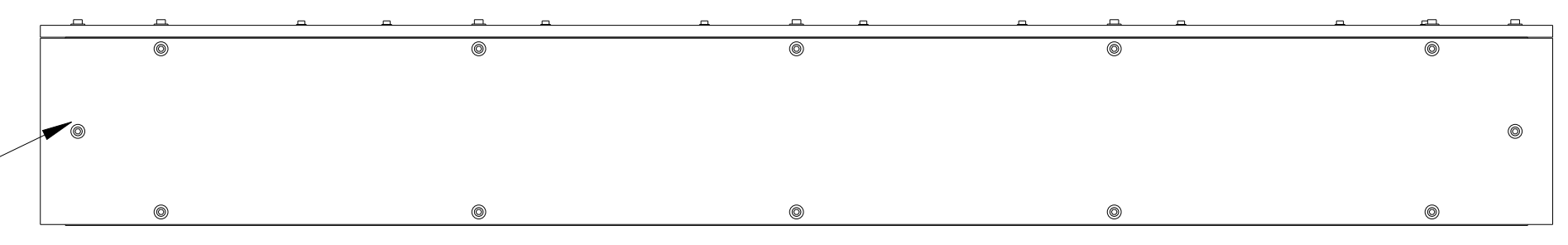
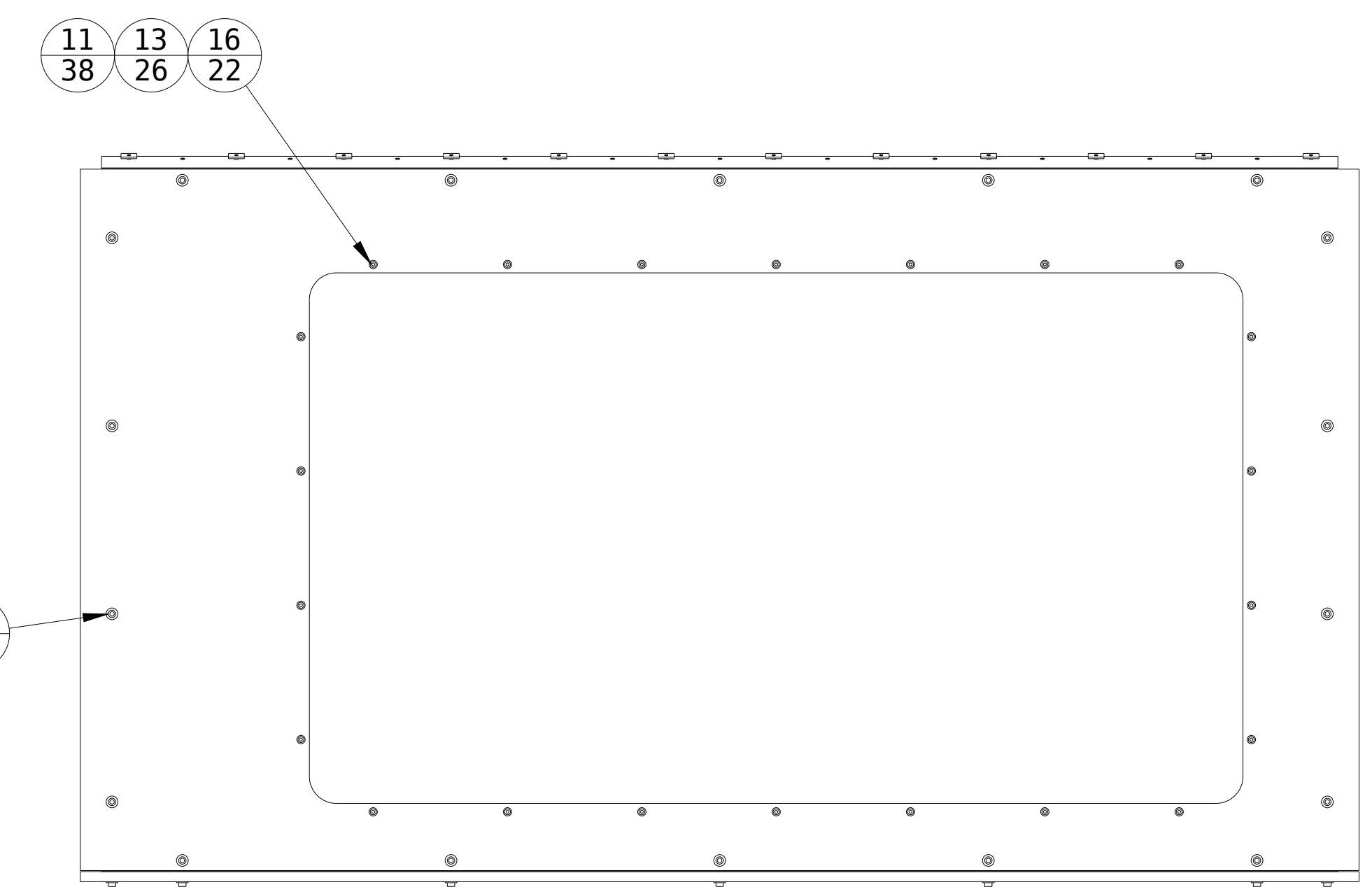
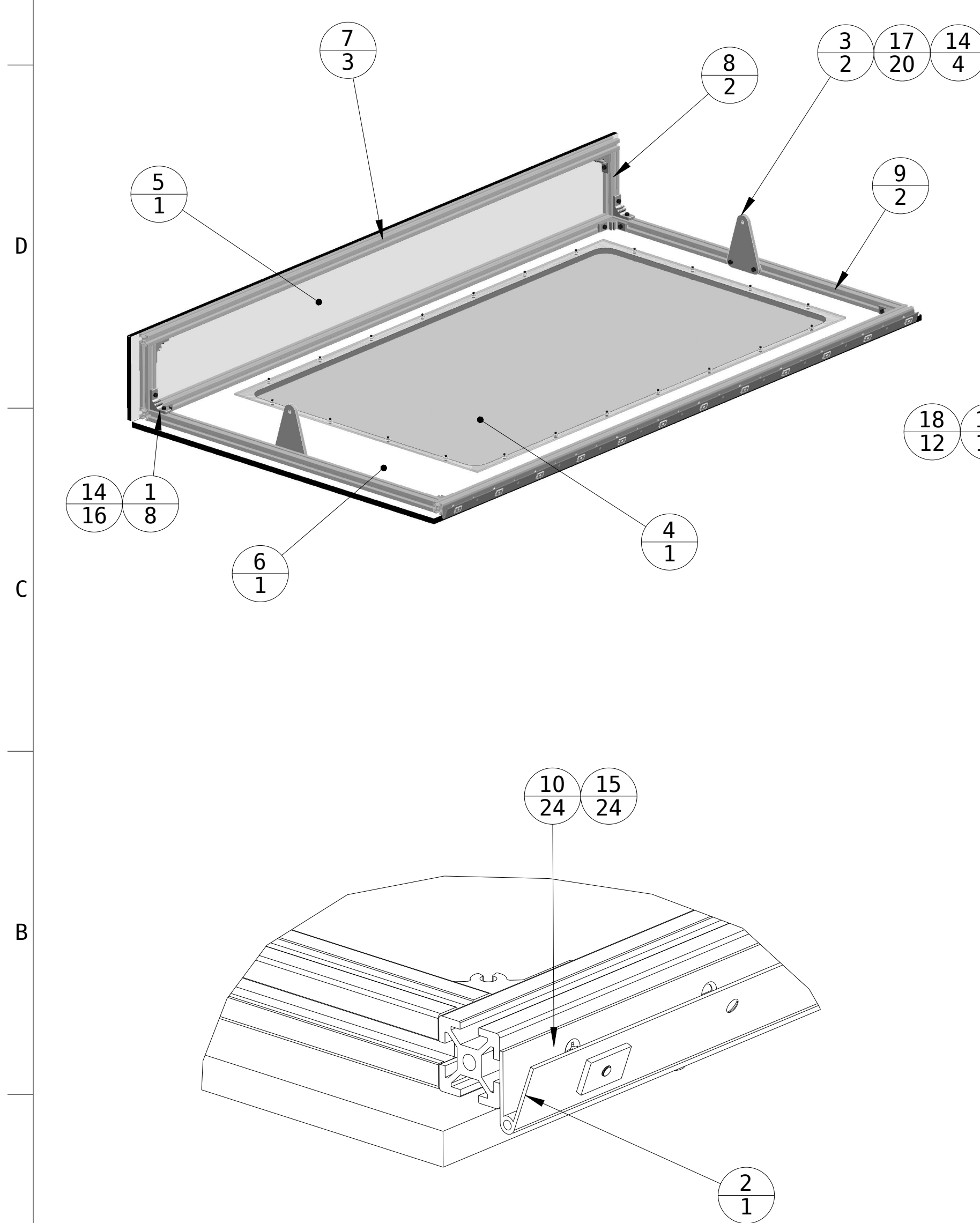


ITEM	SYM	PART NUMBER	QTY	DESCRIPTION
1		CORNER BRACKET	8	MISUMI HBLT55
2		COVER_HINGE	1	PIANO HINGE
3		COVER_SPRING_PLATE	2	COVER GAS SPRING PLATE
4		COVER_WINDOW	1	COVER WINDOW
5	F	ENCLOSURE COVER FRONT	1	COVER_SKIN_FRONT
6		ENCLOSURE TOP	1	SKIN_TOP
7		EXT_2020_COVER_1	3	MISUMI HFS5-2020
8		EXT_2020_COVER_2	2	MISUMI HFS5-2020
9		EXT_2020_COVER_3	2	MISUMI HFS5-2020
10		FHMSM305S	24	flat Head Screw M3 x 5mm
11		FLW06SS	38	FLATWASHER #6
12		FLW10SS	30	FLATWASHER #10
13		HN0632SS	26	HEX NUT #6-32
14		HNKK55	50	M5 T-SLOT NUT
15		M3 T-SLOT-NUT	24	MISUMI HNNK-5-3
16		SHMS063212S	22	SOCKET HEAD SCREW #6-32 X 1/2
17	E	SHMSM512S	20	Socket Head Screw M5 x 12mm
18		SHMSM516S	30	Socket Head Screw M5 x 16mm

REVISIONS			
SYM	DESCRIPTION	BY	DATE
1	ORIGINAL	BJD	4/30/10
2	Updated	BJD	10/28/10



UNLESS OTHERWISE SPECIFIED:		DRAWN	BJD	4/30/10	TOP COVER ASSEMBLY	
FRACTIONAL	± 1/32	DO NOT SCALE	CHECKER			www.buildlog.net
DECIMAL	.xxx ± .010					
ANGULAR	.xx ± .020 ± 1/2°					
MATERIAL SPEC:		MECH. ENGR.				
FINISH SPEC:		ELEC. ENGR.				
		PROJ. ENGR.				
		CHIEF ENGR.				
SCALE					TOP COVER	
					SHEET 1 OF 1	