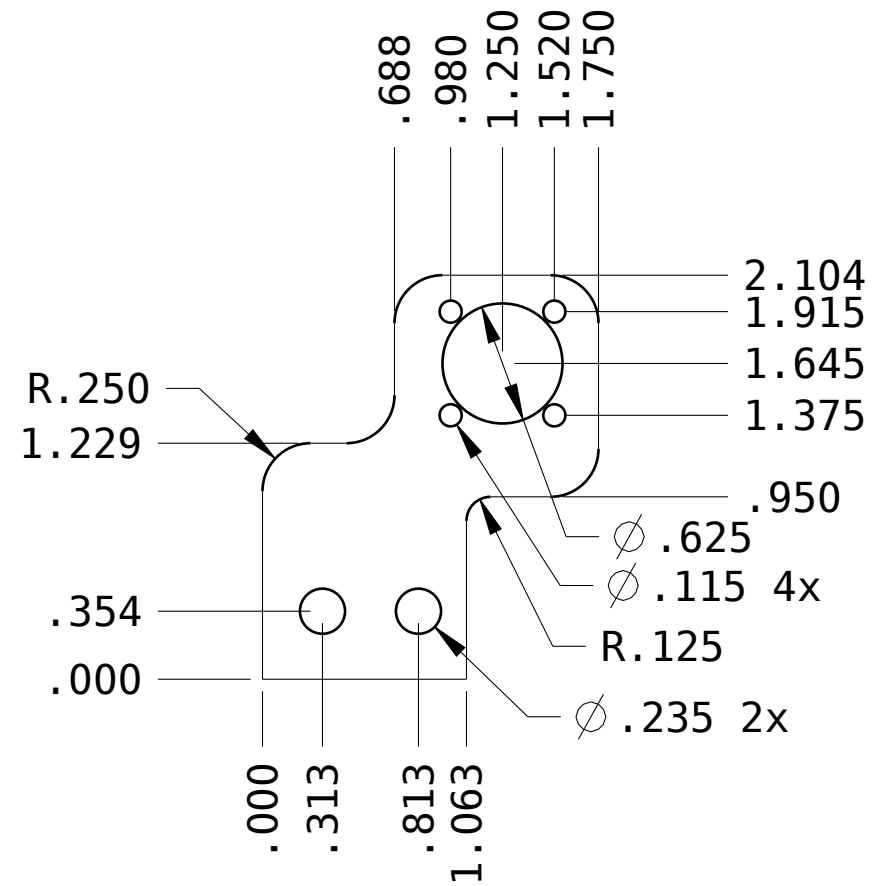
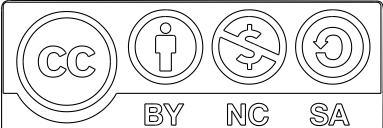
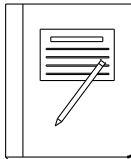


REVISIONS				APPROVALS		
SYM	DESCRIPTION	BY	DATE	ENGRG	PROD	Q.A.
1	ORIGINAL	BJD	5/3/10			
2	Increased offset for more beam clearance	BJD	5/16/10			





 This work is licensed under a Creative Commons Attribution-Noncommercial-Share Alike 3.0 License

UNLESS OTHERWISE SPECIFIED:		DRAWN	BJD	5/3/10	X AXIS IDLER BRACKET	 www.buildlog.net
FRACTIONAL $\pm 1/32$	DO NOT SCALE	CHECKER				
DECIMAL .XXX $\pm .010$		MECH. ENGR.				
.XX $\pm .020$		ELEC. ENGR.				
ANGULAR $\pm 1/2^\circ$	PROJ. ENGR.					
MATERIAL: 6mm Acrylic	CHIEF ENGR.					X_IDLER_BRKT
SPEC:					SHEET 1 OF 1	
FINISH:						
SPEC:						
				SCALE		