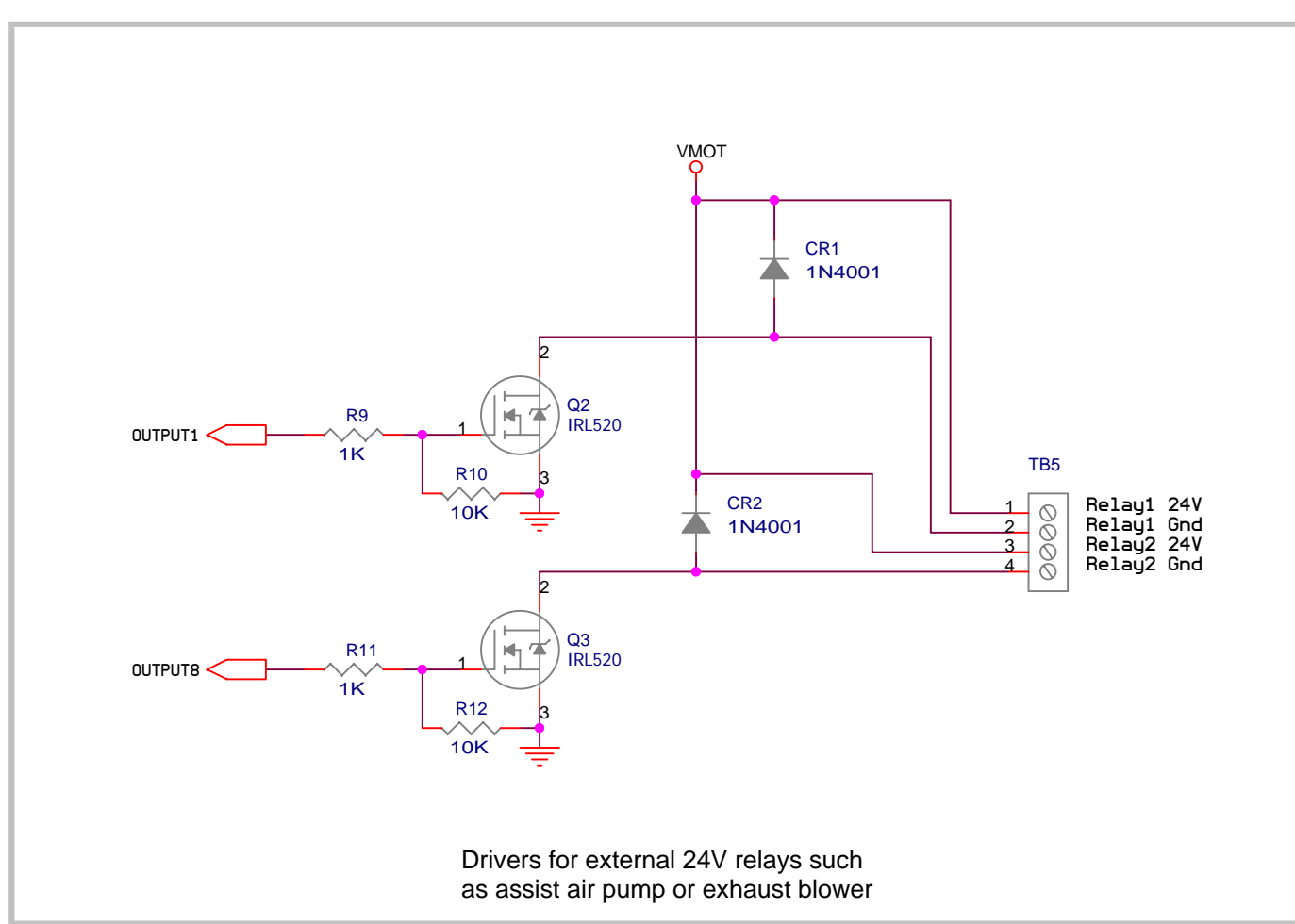


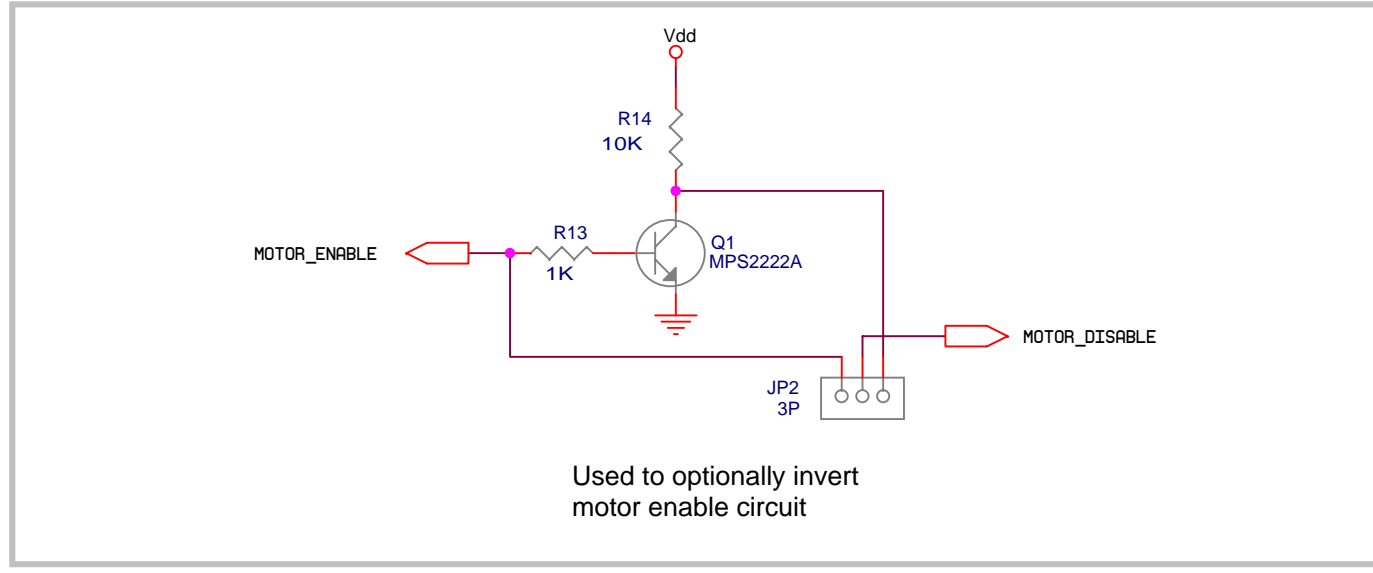
Stepper Motor Drivers
 Pololu A4983 or A4988

Microstepping Settings

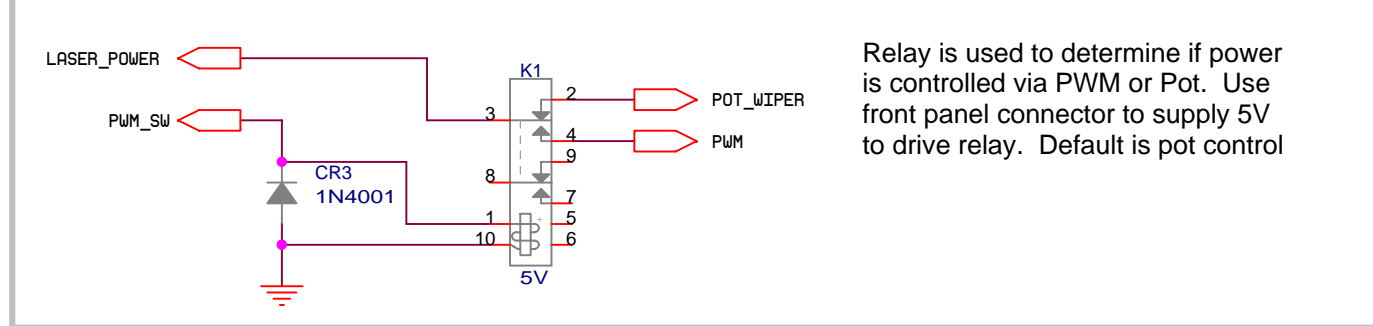
MS1	MS2	MS3	Mode	RotSwPos
L	L	L	Full	0
H	L	L	1/2	1
L	H	L	1/4	2
H	H	L	1/8	3
H	H	H	1/16	7



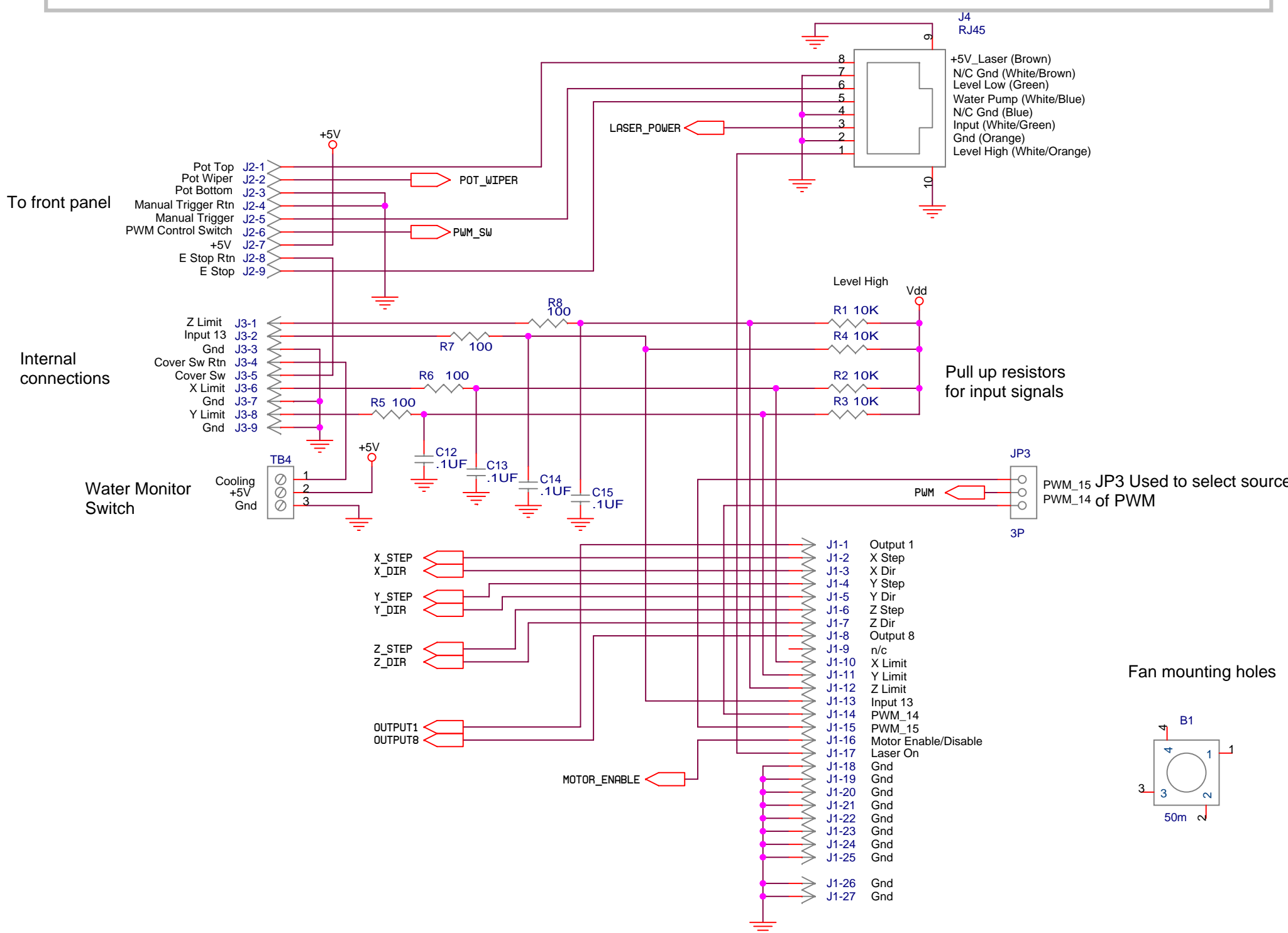
Drivers for external 24V relays such as assist air pump or exhaust blower



Used to optionally invert motor enable circuit



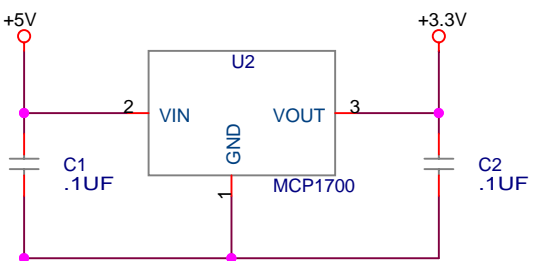
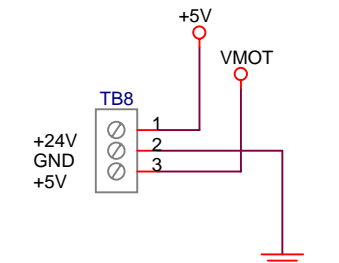
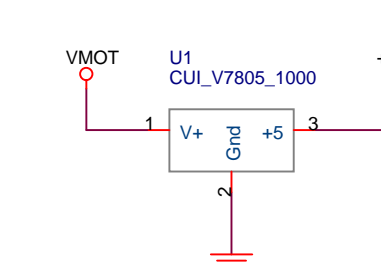
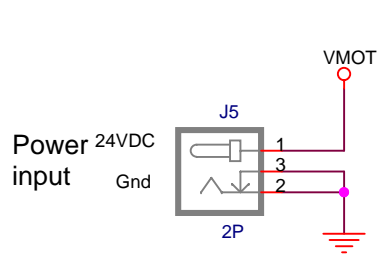
Relay is used to determine if power is controlled via PWM or Pot. Use front panel connector to supply 5V to drive relay. Default is pot control



Pull up resistors for input signals

Fan mounting holes

Board mounting holes



Power for 5V or 24V fan

JP1 Used to select Vdd Voltage

