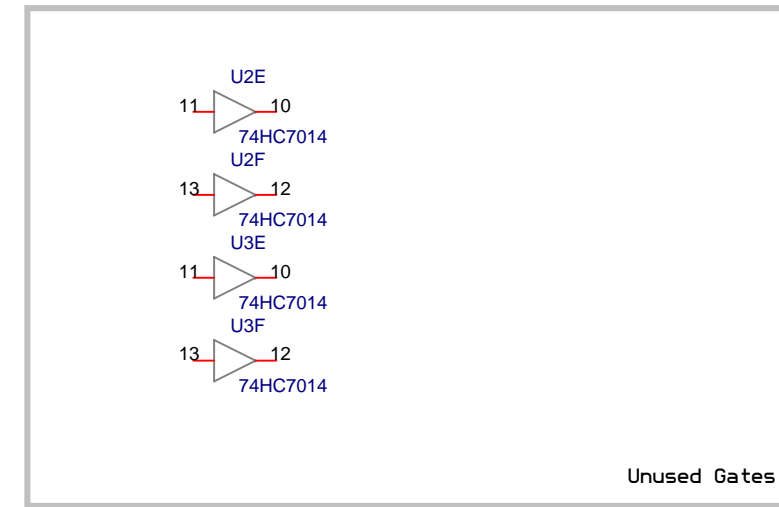
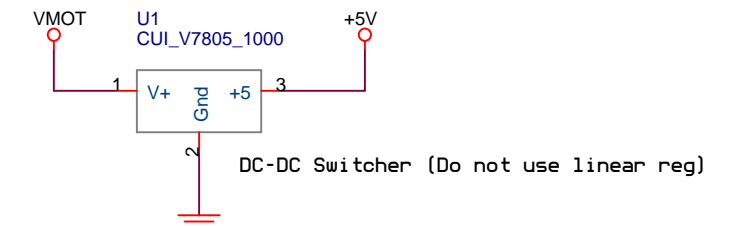
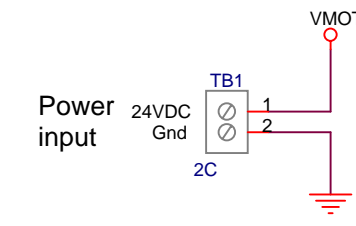
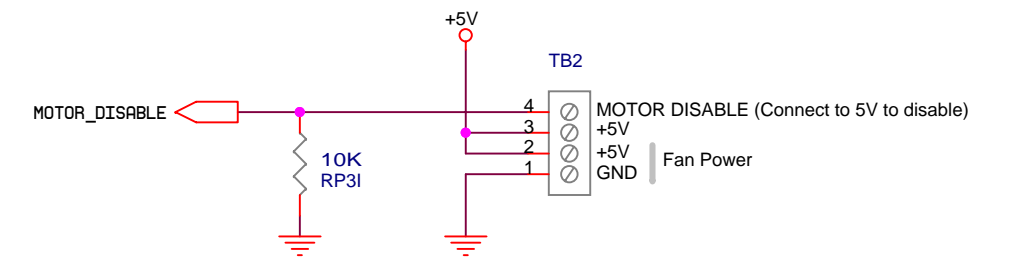
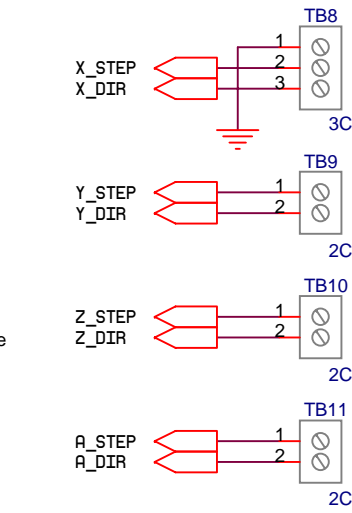
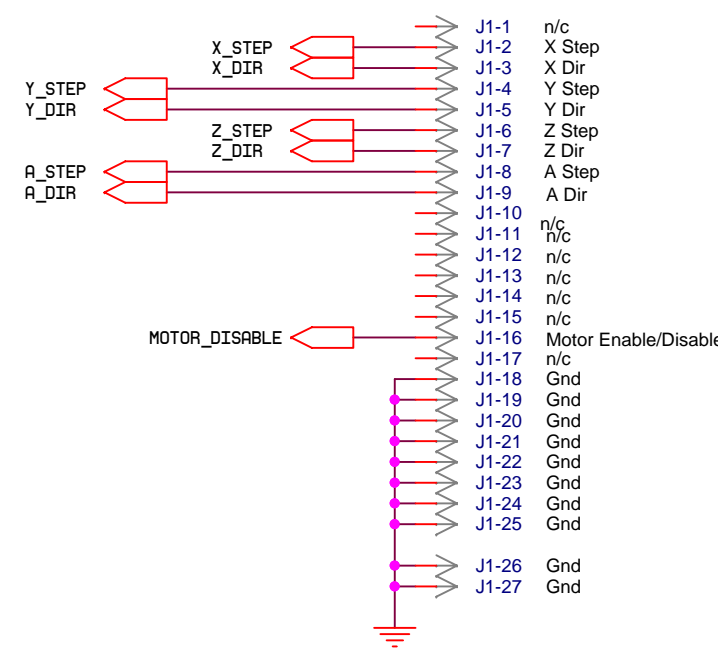
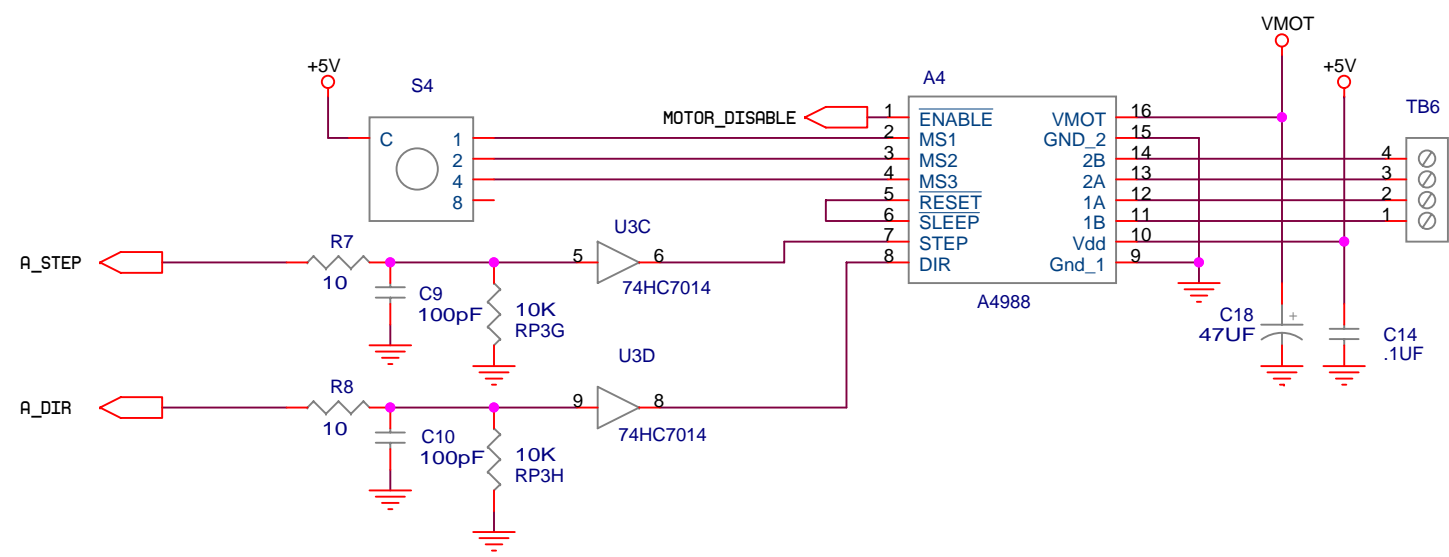
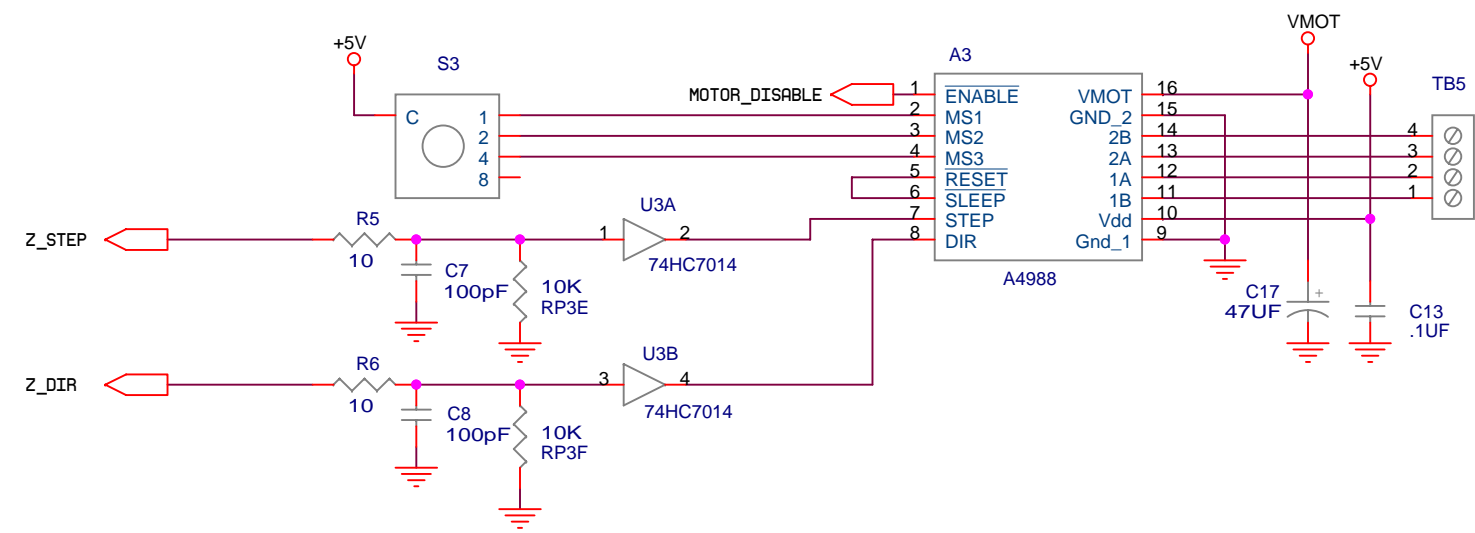
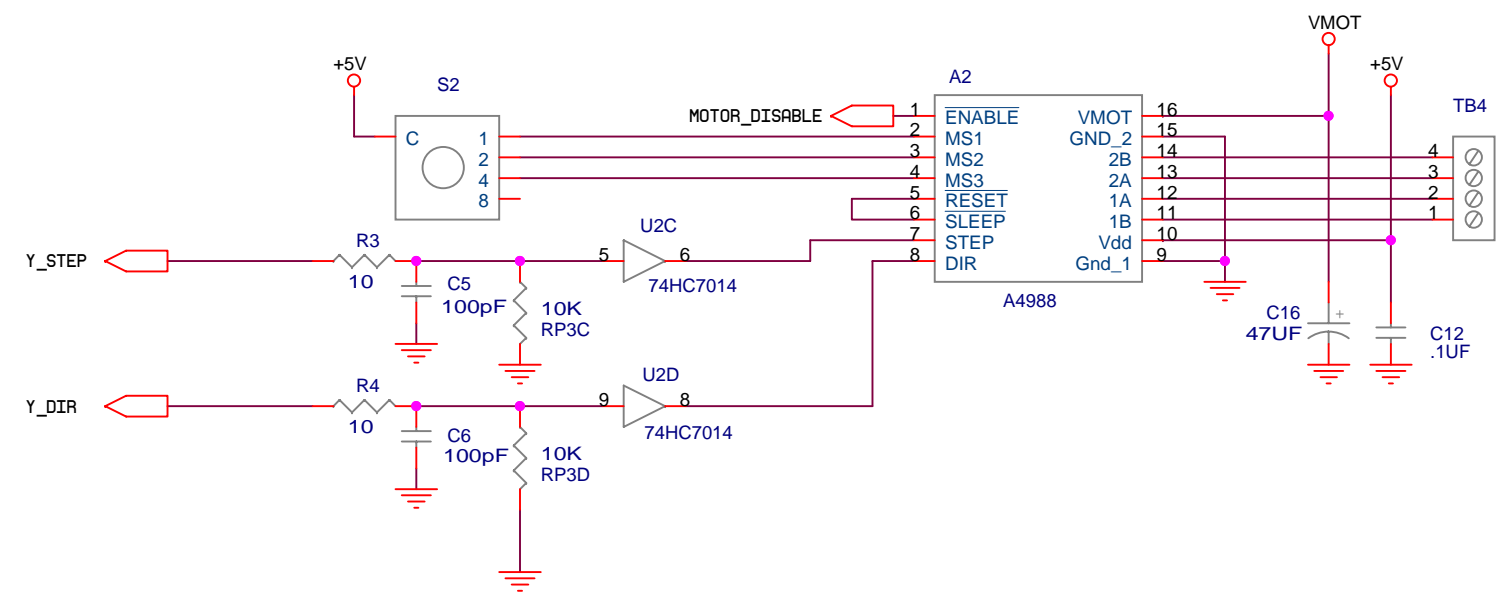
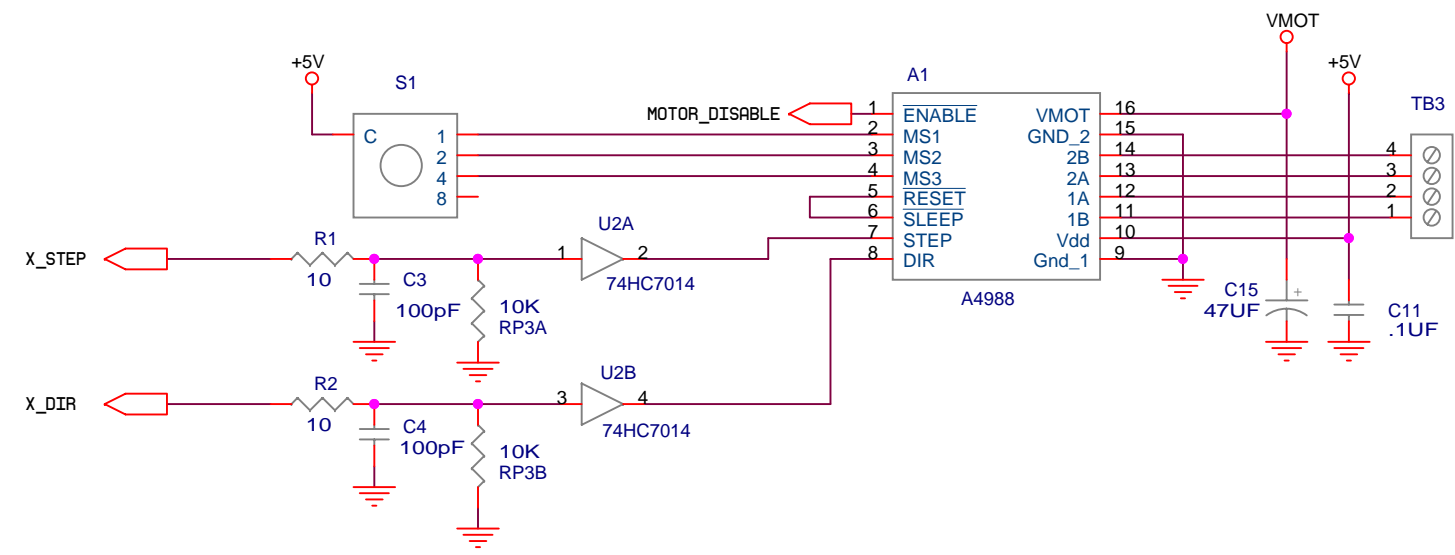
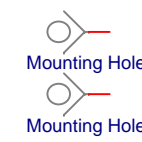


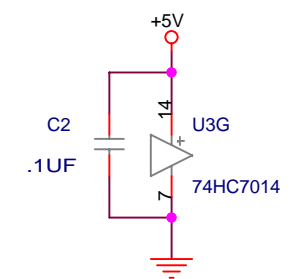
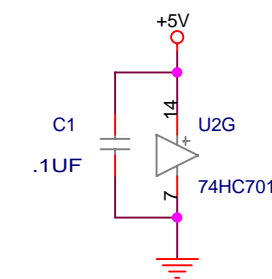
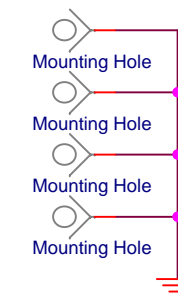
Stepper Motor Drivers  
Pololu A4983 or A4988



Fan mounting holes



Board mounting holes



Microstepping Settings

MS1	MS2	MS3	Mode	RotSwPos
L	L	L	Full	0
H	L	L	1/2	1
L	H	L	1/4	2
H	H	L	1/8	3
H	H	H	1/16	7