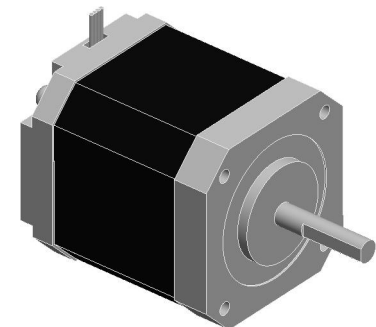
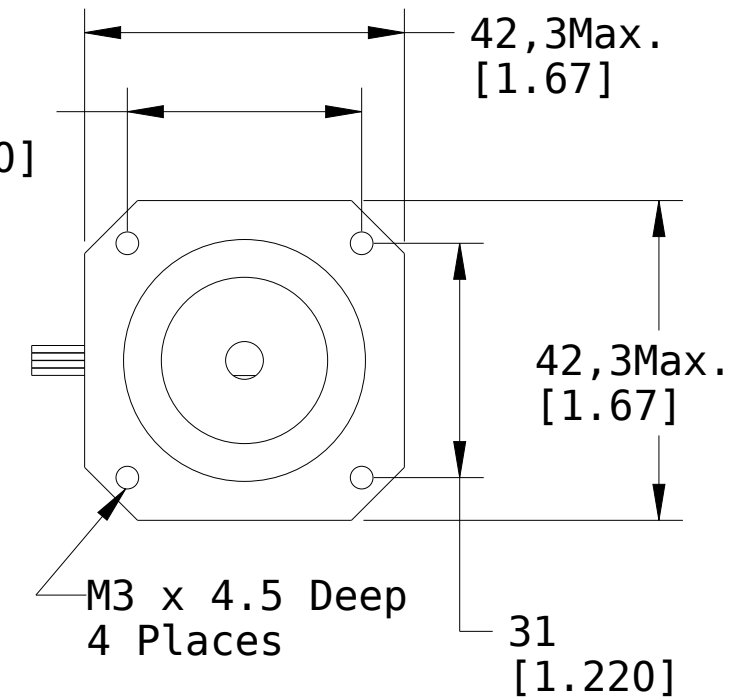
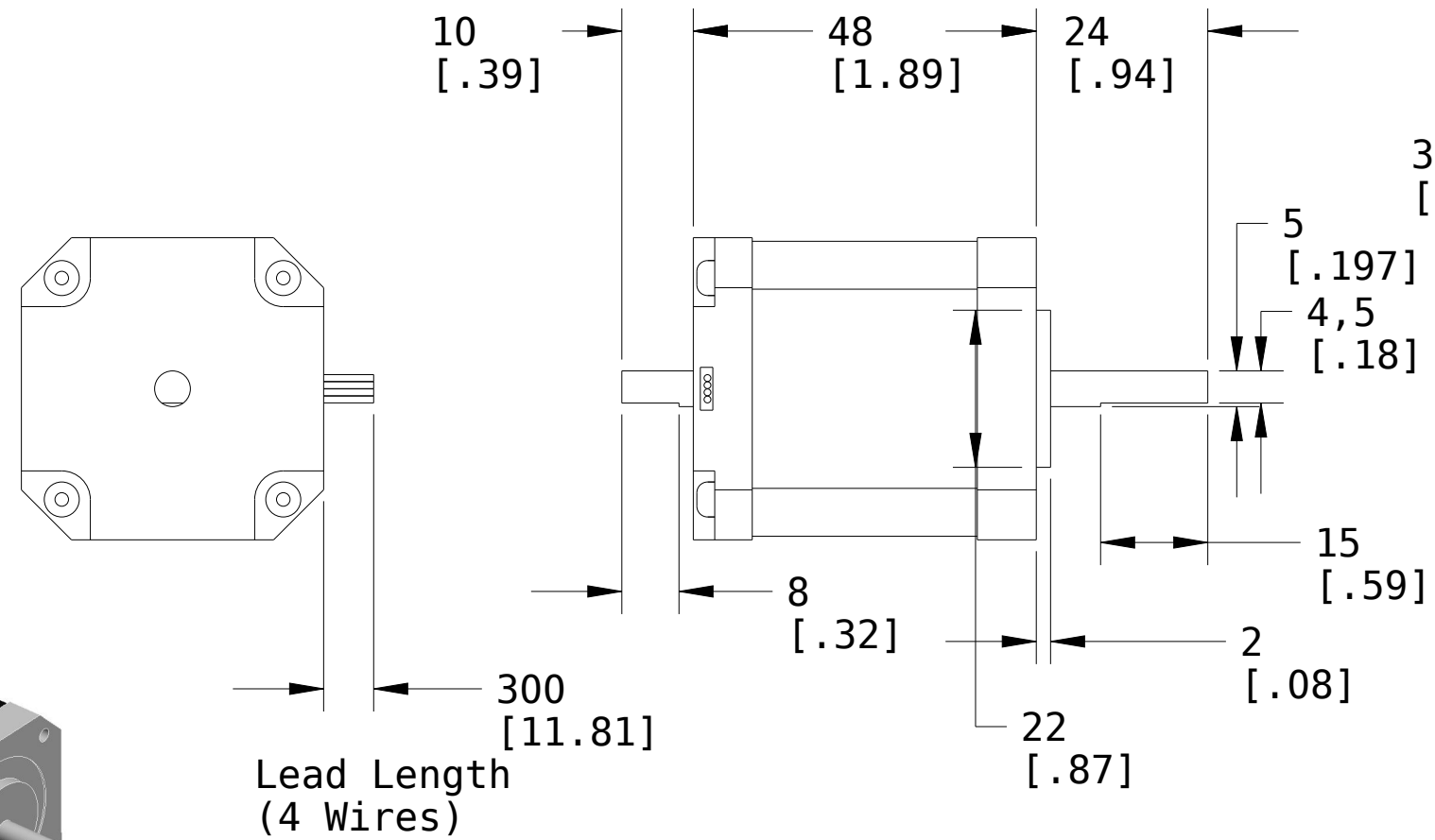
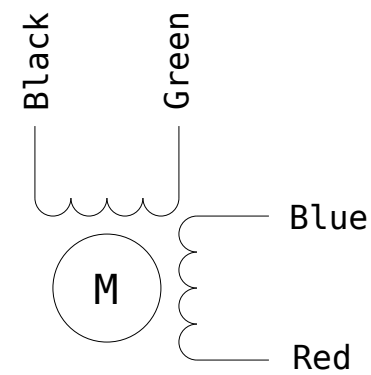


Rated Voltage	Current/Phase	Resistance/Phase	Inductance/Phase	Step Angle	Holding Torque
2.8V	1.68A	1.650hm	2.8mH	1.8° (200 step/rev)	4.4 kg-cm (60 in-oz)

REVISIONS			
SYM	DESCRIPTION	BY	DATE
1	ORIGINAL	BJD	11/15/11



The work is licensed under a Creative Commons Attribute-Share Alike 3.0 License

DRAWN	BJD	11/15/11
CHECKER		
MECH. ENGR.		
ELEC. ENGR.		
PROJ. ENGR.		
CHIEF ENGR.		

NEMA 17 Stepper Motor



www.buildlog.net

B10-10003

SCALE

SHEET 1 OF 1