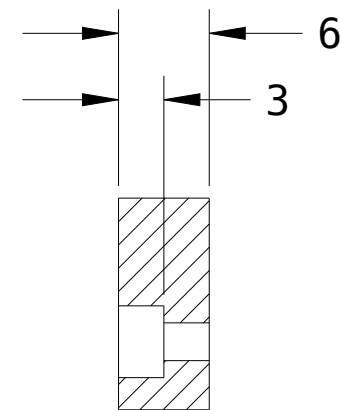
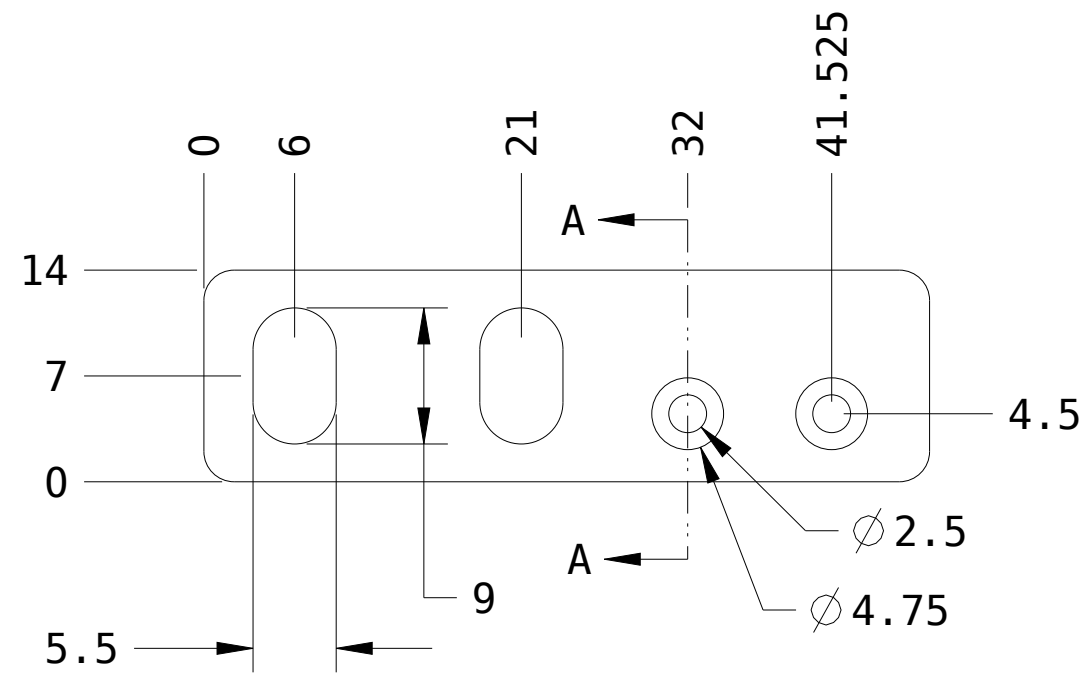


REVISIONS			
SYM	DESCRIPTION	BY	DATE
1	ORIGINAL	BJD	11/10/11



SECTION A-A


Notes:  
1. Material: 6mm or 1/4" Plastic



The work is licensed under a Creative Commons Attribute-Share Alike 3.0 License

DRAWN	BJD	11/10/11
CHECKER		
MECH. ENGR.		
ELEC. ENGR.		
PROJ. ENGR.		
CHIEF ENGR.		

Cover Interlock Switch Plate		SCALE

 <a href="http://www.buildlog.net">www.buildlog.net</a>
B17015
SHEET 1 OF 1