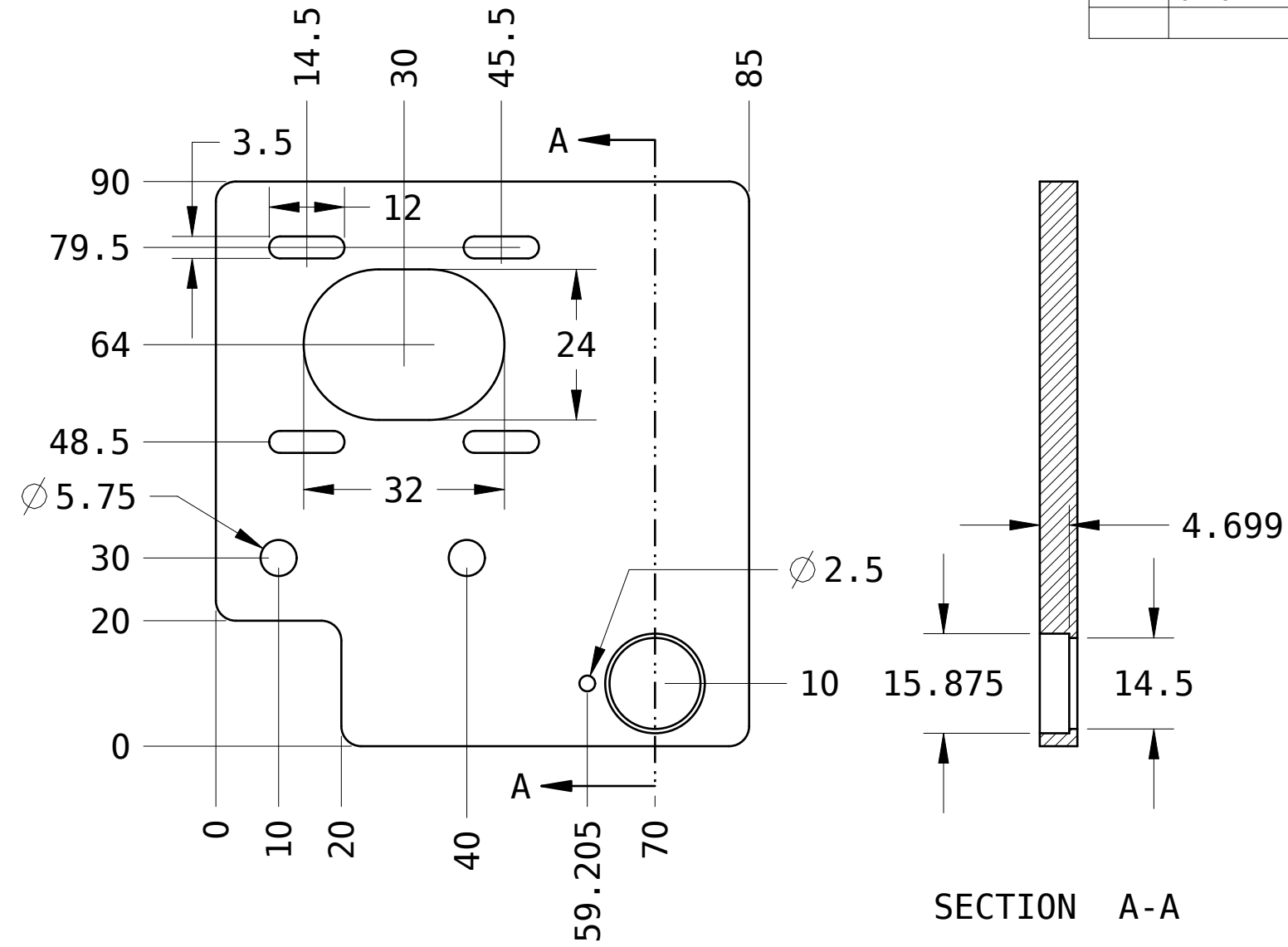


REVISIONS			
SYM	DESCRIPTION	BY	DATE
1	ORIGINAL	BJD	11/16/11



The work is licensed under a Creative Commons Attribute-Share Alike 3.0 License

DRAWN	BJD	11/16/11
CHECKER		
MECH. ENGR.		
ELEC. ENGR.		
PROJ. ENGR.		
CHIEF ENGR.		

Z Motor Plate

SCALE



www.buildlog.net

B17017

SHEET 1 OF 1