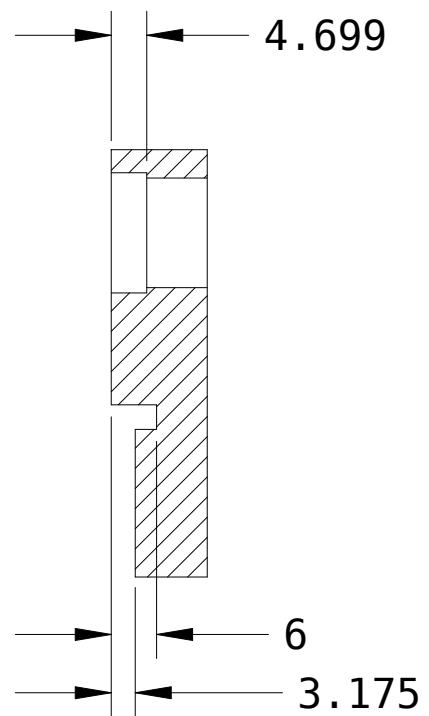
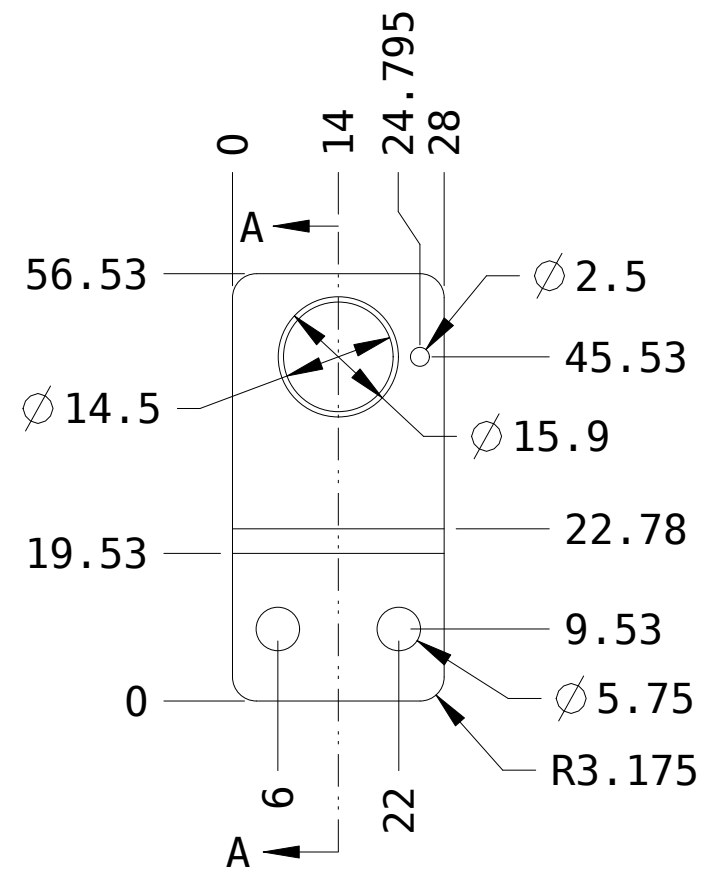


REVISIONS			
SYM	DESCRIPTION	BY	DATE
1	ORIGINAL	BJD	11/11/11



SECTION A-A

Notes:

1. Material: 6mm or 1/4 inch Plastic.



The work is licensed under a Creative Commons Attribution-Share Alike 3.0 License

DRAWN	BJD	11/11/11
CHECKER		
MECH. ENGR.		
ELEC. ENGR.		
PROJ. ENGR.		
CHIEF ENGR.		

Bearing Bracket (Y)



www.buildlog.net

B17042

SCALE

SHEET 1 OF 1