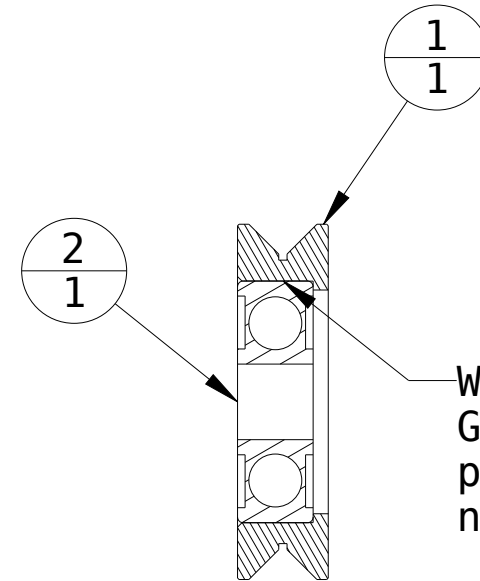
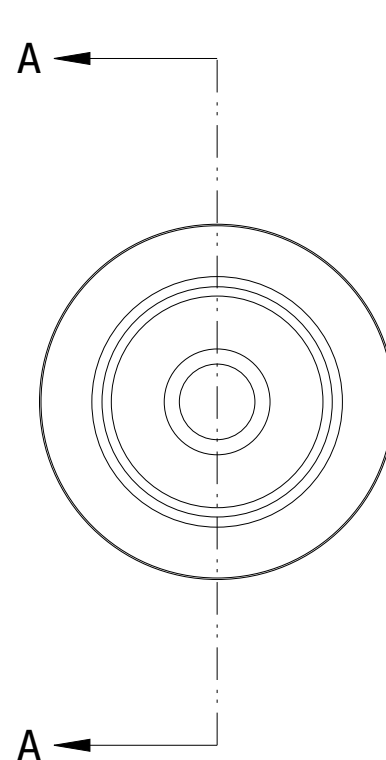


ITEM	PART NUMBER	QTY	DESCRIPTION
1	B17001-001	1	V Wheel
2	BEARING_5_16_5	1	Bearing 5mm ID 16mm OD 5mm Thk.

REVISIONS			
SYM	DESCRIPTION	BY	DATE
1	ORIGINAL	BJD	2/23/11
2	Fixed Bearing Part Number	BJD	3/6/11
3	Added glue note.	BJD	7/31/11



Wipe a small film of Super Glue on this surface before pressing in bearing. Be sure no glue gets in bearing.

SECTION A-A



The work is licensed under a Creative Commons Attribute-Share Alike 3.0 License

DRAWN	BJD	2/23/11
CHECKER		
MECH. ENGR.		
ELEC. ENGR.		
PROJ. ENGR.		
CHIEF ENGR.		

Delrin V Wheel Assembly



www.buildlog.net

B30028

SCALE

SHEET 1 OF 1