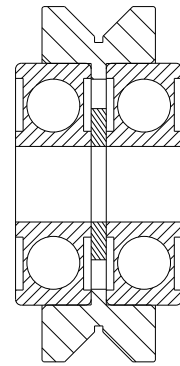
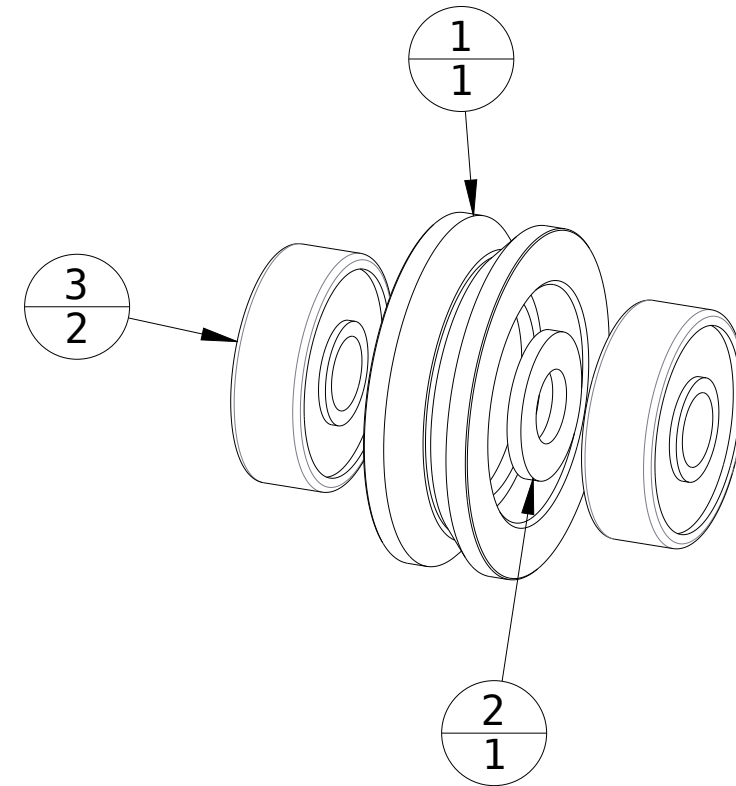
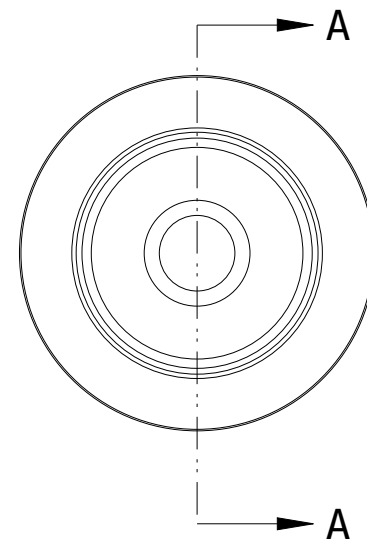


ITEM	PART NUMBER	QTY	DESCRIPTION
1	B17021	1	V Wheel
2	B18026	1	Shim 5mm 10mm 1mm Thk.
3	BEARING_5_16_5	2	Bearing 5mm ID 16mm OD 5mm Thk.

REVISIONS			
SYM	DESCRIPTION	BY	DATE
1	ORIGINAL	BJD	10/31/11



SECTION A-A



The work is licensed under a Creative Commons Attribution-Share Alike 3.0 License

DRAWN	BJD	10/31/11
CHECKER		
MECH. ENGR.		
ELEC. ENGR.		
PROJ. ENGR.		
CHIEF ENGR.		

Dual Bear V Wheel

SCALE



www.buildlog.net

B30037

SHEET 1 OF 1