

1

2

3

4

5

6

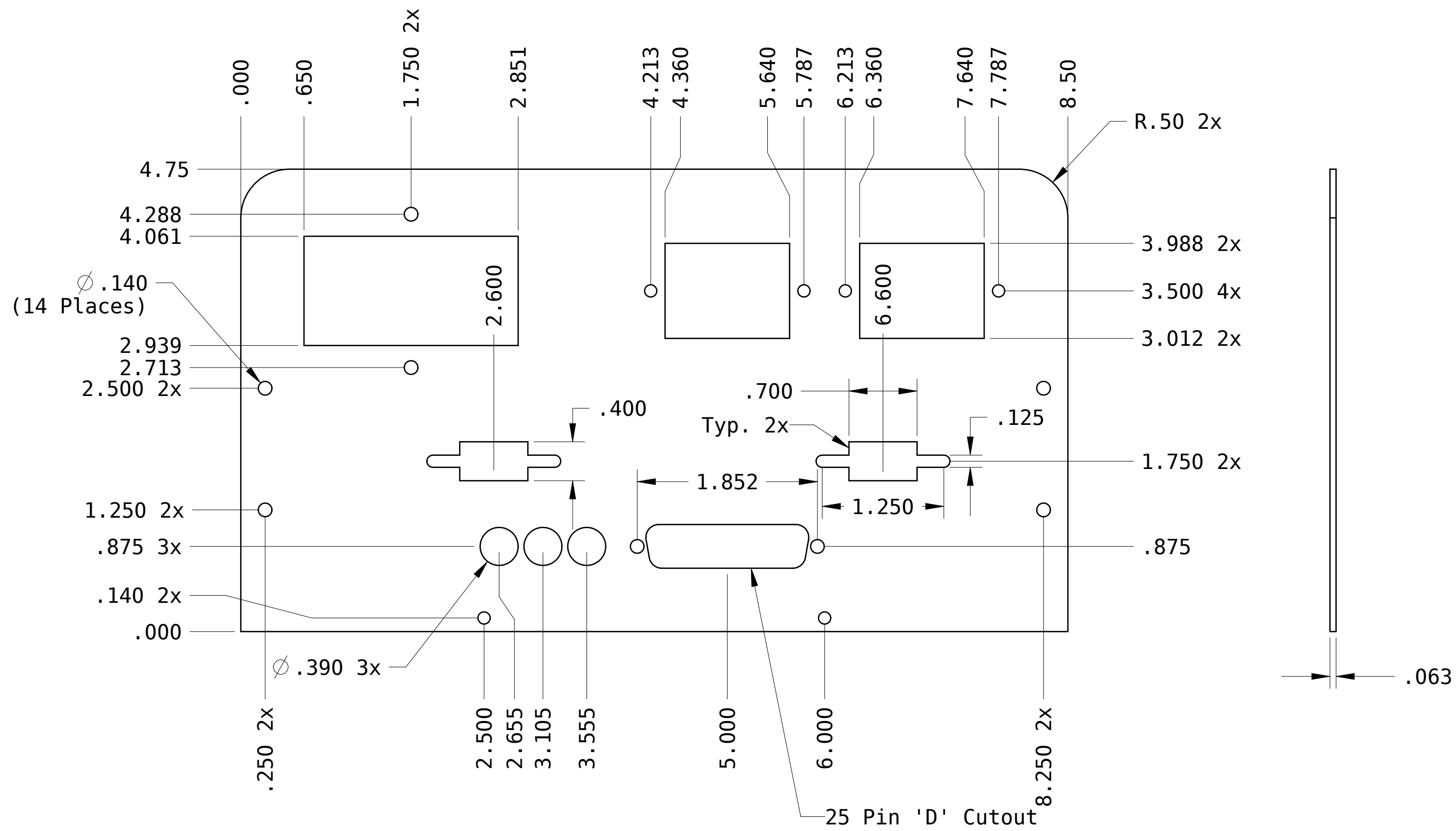
REVISIONS			
SYM	DESCRIPTION	BY	DATE
1	ORIGINAL	BJD	6/1/11

D

C

B

A



The work is licensed under a Creative Commons Attribution-Share Alike 3.0 License

DRAWN	BJD	6/1/11
CHECKER		
MECH. ENGR.		
ELEC. ENGR.		
PROJ. ENGR.		
CHIEF ENGR.		

Rear Panel Plate USB	
SCALE	

 www.buildlog.net
C14009
SHEET 1 OF 1