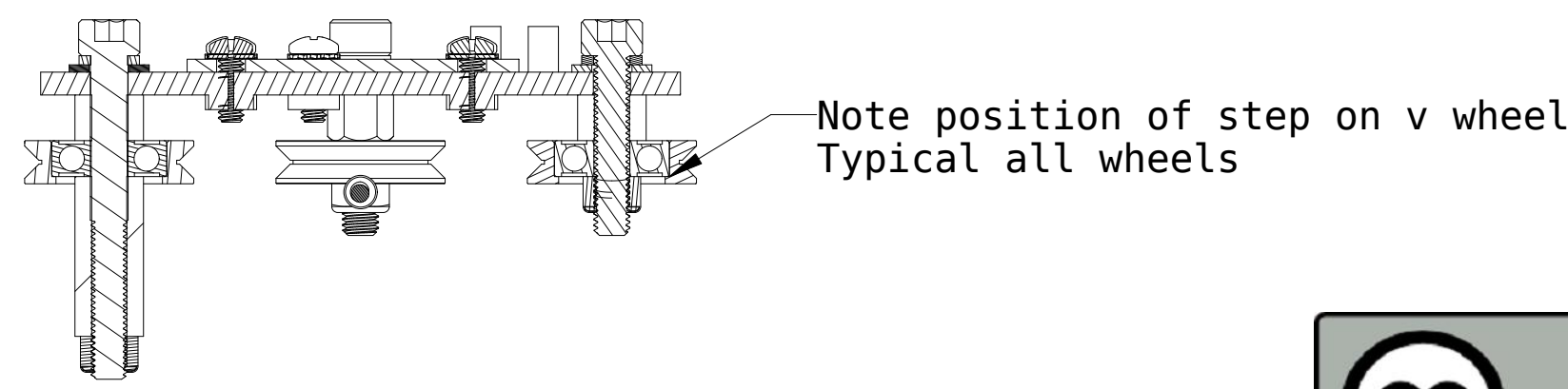
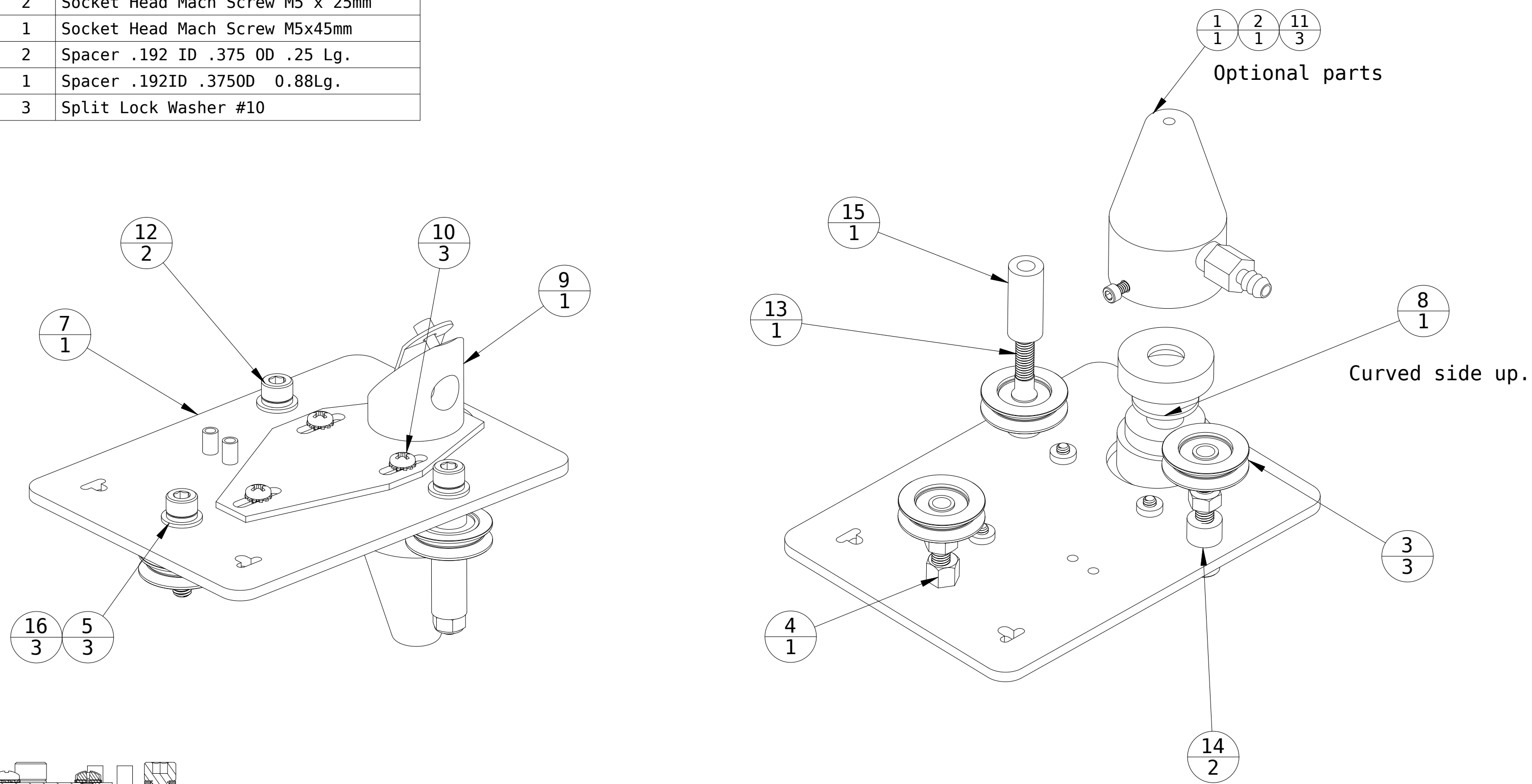
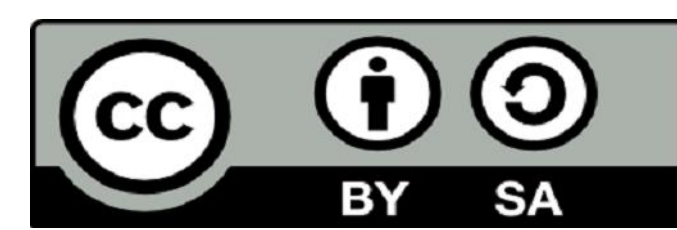


ITEM	SYM	PART NUMBER	QTY	DESCRIPTION
1		B18013	1	Assist Nozzle
2		B28019	1	Barbed Fitting 1/8NPT 3/16
3		B30028	3	Delrin V Wheel Assembly
4		B18001-001	1	Eccentric Spacer
5		FLW10SS	3	Flat Washer #10
6		HNMSNL	3	Hex Nut M5 Nylock
7		C14002-001	1	Laser Carriage Plate
8		B28020	1	Lens ZnSe 18mm 55mm
9		B28018	1	Lens\Mirror Assembly
10		PHMS063206SEM	3	Pan Head Mach Screw #6-32 x 3/8 SEMS
11		SHMS044006S	3	Socket Head Mach Screw #4-40 x 3/8
12		SHMSM525S	2	Socket Head Mach Screw M5 x 25mm
13		SHMSm545S	1	Socket Head Mach Screw M5x45mm
14		SPACER_192_375_25	2	Spacer .192 ID .375 OD .25 Lg.
15		SPACER_192_375_875	1	Spacer .192ID .375OD 0.88Lg.
16		SLW10SS	3	Split Lock Washer #10

REVISIONS			
SYM	DESCRIPTION	BY	DATE
1	ORIGINAL	BJD	1/11/11
2	Revised Hardware	BJD	2/26/11
3	Added section view A-A	BJD	3/30/11
4	Revised hardware	BJD	5/24/11
5	Corrected hardware	BJD	6/27/11
6	Moved large standoff	BJD	10/14/11



SECTION A-A



The work is licensed under a Creative Commons Attribute-Share Alike 3.0 License

DRAWN	BJD	1/11/11	2.x Laser Carriage Assy	www.buildlog.net
CHECKER				
MECH. ENGR.				C30001-020
ELEC. ENGR.				SHEET 1 OF 1
PROJ. ENGR.			SCALE	
CHIEF ENGR.				