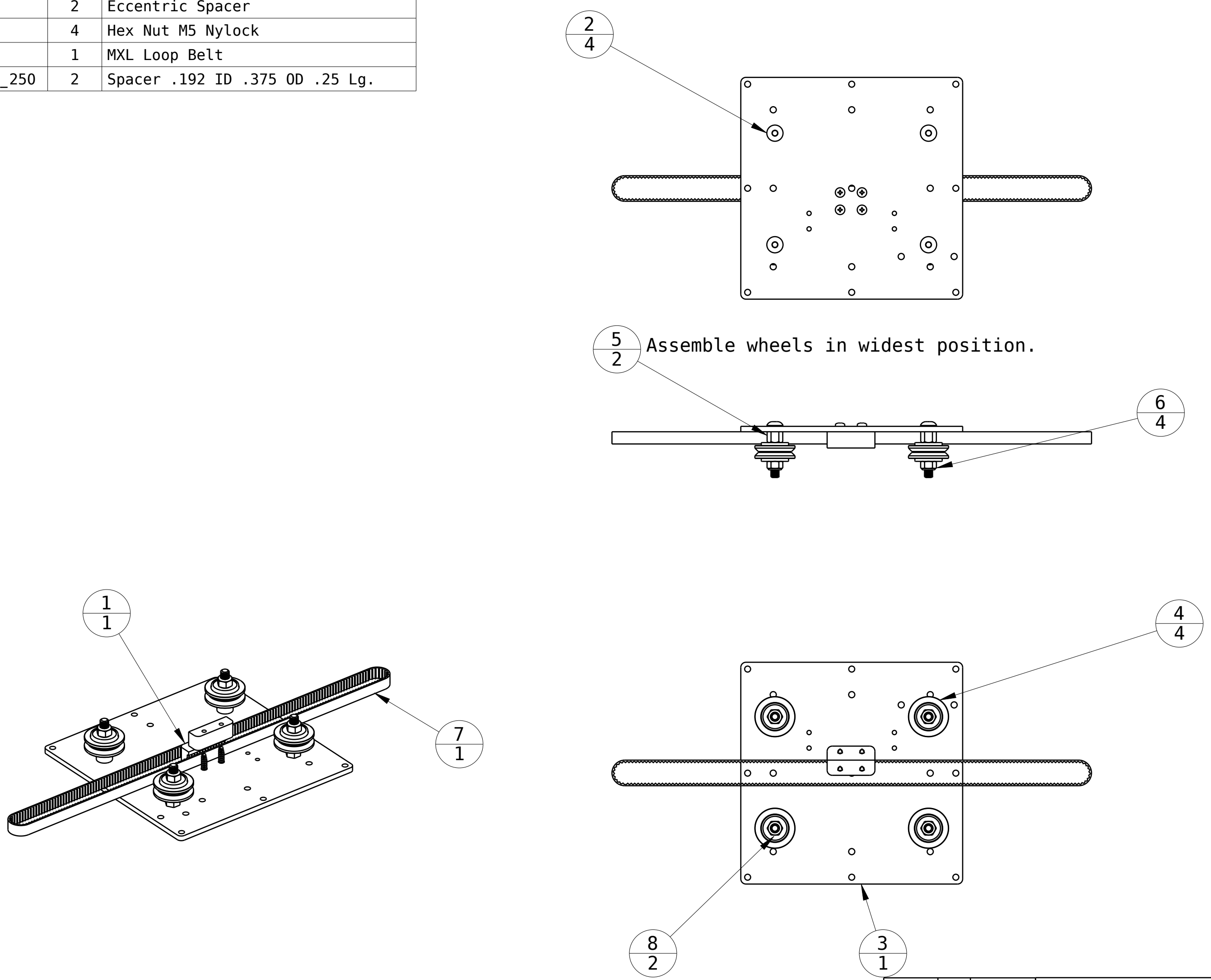


ITEM	PART NUMBER	QTY	DESCRIPTION
1	B30057	1	Belt Clamp Kit
2	BHCSM530S	4	Button Head Cap Screw M5 x 30
3	C17051	1	Carraige Plate
4	B30037	4	Dual Bearing V Wheel
5	B18001-001	2	Eccentric Spacer
6	HNM5NL	4	Hex Nut M5 Nylock
7	B28046-285	1	MXL Loop Belt
8	SPACER_192_375_250	2	Spacer .192 ID .375 OD .25 Lg.

REVISIONS			
SYM	DESCRIPTION	BY	DATE
1	ORIGINAL	BJD	2/10/12
2	Moved belt to this level.	BJD	2/19/12
3	Changed clamp	BJD	3/20/12
4	Changed clamp	BJD	4/15/12
5	Changed to loop belt	BJD	4/22/12




The work is licensed under a Creative Commons Attribute-Share Alike 3.0 License

DRAWN	BJD	2/10/12
CHECKER		
MECH. ENGR.		
ELEC. ENGR.		
PROJ. ENGR.		
CHIEF ENGR.		

Carriage Plate Assy

SCALE



www.buildlog.net

C30055

SHEET 1 OF 1