

1

2

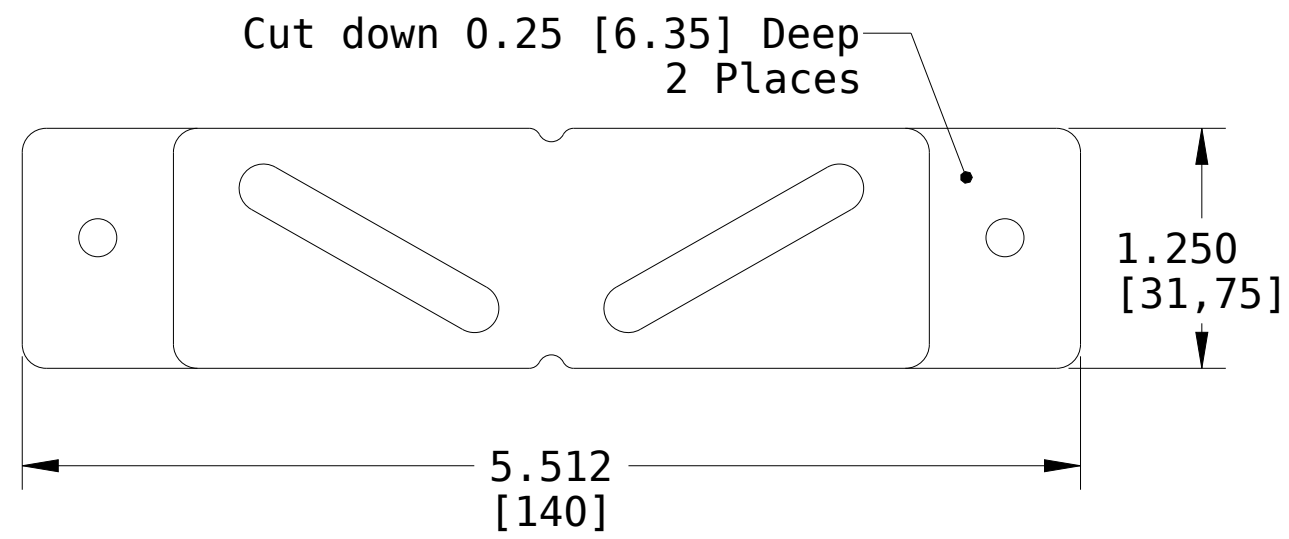
3

4

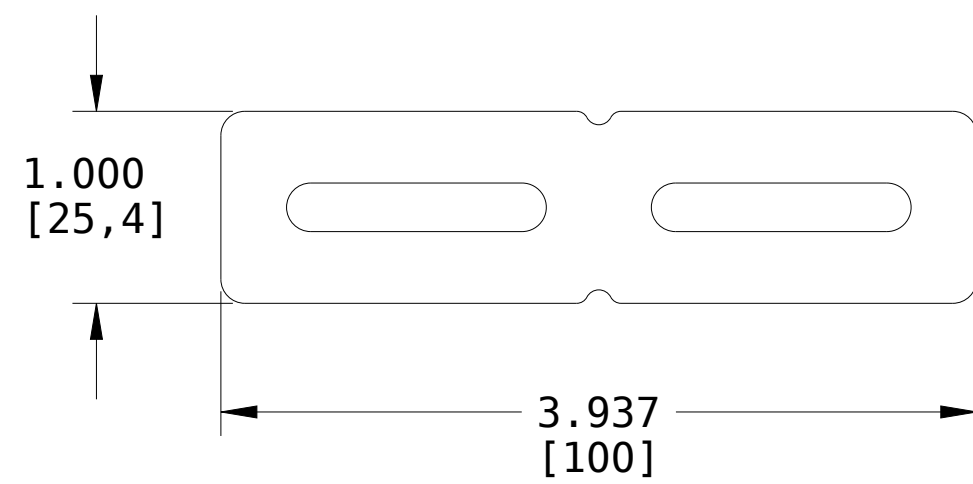
5

6

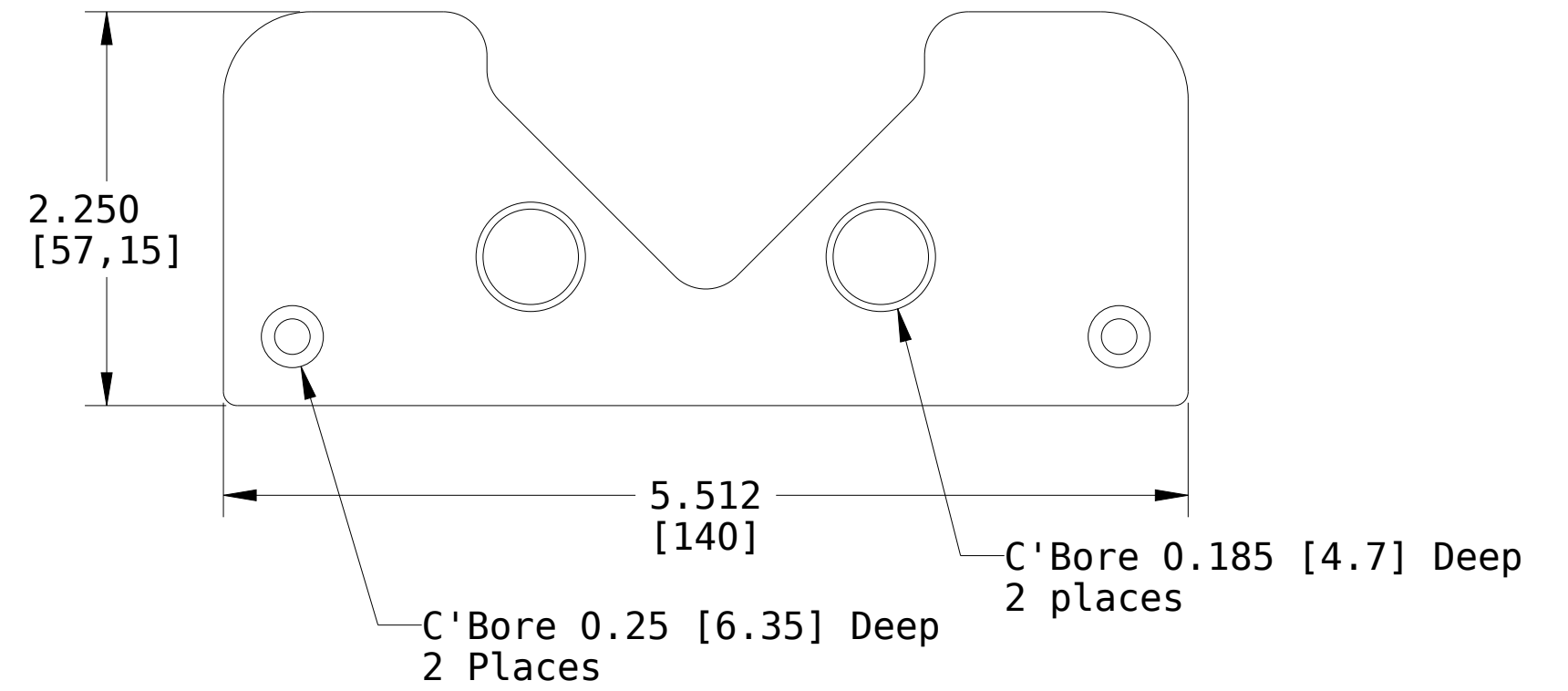
REVISIONS			
SYM	DESCRIPTION	BY	DATE
1	ORIGINAL	BJD	7/20/11



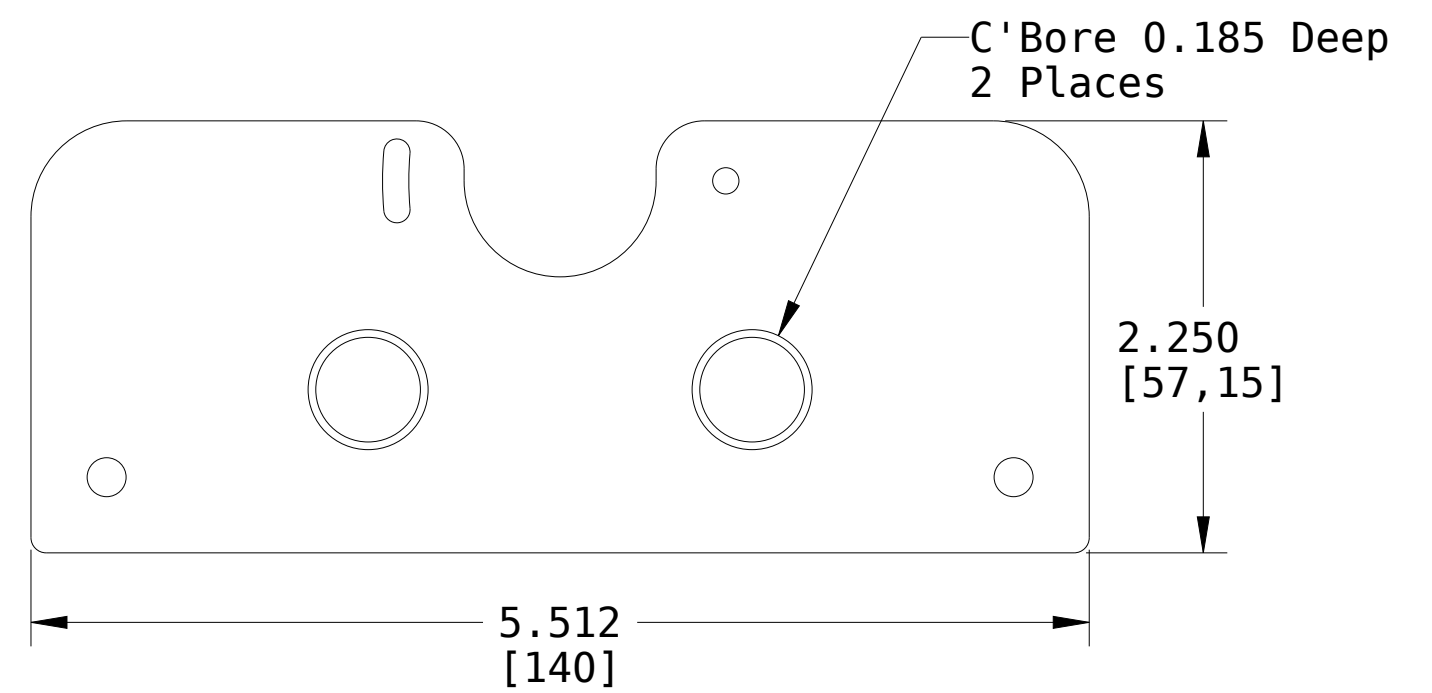
P/N: B17028



P/N: B17027



P/N: B17030




P/N: B17029

Notes:
 1. Material: 1/2" Thick HDPE



The work is licensed under a Creative Commons Attribution-Share Alike 3.0 License

DRAWN	BJD	7/20/11	Rotational Engraver Plastic Parts	 www.buildlog.net
CHECKER				
MECH. ENGR.				
ELEC. ENGR.				
PROJ. ENGR.				
CHIEF ENGR.			C51006	SHEET 1 OF 1

SCALE