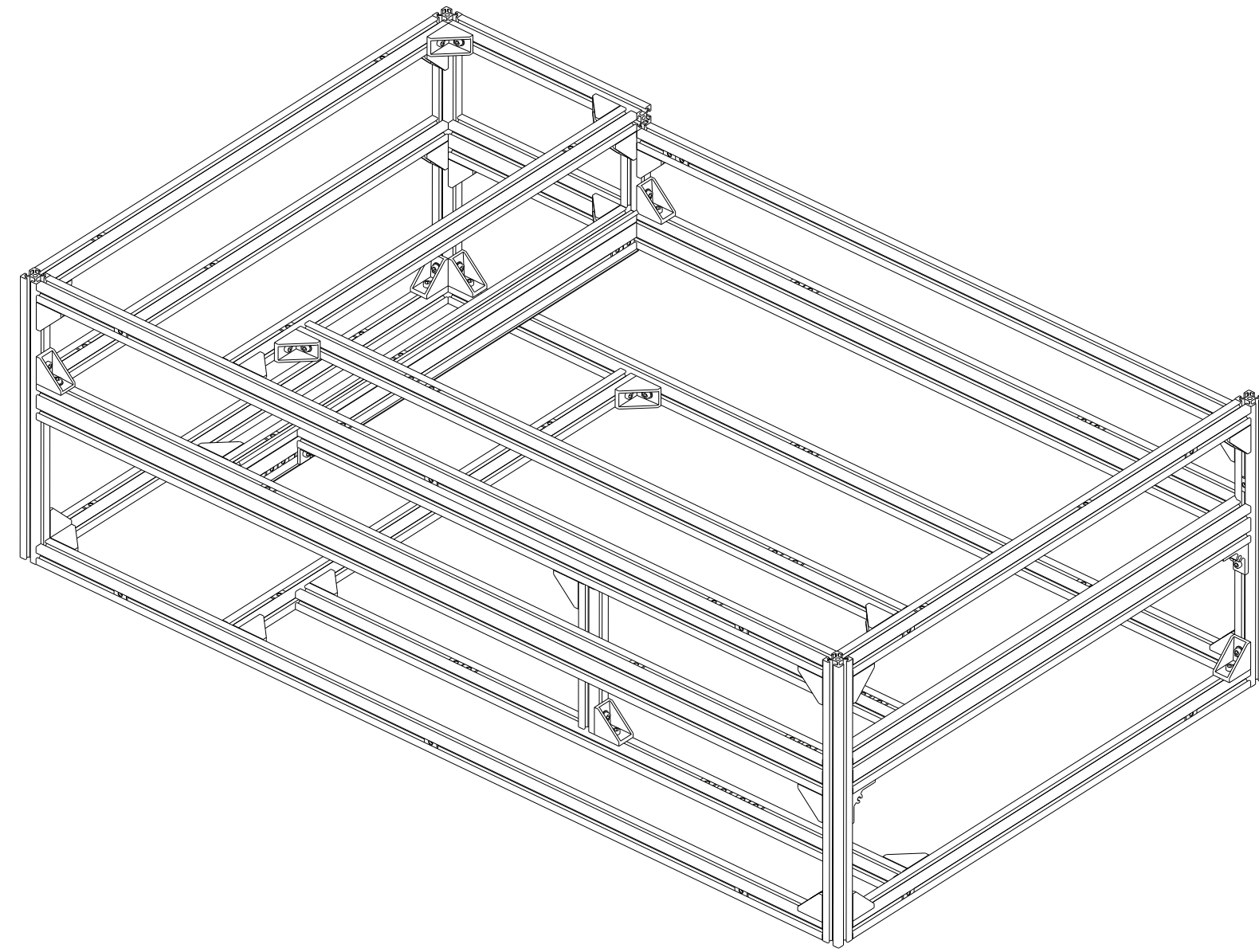
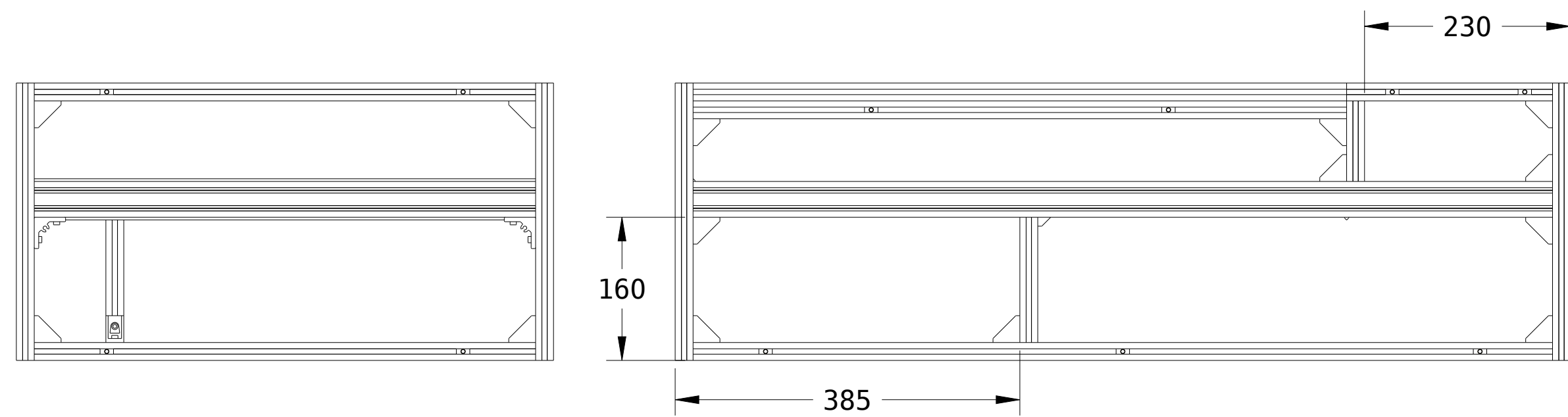
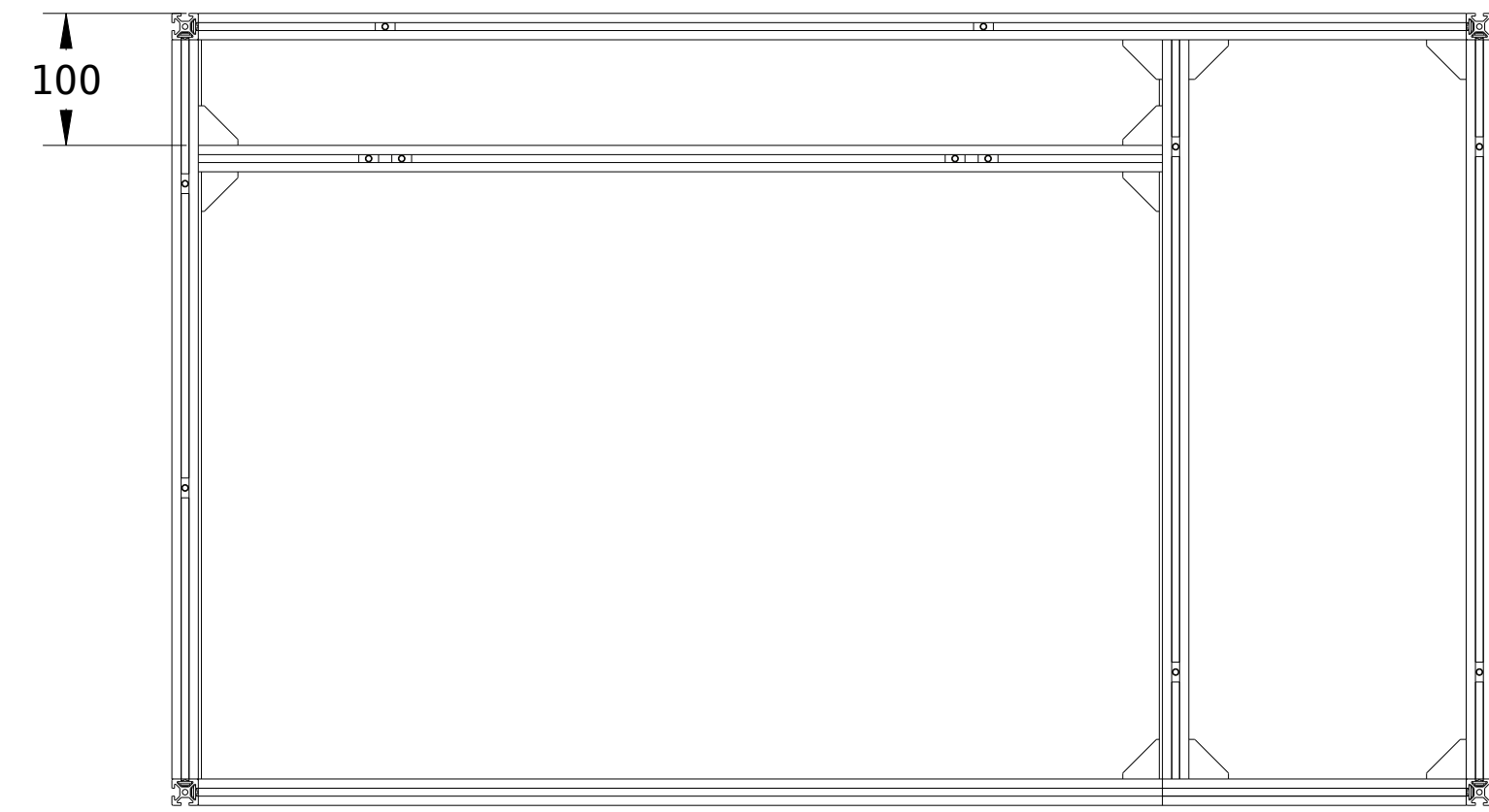
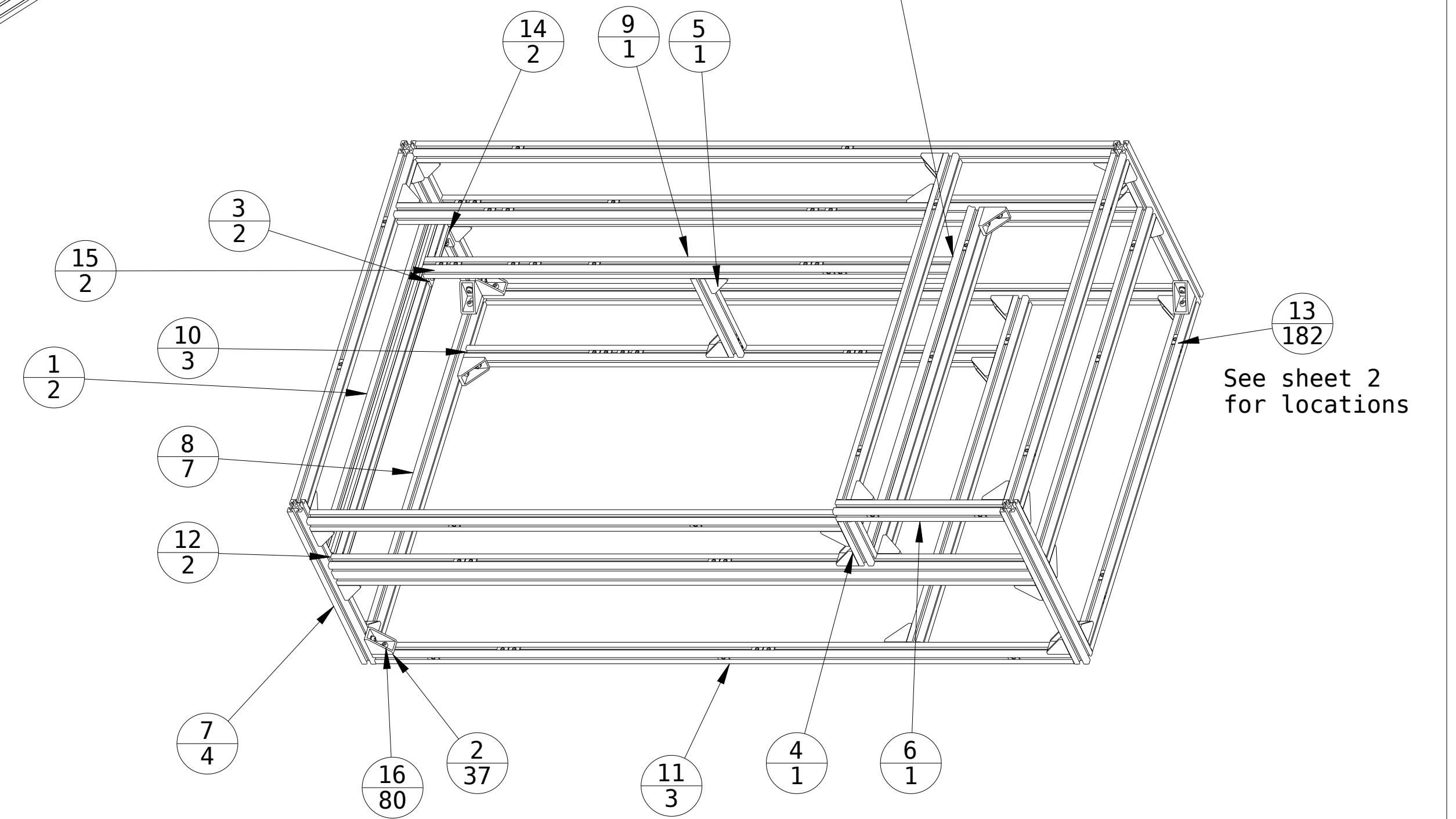


ITEM	PART NUMBER	QTY	DESCRIPTION
1	B17022-560	2	Missing Description
2	HBLFSN5	37	Cast Bracket Misumi HBLFSN5
3	HBLSS5	2	Angle Bracket, Misumi
4	HFS5-2020-090	1	Misumi HFS5-2020-90
5	HFS5-2020-160	1	Misumi HFS5-2020-160
6	HFS5-2020-230	1	Misumi HFS5-2020-230
7	HFS5-2020-310	4	Misumi HFS5-2020-310
8	HFS5-2020-560	7	Misumi HFS5-2020-560
9	HFS5-2020-728	1	Misumi HFS5-2020-728
10	HFS5-2020-730	3	Misumi HFS5-2020-730
11	HFS5-2020-960	3	Misumi HFS5-2020-960
12	HFS5-2040-960	2	Misumi HFS5-2040-960
13	HNKK5-5	182	Pre-Assy Nut M5 Misumi HNKK5-5
14	MISUMI_HBLTS5	2	Thin Corner Bracket
15	PHMSM508S	2	Pan Head Mach Screw M5 x 8mm
16	SHMSM510	80	Socket Head Screw M5x12mm

REVISIONS			
SYM	DESCRIPTION	BY	DATE
1	ORIGINAL	BJD	12/31/10
2	General Cleanup	BJD	1/10/11
3	Added More Missing Nuts	BJD	2/18/11
4	Major update (MakerSlide)	BJD	11/1/11
5	Fixed Part Numbers	BJD	11/11/11



There is an intentional gap at this end to allow adjustment of the Makerslide



Notes:

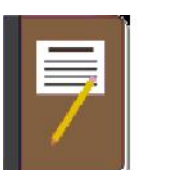
- This is the basic frame that is assembled before the next level items get installed. This assembly does not include all extrusions and other Misumi parts. More parts at other levels, such as cover and final assy.
- Be sure to install all extra t-nuts as shown that are used for higher level assembly items



The work is licensed under a Creative Commons Attribution-Share Alike 3.0 License

DRAWN	BJD	12/31/10
CHECKER		
MECH. ENGR.		
ELEC. ENGR.		
PROJ. ENGR.		
CHIEF ENGR.		

Frame Assembly for  
2.x Laser



www.buildlog.net

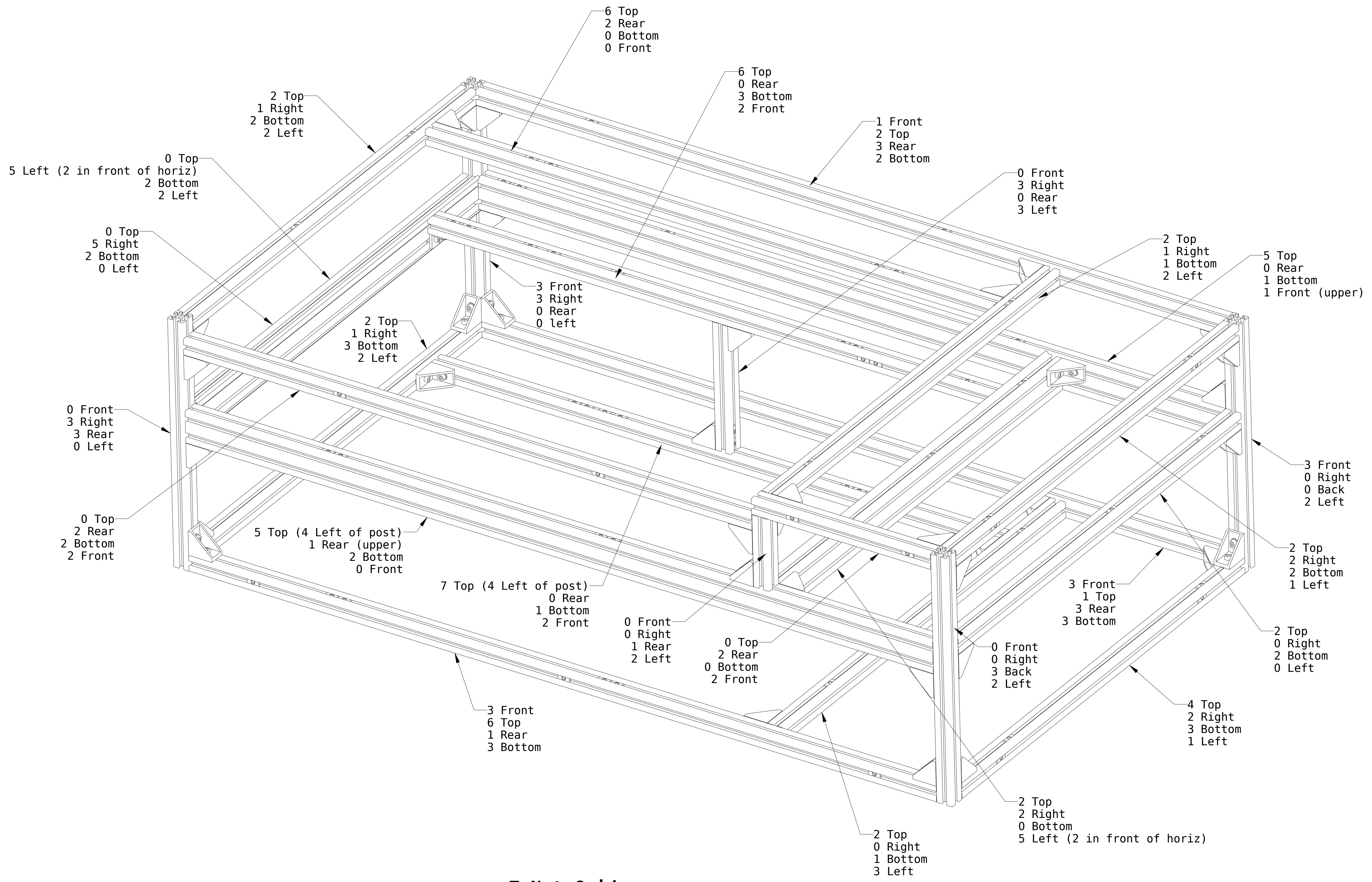
D30027

SCALE

SHEET 1 OF 2

REVISION	
SYM	DESCRIPTION
4	SEE SHEET 1

F  
E  
D  
C  
B  
A



**T-Nut Guide**

