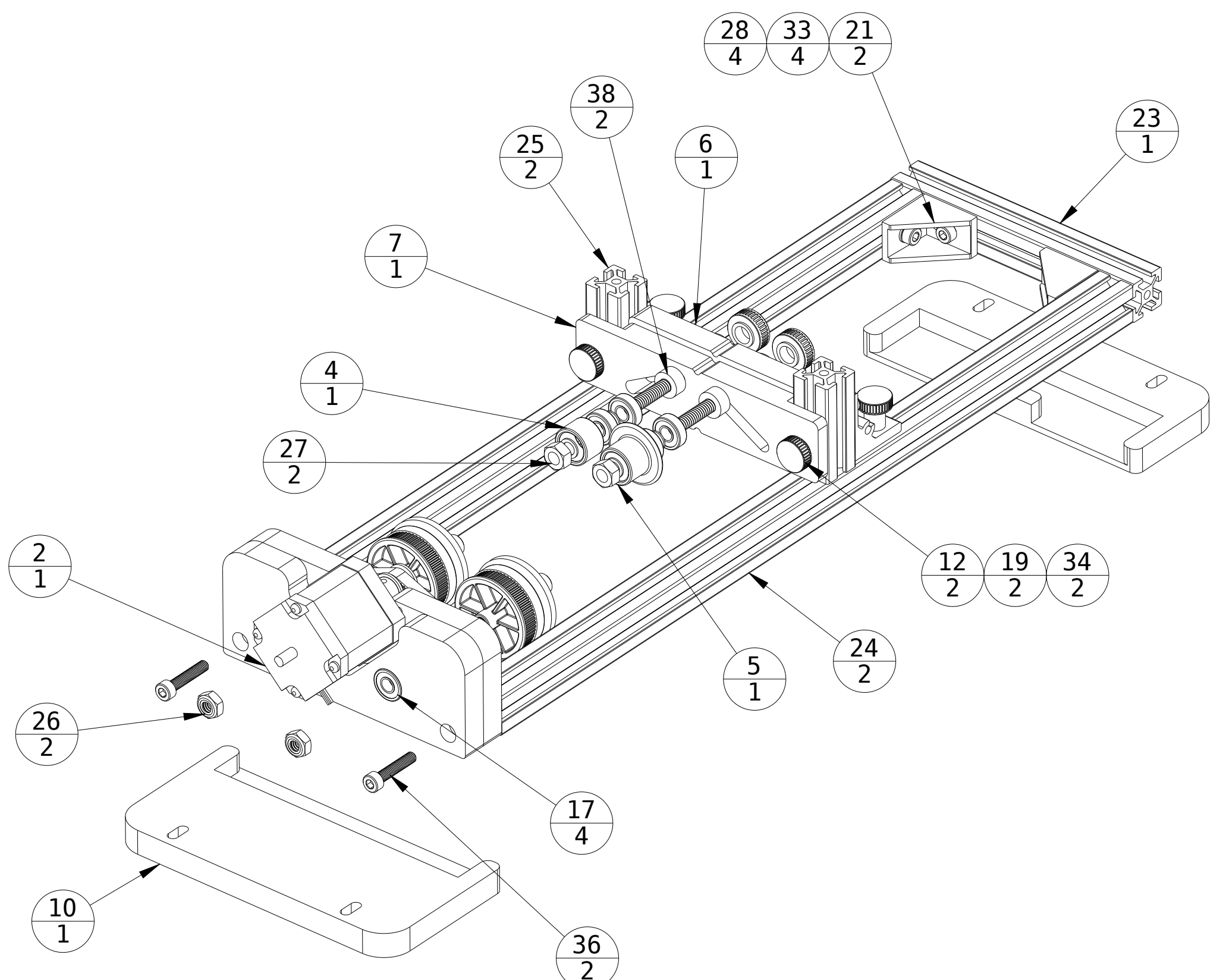
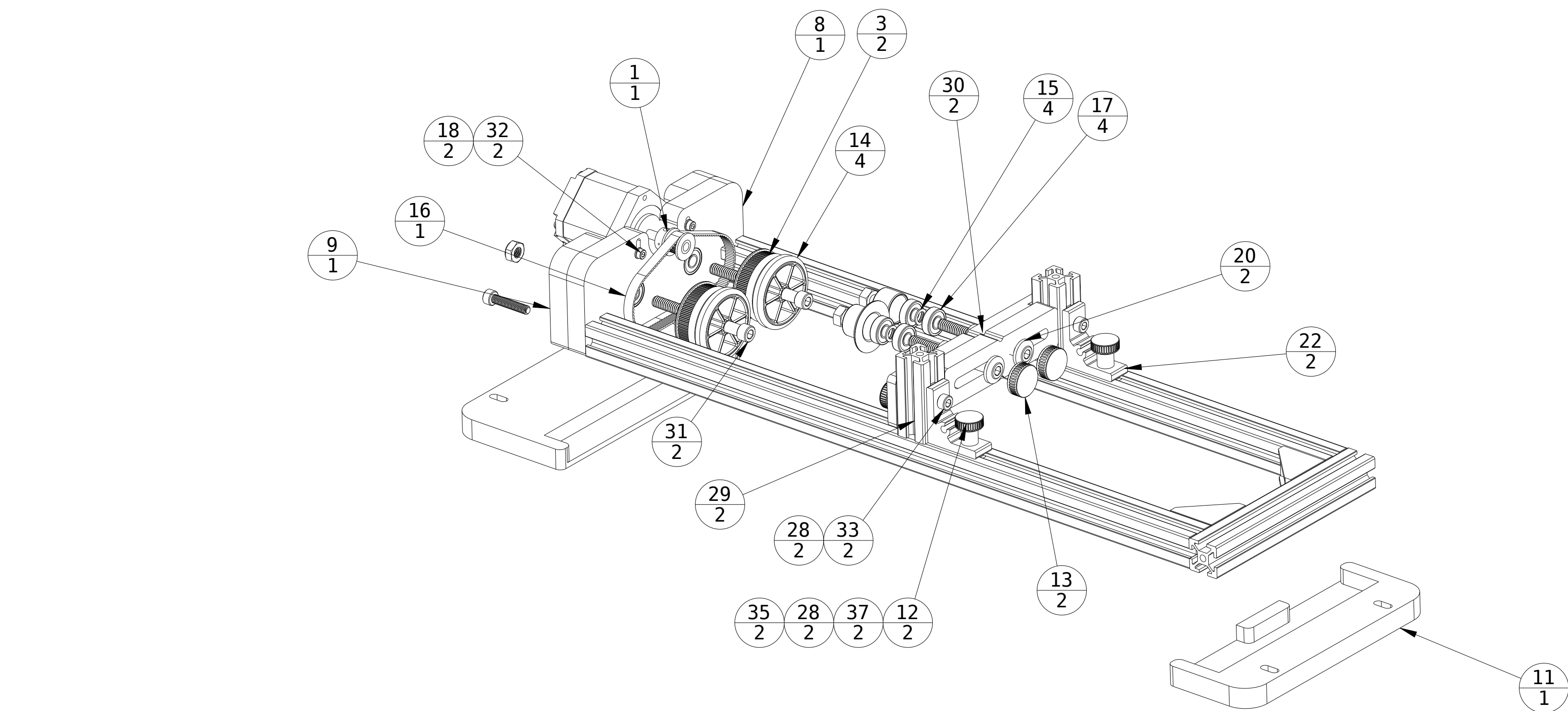



| ITEM | PART NUMBER | QTY | DESCRIPTION |
|------|--------------------|-----|---------------------------------------|
| 1 | A_6T16M018DF6005 | 1 | Pulley, MXL 18T 5mm Bore |
| 2 | B10-10001 | 1 | Nema 17 Stepper Motor |
| 3 | B17024 | 2 | Drive Wheel, SLA |
| 4 | B17025 | 1 | Idler Wheel, SLA |
| 5 | B17026 | 1 | Flanged Idler Wheel, SLA |
| 6 | B17027 | 1 | Idler Support Bar, Horiz |
| 7 | B17028 | 1 | Idler Support, Angled |
| 8 | B17029 | 1 | Drive Wheel Support |
| 9 | B17030 | 1 | Drive Wheel Support, Notched |
| 10 | B17031 | 1 | 2.x Rotational Support A (Shoe) |
| 11 | B17032 | 1 | 2.x Rotation Support B (Shoe) |
| 12 | B17036 | 4 | Thumb Screw Cap, 5mm |
| 13 | B17037 | 2 | Thumb Screw Cap, 1/4 |
| 14 | B28034 | 4 | O-Ring |
| 15 | B28037 | 4 | Shim Washer, .25ID .375OD, .032Thk |
| 16 | B28038 | 1 | MXL Belt 1/4 Wide 112 Tooth |
| 17 | BEARING_25 | 8 | BEARING .25 .625 .190 |
| 18 | FLW04SS | 2 | Flatwasher #4 Std Size |
| 19 | FLW10SS | 2 | Flat Washer #10 |
| 20 | FLW25SS | 2 | Flatwasher 1/4" Std size |
| 21 | HBLFSN5 | 2 | Cast Bracket Misumi HBLFSN5 |
| 22 | HBLTS5 | 2 | Thin Corner Bracket |
| 23 | HFS5-2020-140 | 1 | Misumi HFS5-2020-140 |
| 24 | HFS5-2020-440 | 2 | Misumi HFS5-2020-440 |
| 25 | HFS5-2020-50 | 2 | Misumi HFS5-2020-50 |
| 26 | HN2520NLT | 2 | Hex Nut #1/4-20 Nylon Locking Thin |
| 27 | HN2520SS | 2 | Hex Nut #1/4-20 |
| 28 | HNKK5-5 | 8 | Pre-Assy Nut M5 Misumi HNKK5-5 |
| 29 | HNTP5-5 | 2 | Post Assembly Spring Nut M5 |
| 30 | SHMS252036S | 2 | Socket Head Mach Screw #1/4-20 x 2.25 |
| 31 | SHMS252040s | 2 | Socket Head Mach Screw 1/4-20 x 2.50 |
| 32 | SHMSM316S | 2 | Socket Head Screw M3 x 16mm |
| 33 | SHMSM510S | 6 | Socket Head Mach Screw M5 x 10 |
| 34 | SHMSM512S | 2 | Socket Head Mach Screw M5 x 12mm |
| 35 | SHMSM520S | 2 | socket Head Mach Screw M5 x 20mm |
| 36 | SHMSM525S | 2 | Socket Head Mach Screw M5 x 25mm |
| 37 | Spacer_192_375_375 | 2 | Spacer .192 ID .375 OD .375 Lg. |
| 38 | Spacer_252_500_250 | 2 | Spacer .252 ID .500 OD .250 Lg. |

| REVISIONS | | | |
|-----------|-------------------------|-----|---------|
| SYM | DESCRIPTION | BY | DATE |
| 1 | ORIGINAL | BJD | 5/30/11 |
| 2 | Hardware clean up | BJD | 7/20/11 |
| 3 | Fixed some part numbers | BJD | 7/21/11 |
| 4 | Hardware cleanup | BJD | 7/23/11 |



The work is licensed under a Creative Commons Attribution-Share Alike 3.0 License

| | | | |
|-------------|-----|---------|---|
| DRAWN | BJD | 5/30/11 | Rotational Engraving Adapter  www.buildlog.net D30038 |
| CHECKER | | | |
| MECH. ENGR. | | | |
| ELEC. ENGR. | | | |
| PROJ. ENGR. | | | |
| CHIEF ENGR. | | | SCALE |
| | | | SHEET 1 OF 2 |

| REVISIONS | |
|-----------|-------------|
| SYM | DESCRIPTION |
| 3 | See Sheet 1 |

F

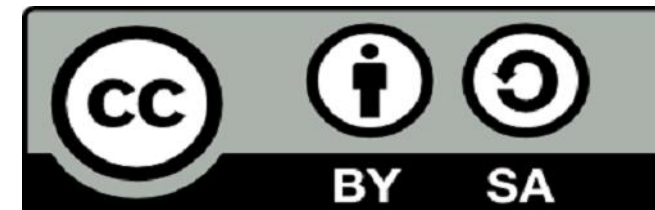
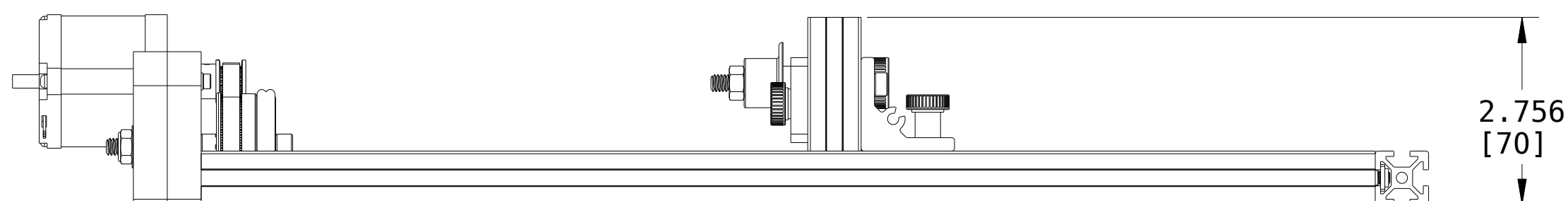
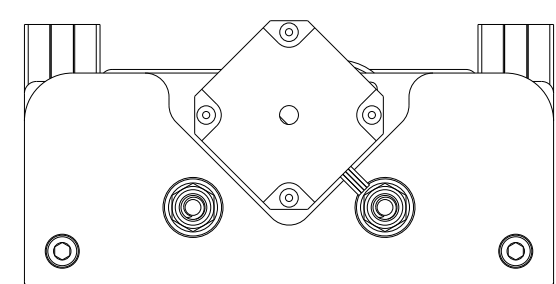
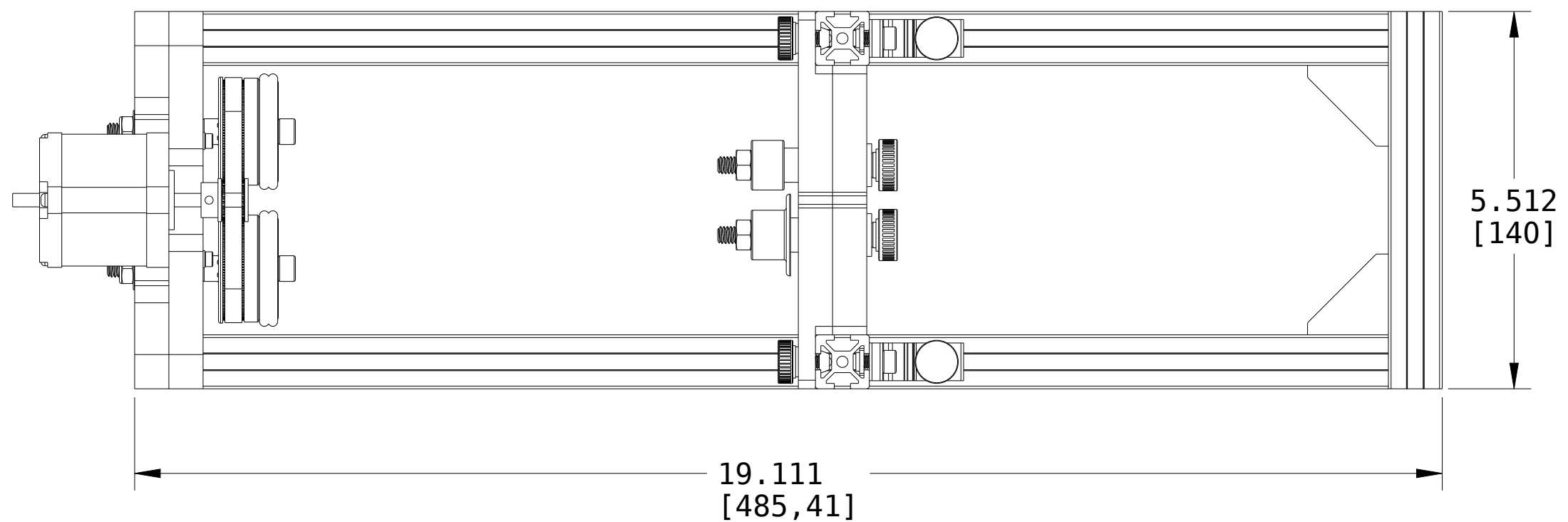
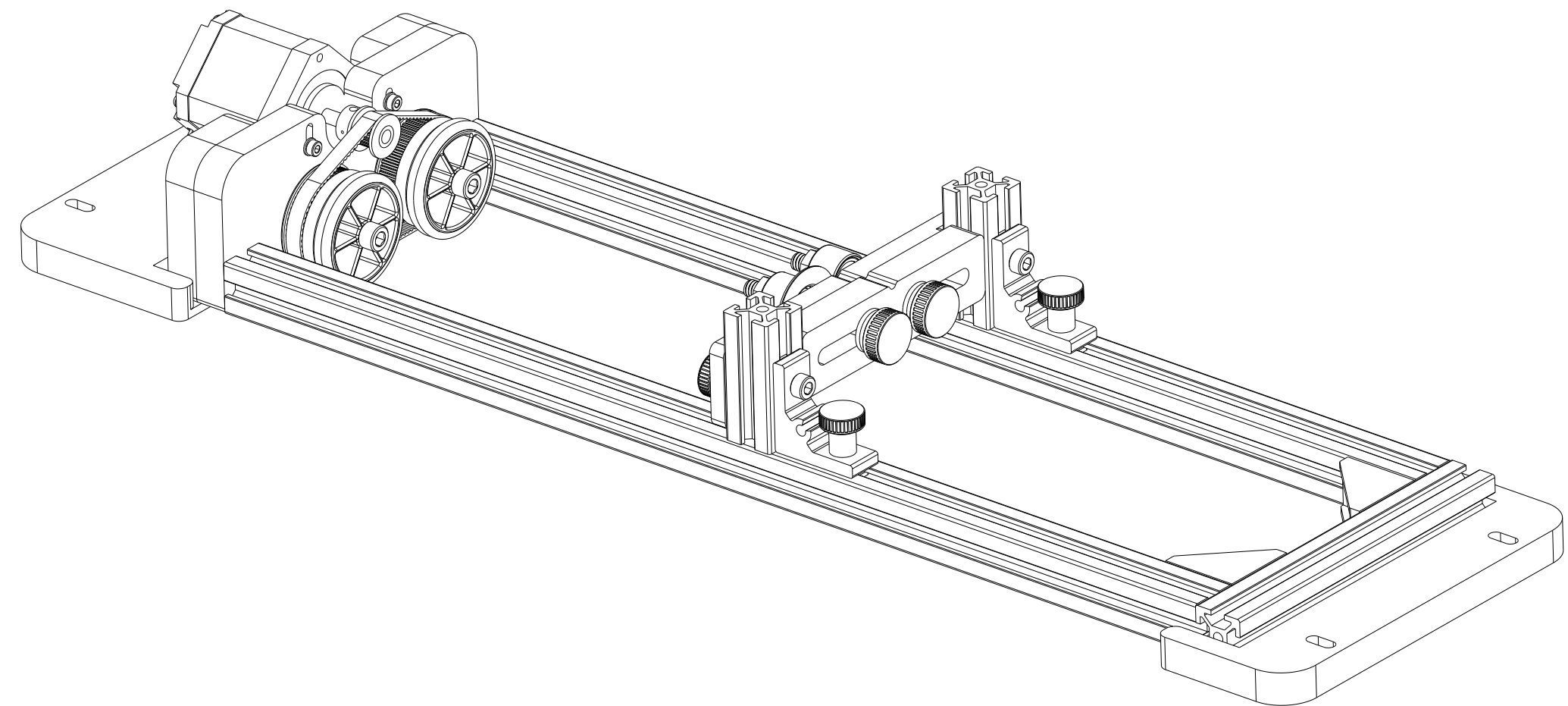
E

D

C

B

A



The work is licensed under a Creative Commons Attribution-Share Alike 3.0 License

| | | |
|-------------|-----|---------|
| DRAWN | BJD | 5/30/11 |
| CHECKER | | |
| MECH. ENGR. | | |
| ELEC. ENGR. | | |
| PROJ. ENGR. | | |
| CHIEF ENGR. | | |

Rotational Engraving Adapter



www.buildlog.net

D30038

SCALE

SHEET 2 OF 2