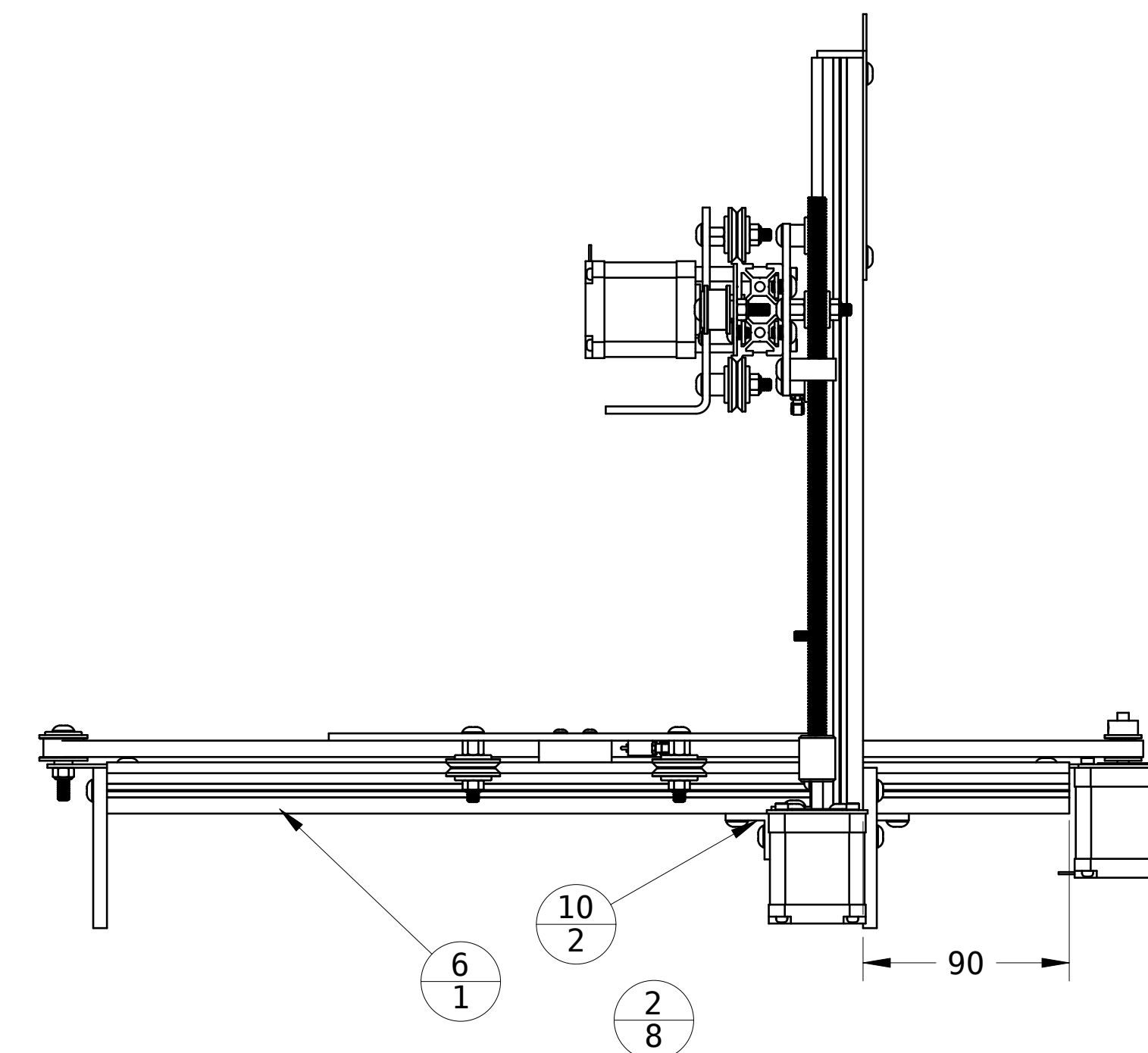
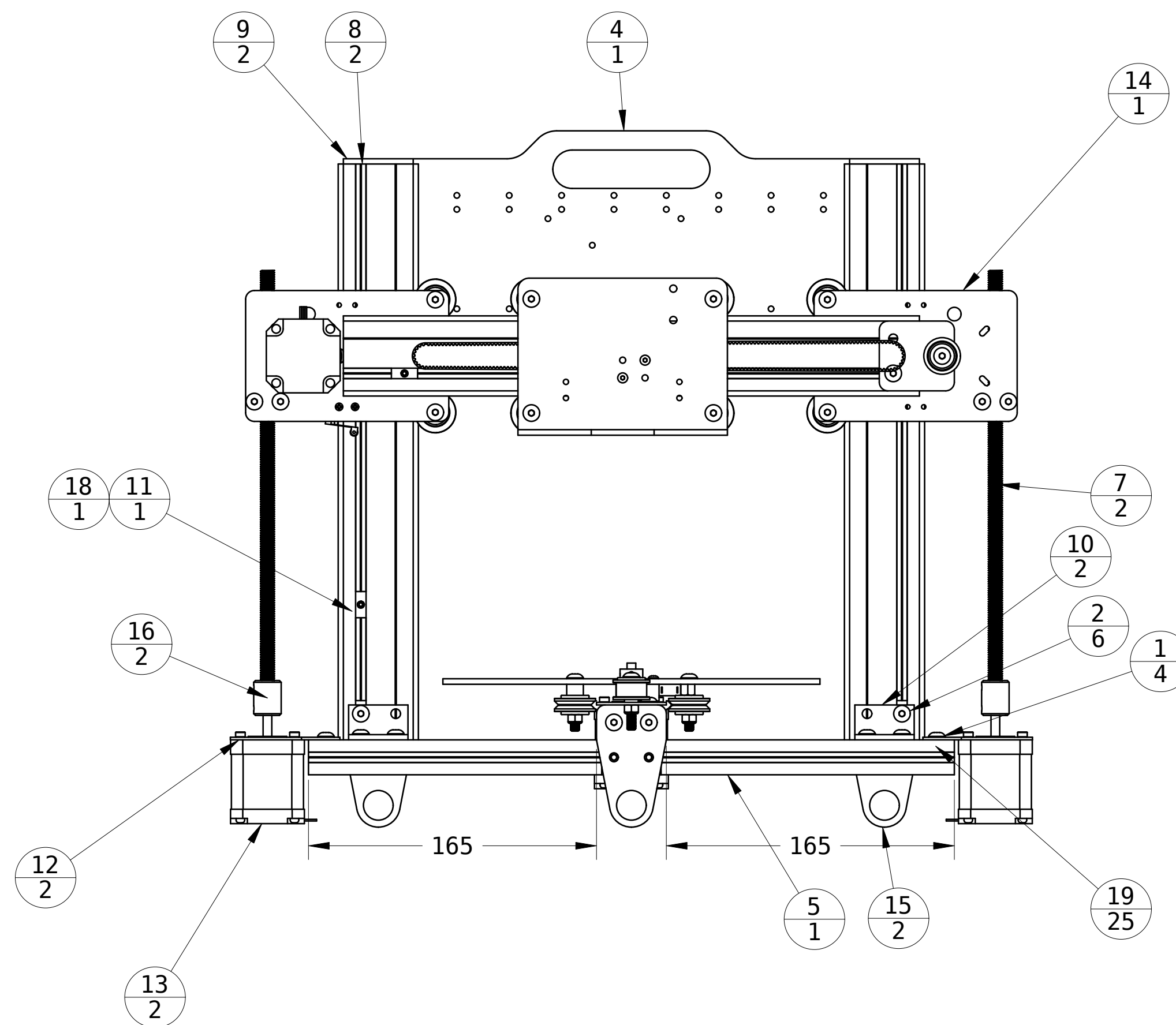
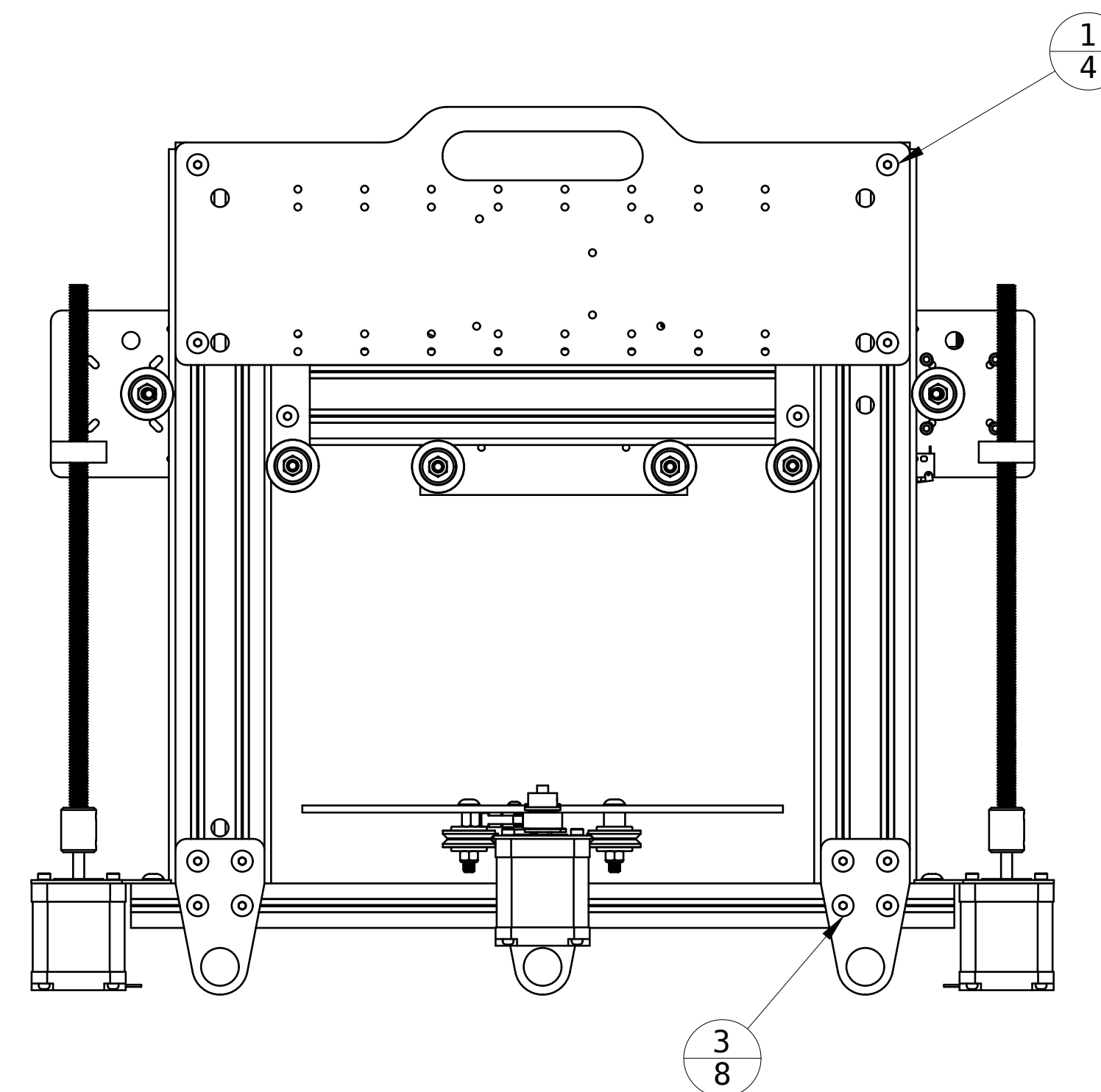
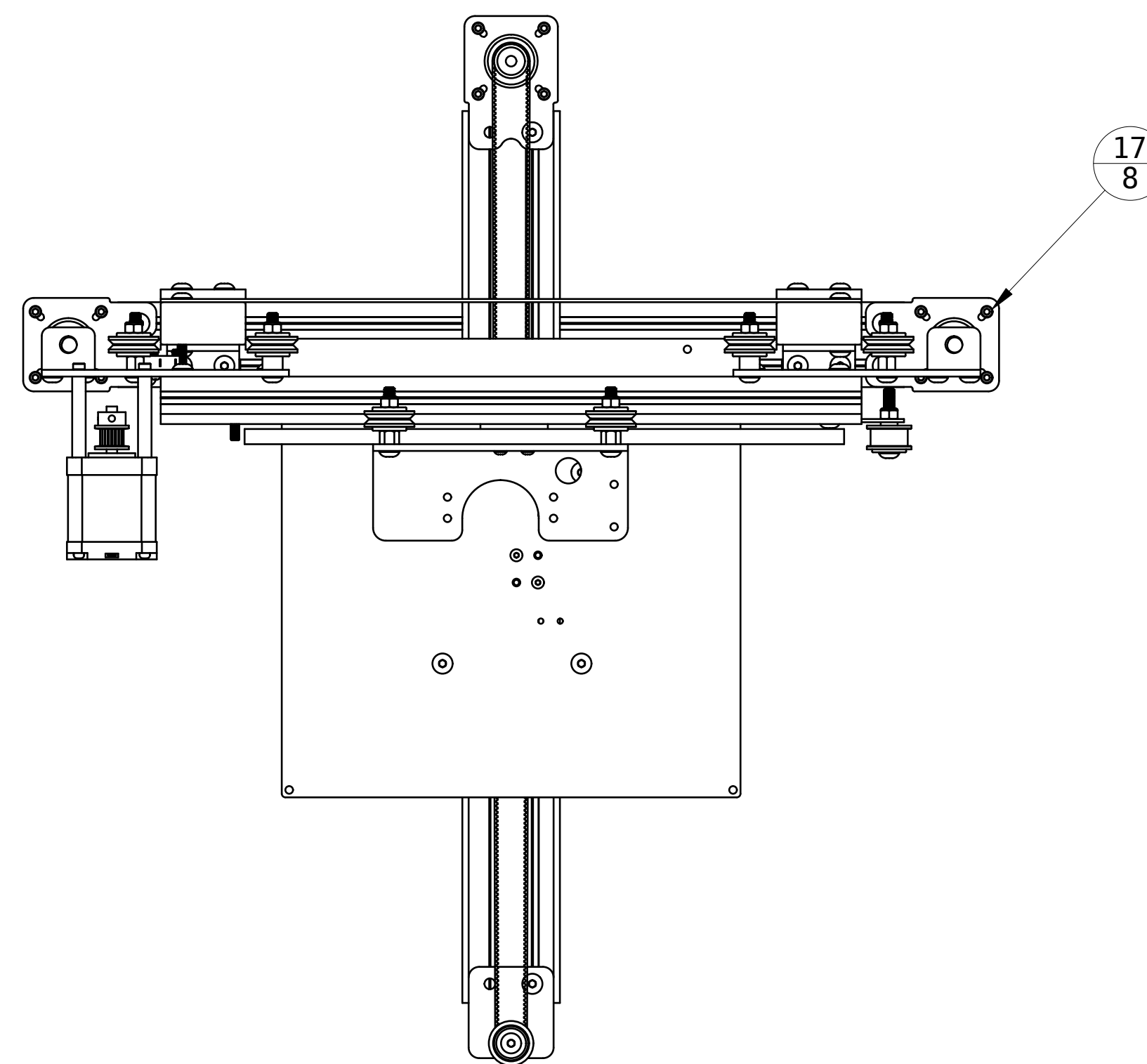



ITEM	PART NUMBER	QTY	DESCRIPTION
1	BHCSM506S	8	Button Head Cap Screw M5 x 6
2	BHCSM508S	14	Button Head Cap Screw M5 x 8
3	BHCSM512S	8	Button Head Cap Screw M5 x 12mm
4	C17056	1	Electronics Plate
5	HFS5-2040-370	1	generic
6	D30063	1	Hadron Y Axis Assy
7	B18031-245	2	M8 x 1.25 x 245mm
8	B17022_330	2	MakerSlide 330mm Long
9	HFC5-2040-B	2	Misumi 2040 End Cap, Black
10	HBLSD5	4	Misumi Bracket, 2 Wide
11	HNKK5-4	1	Misumi M4 T-NUT
12	B14011	2	Motor Bracket
13	B10-10007	2	Nema 17 Stepper Motor
14	D30052	1	Ord Bot Gantry
15	B17049	2	Plastic Foot
16	B28045	2	Shaft coupler 5mm - 8mm
17	SHMSM304S	8	Socket Head Screw M3 x 4
18	SHSSM416S	1	Socket Head Set Screw
19	HNKK55	25	T-Nut M5

REVISIONS			
SYM	DESCRIPTION	BY	DATE
1	ORIGINAL	BJD	3/20/12
2	Cleanup	BJD	4/6/12

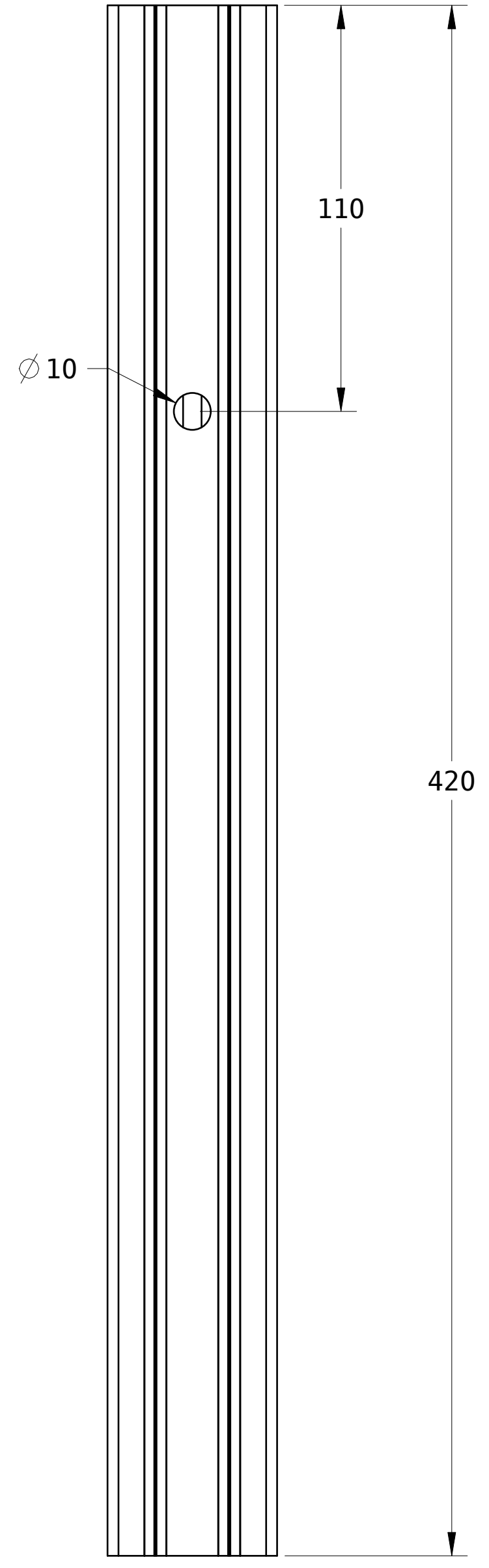
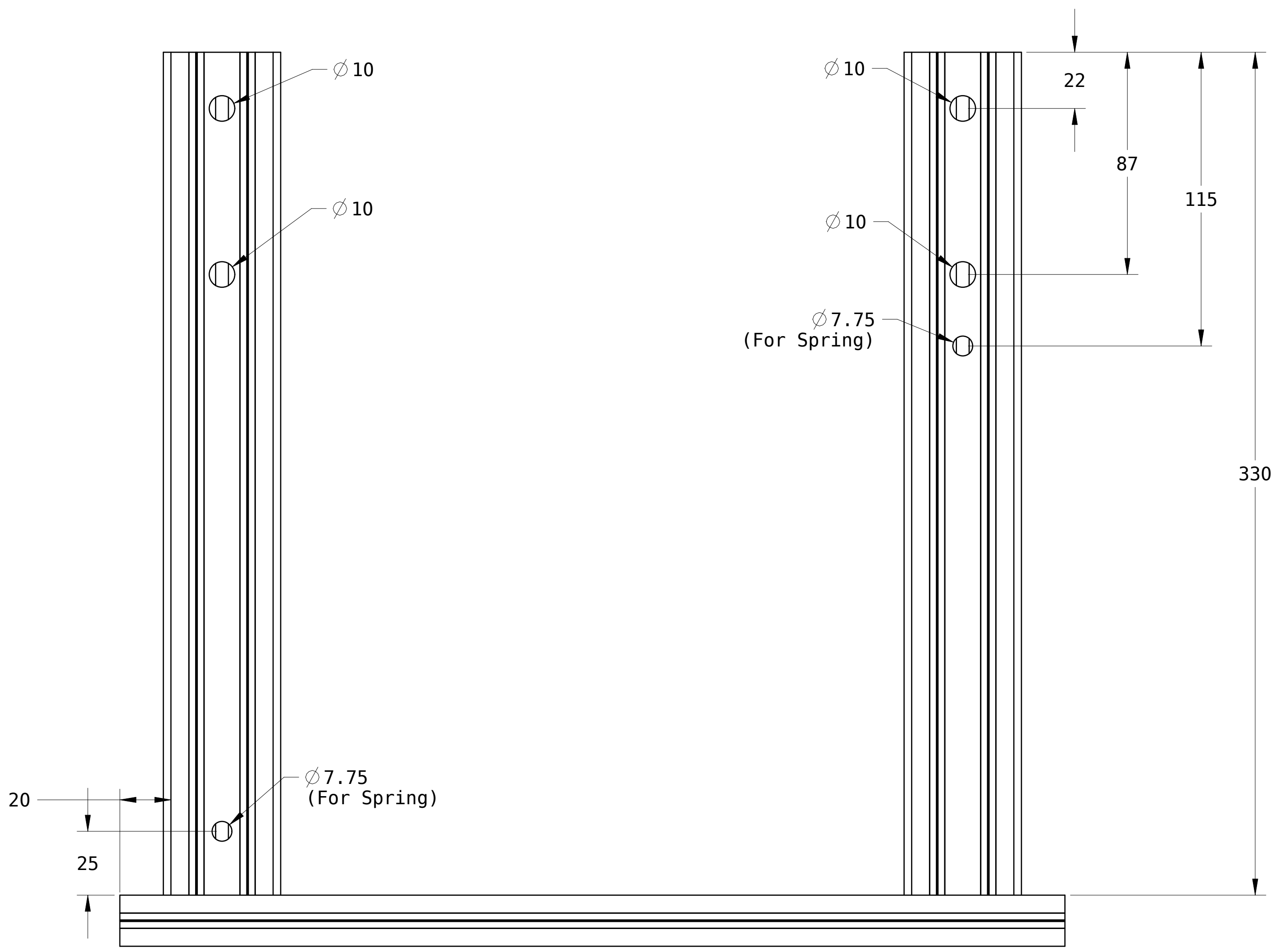
F  
E  
D  
C  
B  
A



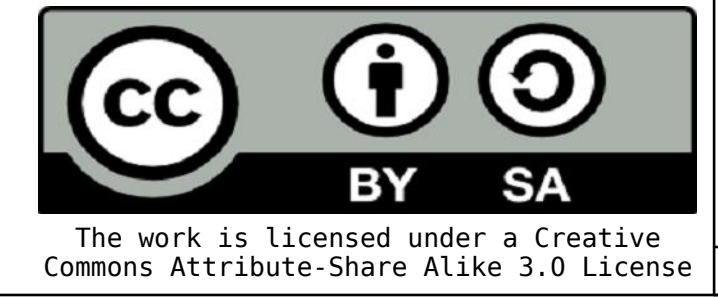
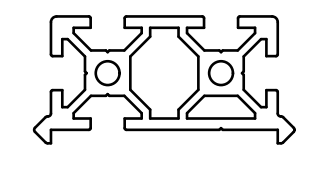
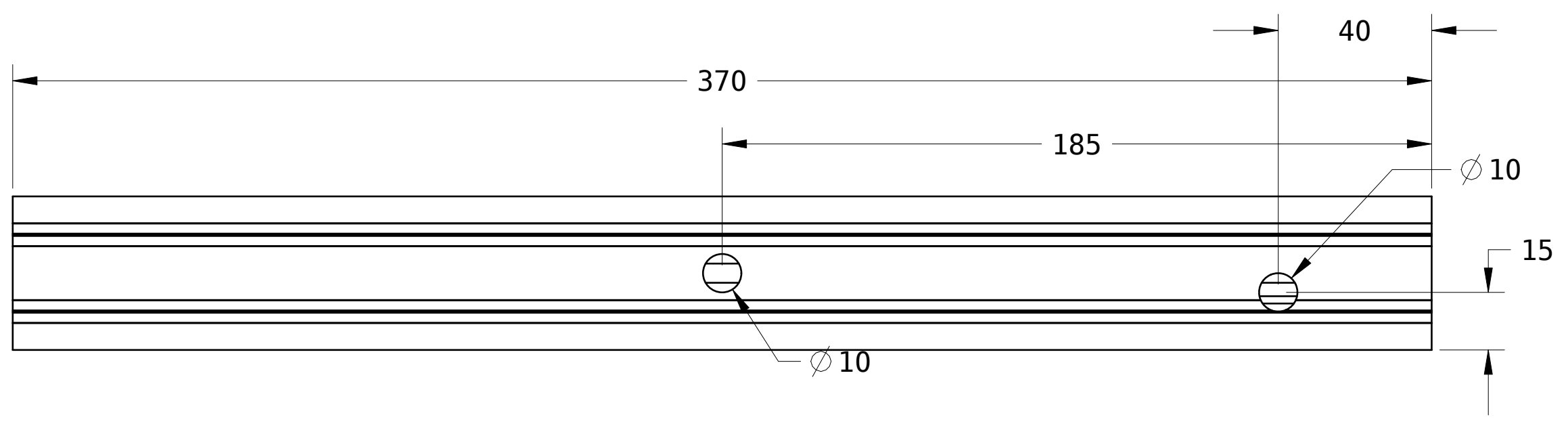
The work is licensed under a Creative Commons Attribution-Share Alike 3.0 License


DRAWN	BJD	3/20/12	<b>Hadron ORD Bot</b>  <a href="http://www.buildlog.net">www.buildlog.net</a>
CHECKER			
MECH. ENGR.			
ELEC. ENGR.			
PROJ. ENGR.			
CHIEF ENGR.			D30060
SCALE			SHEET 1 OF 2

REVISION	
SYM	DESCRIPTION
2	SEE SHEET 1



**All holes drilled on non-v-rail side!  
Drill approx 10mm deep**



Hadron ORD Bot	 www.buildlog.net
SCALE	D30060
SHEET 2 OF 2	