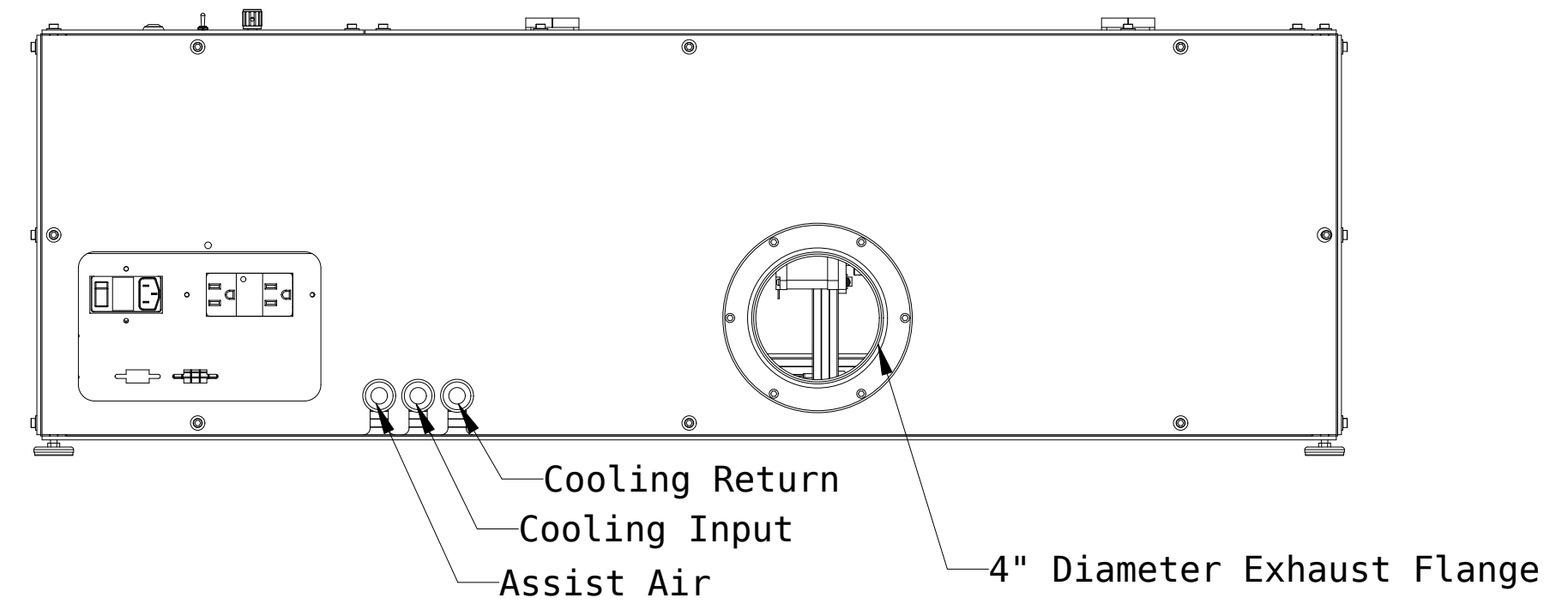
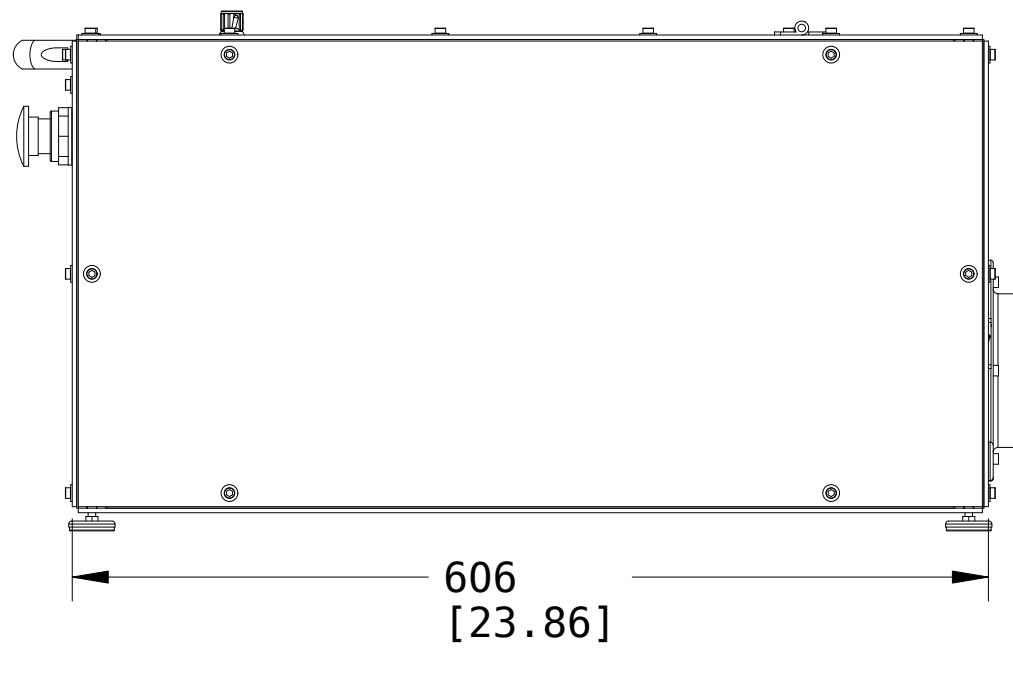
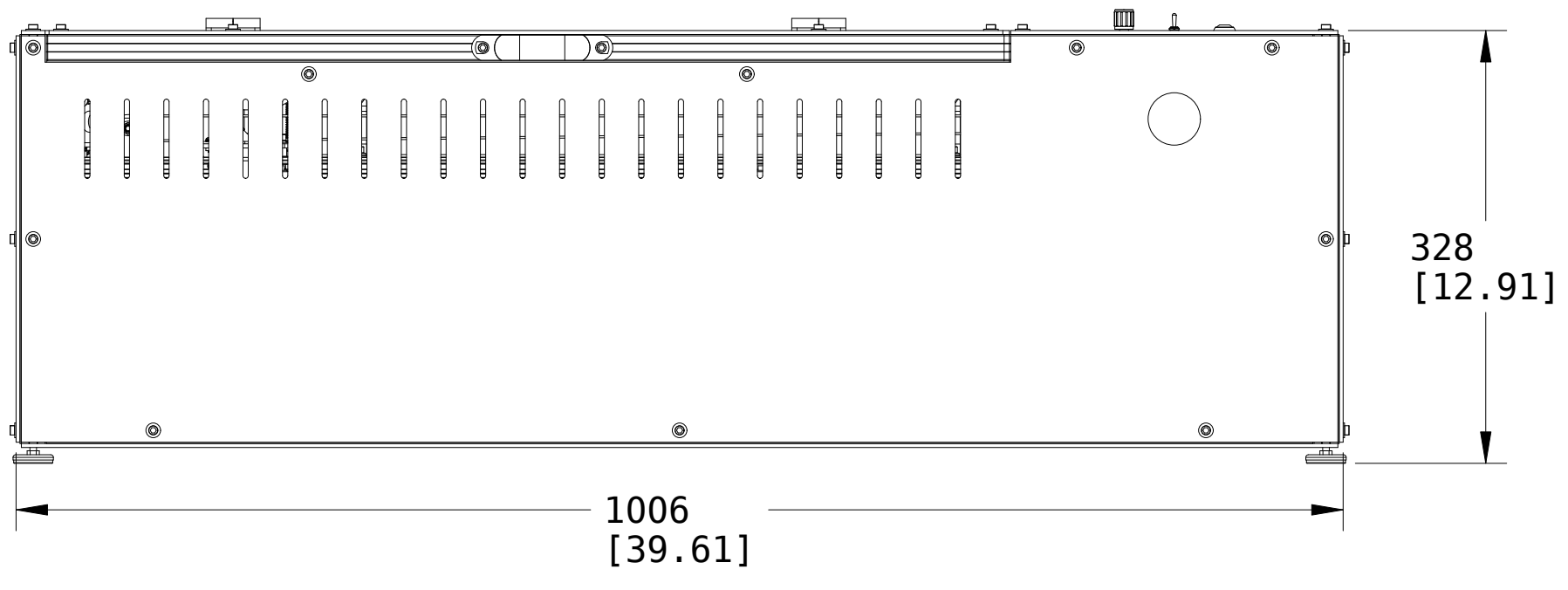
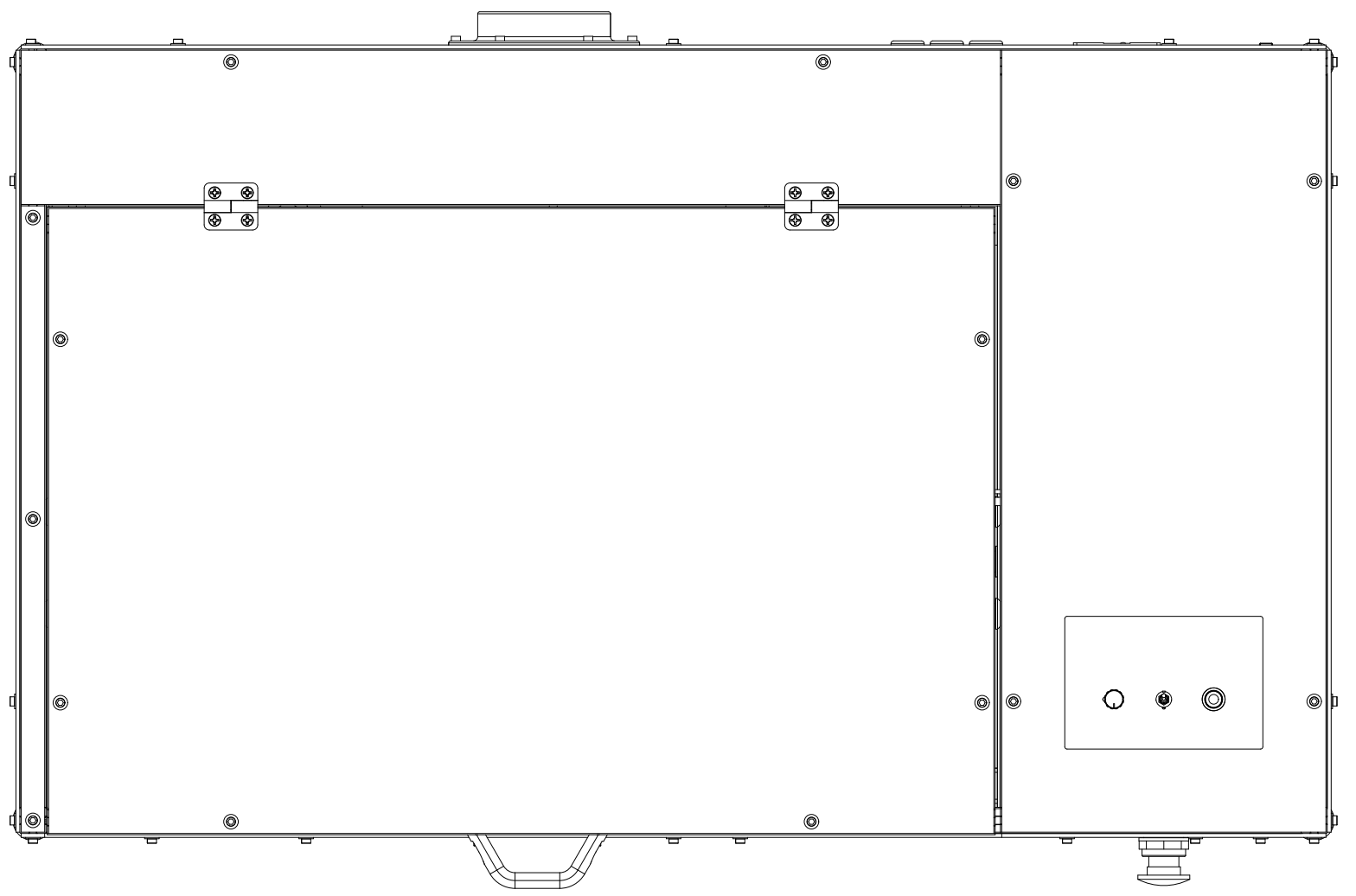
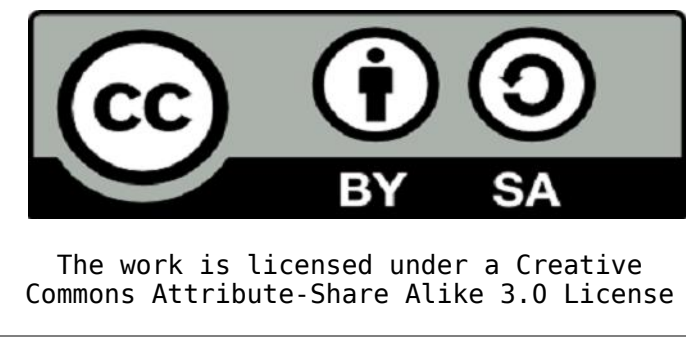



REVISIONS			
SYM	DESCRIPTION	BY	DATE
1	ORIGINAL	BJD	12/24/10
2	Updated	BJD	2/23/11
3	Update to latest configuration	BJD	11/29/11



Notes:
 1. dimensions are for reference only. Surface features and protrusions are not included



DRAWN	BJD	12/24/10	Laser Interface Drawing	 www.buildlog.net
CHECKER				
MECH. ENGR.				
ELEC. ENGR.				
PROJ. ENGR.				
CHIEF ENGR.			D43001	
SCALE				SHEET 1 OF 1