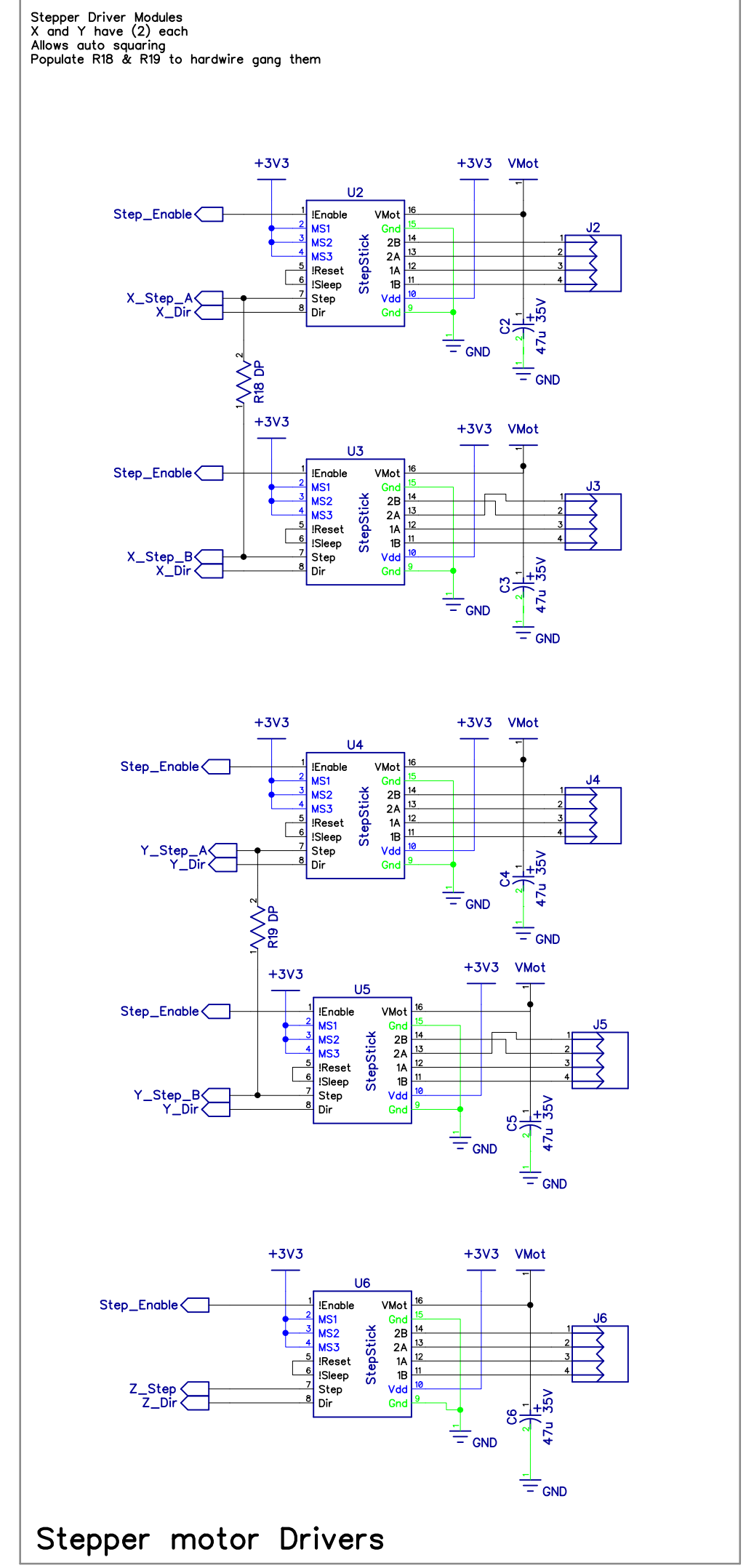
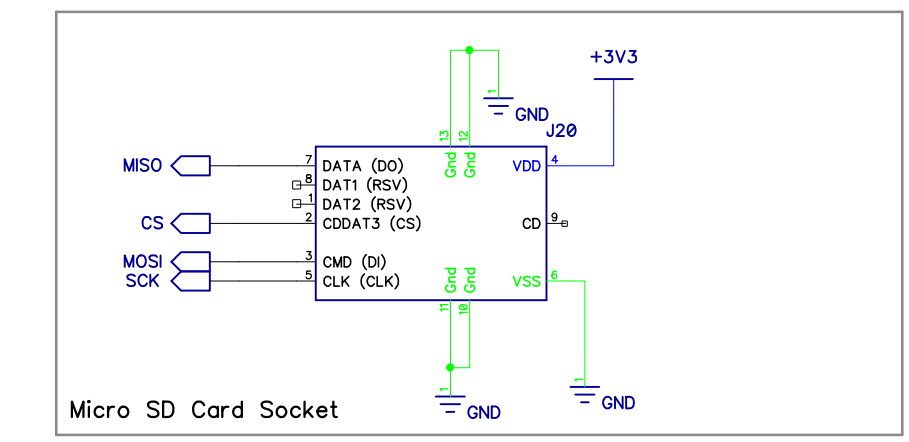
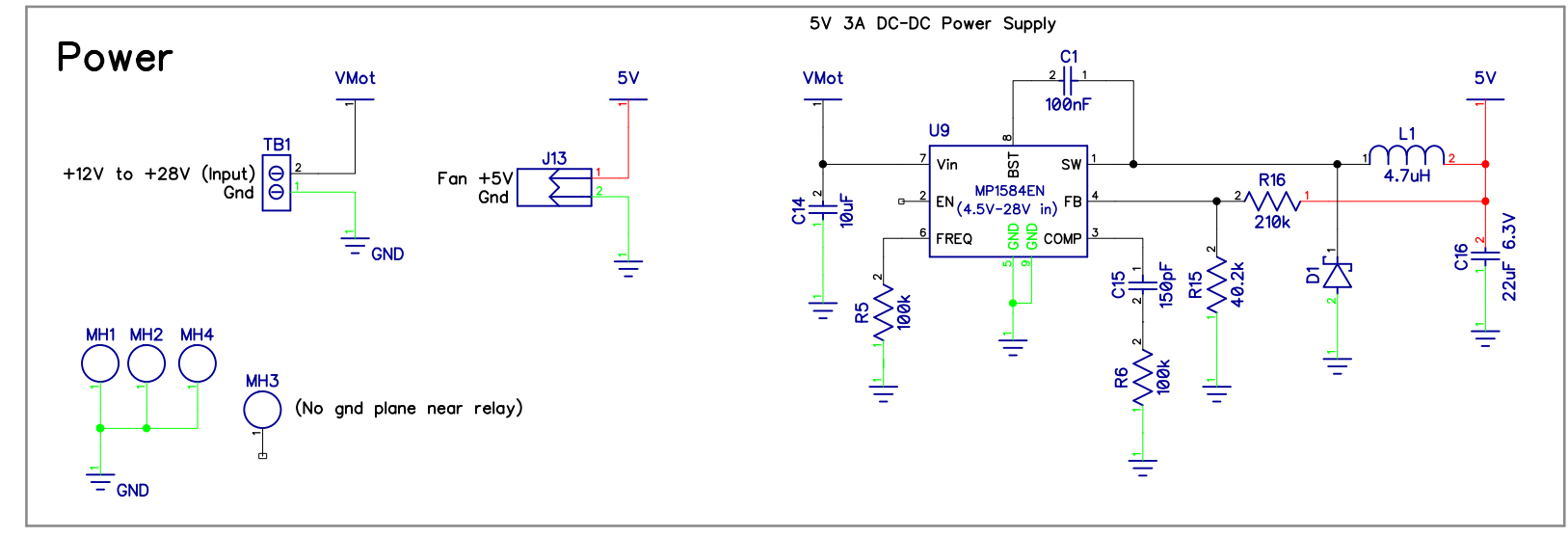
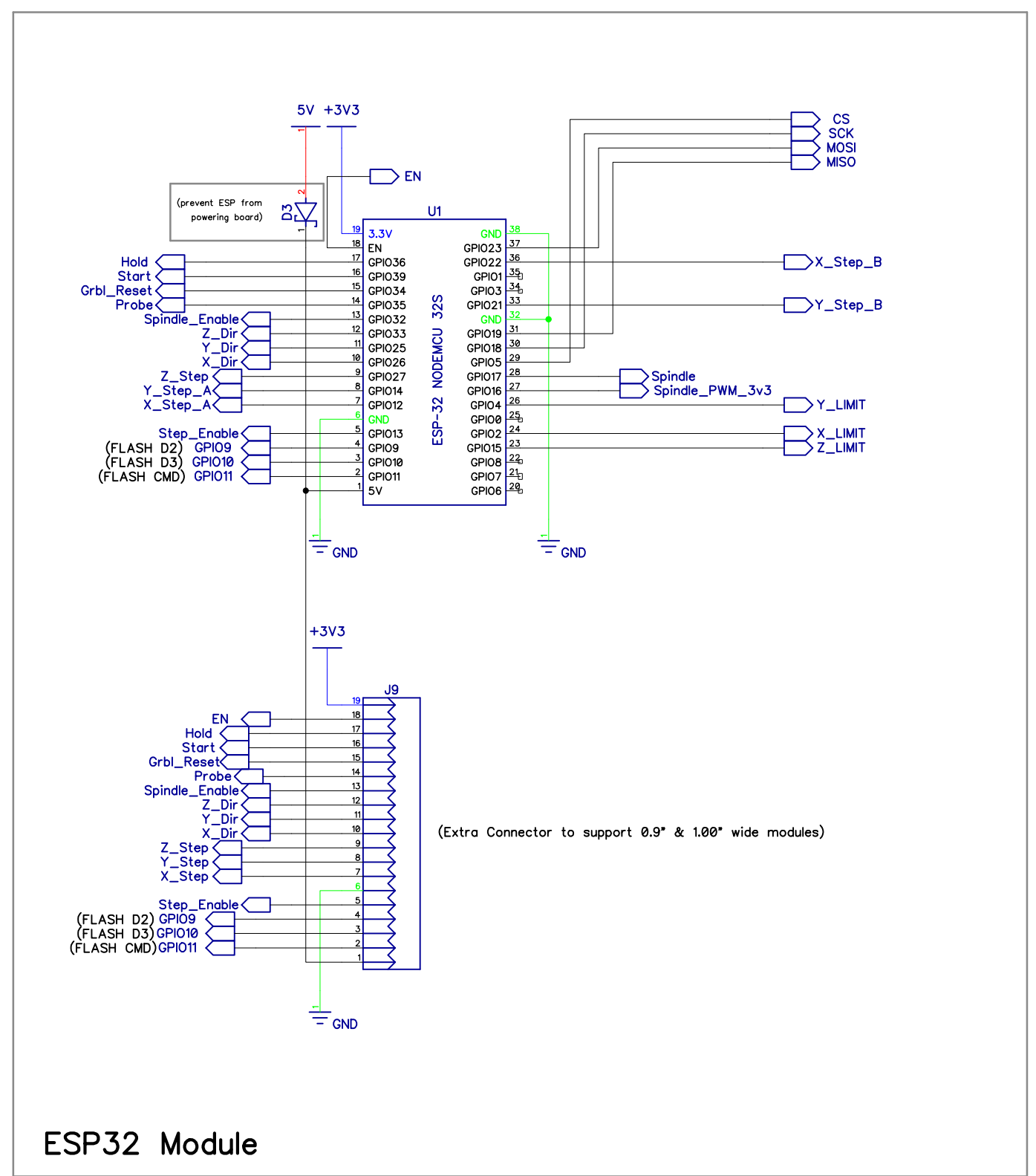
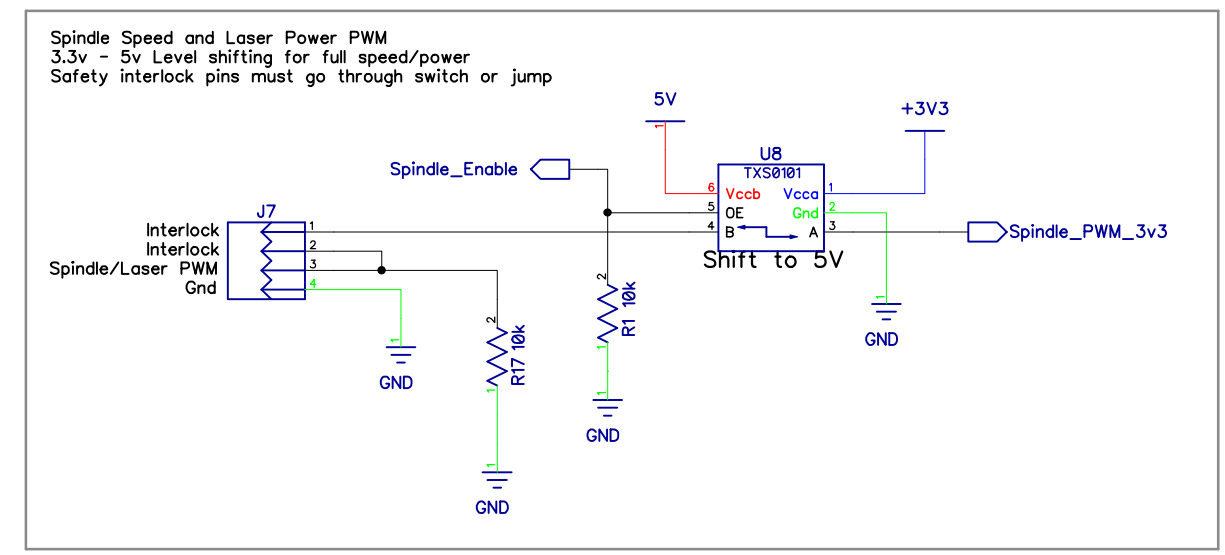
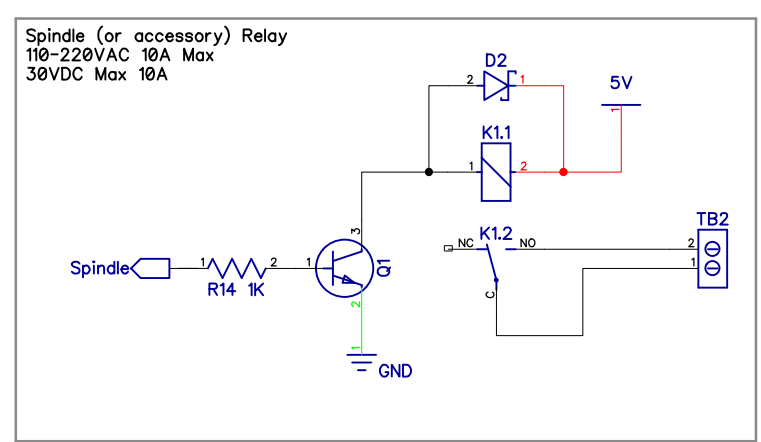
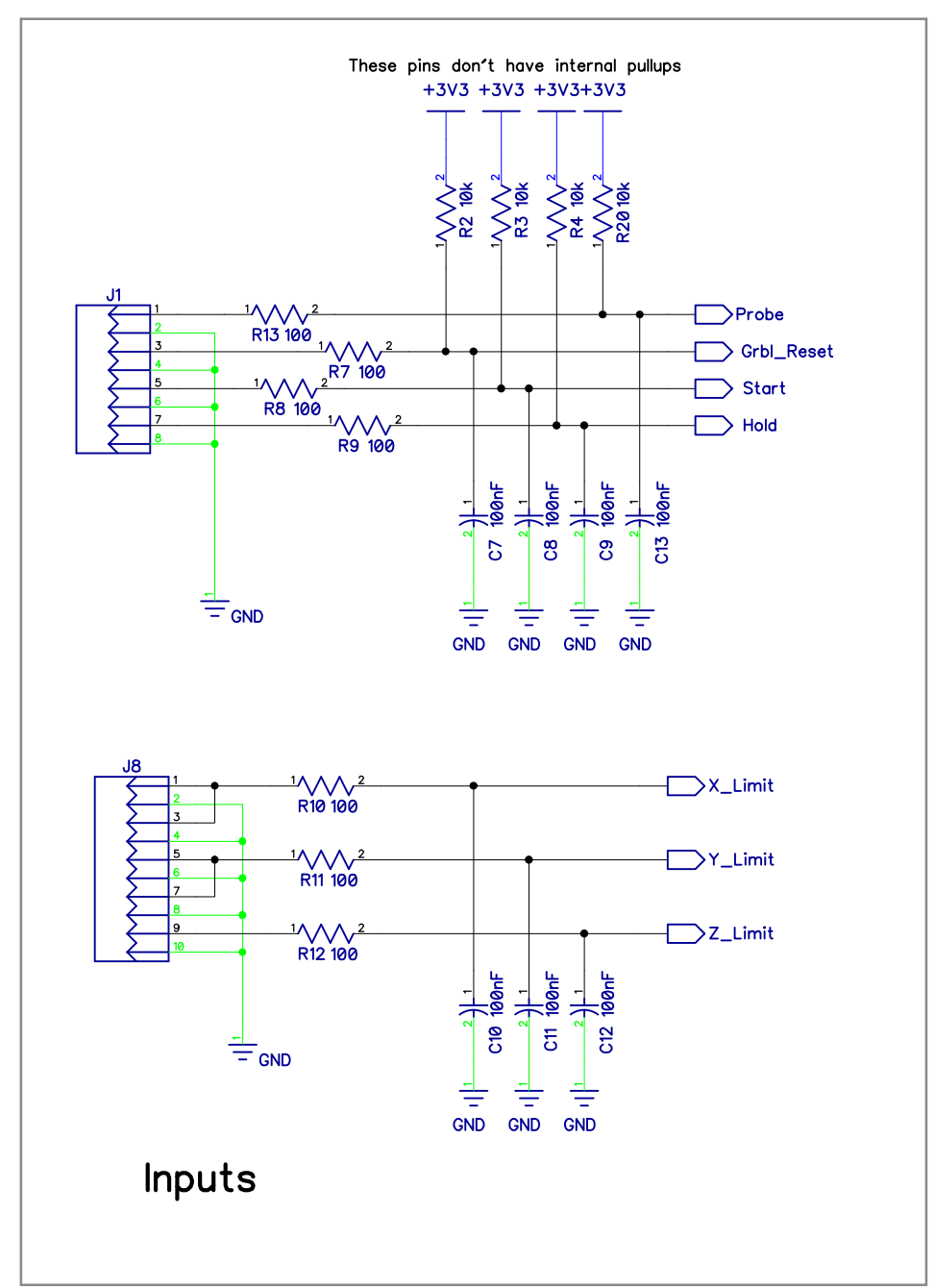


REVISIONS				
ZONE	REV	DESCRIPTION	DATE	APPROVED



MPCNC Controller V1				
A Controller for Grbl_ESP32				
Buildlog.net	SIZE	FSCM NO.	DWG NO.	REV 1
	SCALE		Sheet 1	



4 3 2 1

D

C

B

A