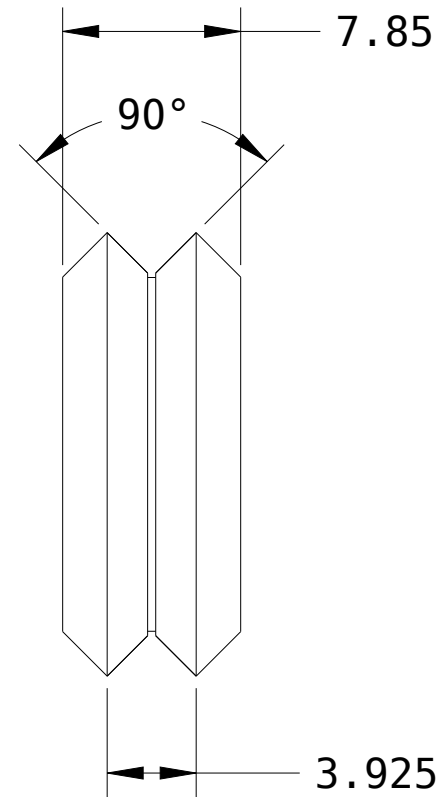
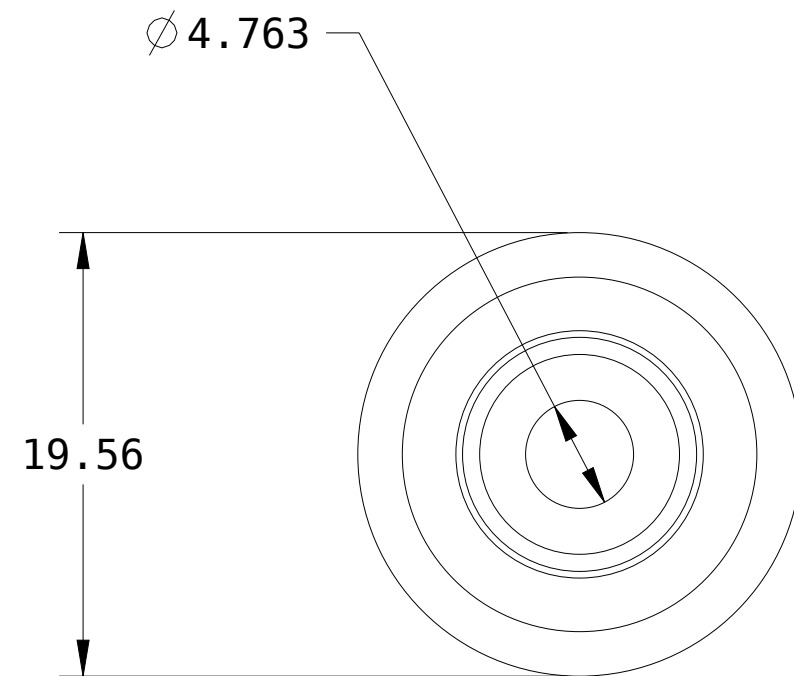



REVISIONS				APPROVALS		
SYM	DESCRIPTION	BY	DATE	ENGRG	PROD	Q.A.
1	ORIGINAL	BJD	9/15/10			



The work is licensed under a Creative Commons Attribution-Share Alike 3.0 License

UNLESS OTHERWISE SPECIFIED:		DRAWN	BJD	9/15/10	V WHEEL 3/16 SEALED	 www.buildlog.net
FRACTIONAL	± 1/32	CHECKER				
DECIMAL	.XXX ± .010	MECH. ENGR.				
	.XX ± .020	ELEC. ENGR.				
ANGULAR	± 1/2°	PROJ. ENGR.				
MATERIAL:		CHIEF ENGR.				B14-10001
SPEC:					SCALE	SHEET 1 OF 1
FINISH:						
SPEC:						

DO NOT SCALE