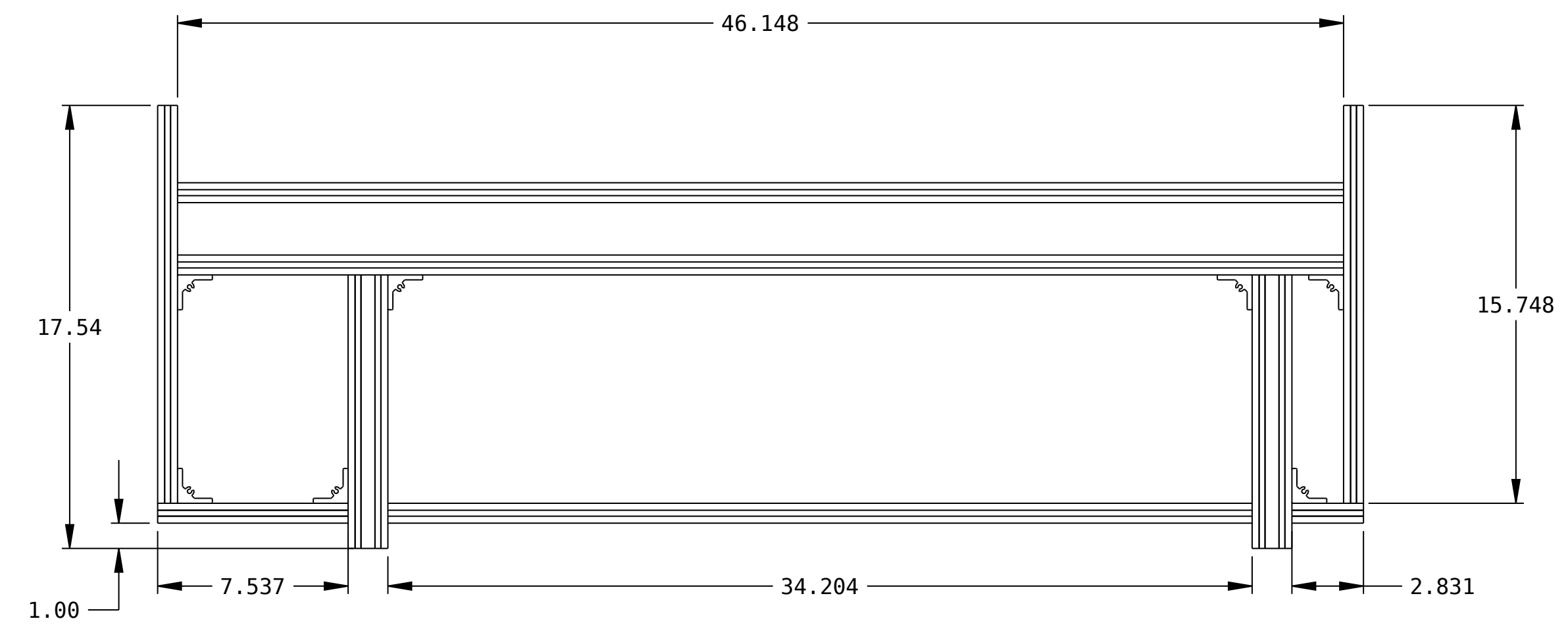
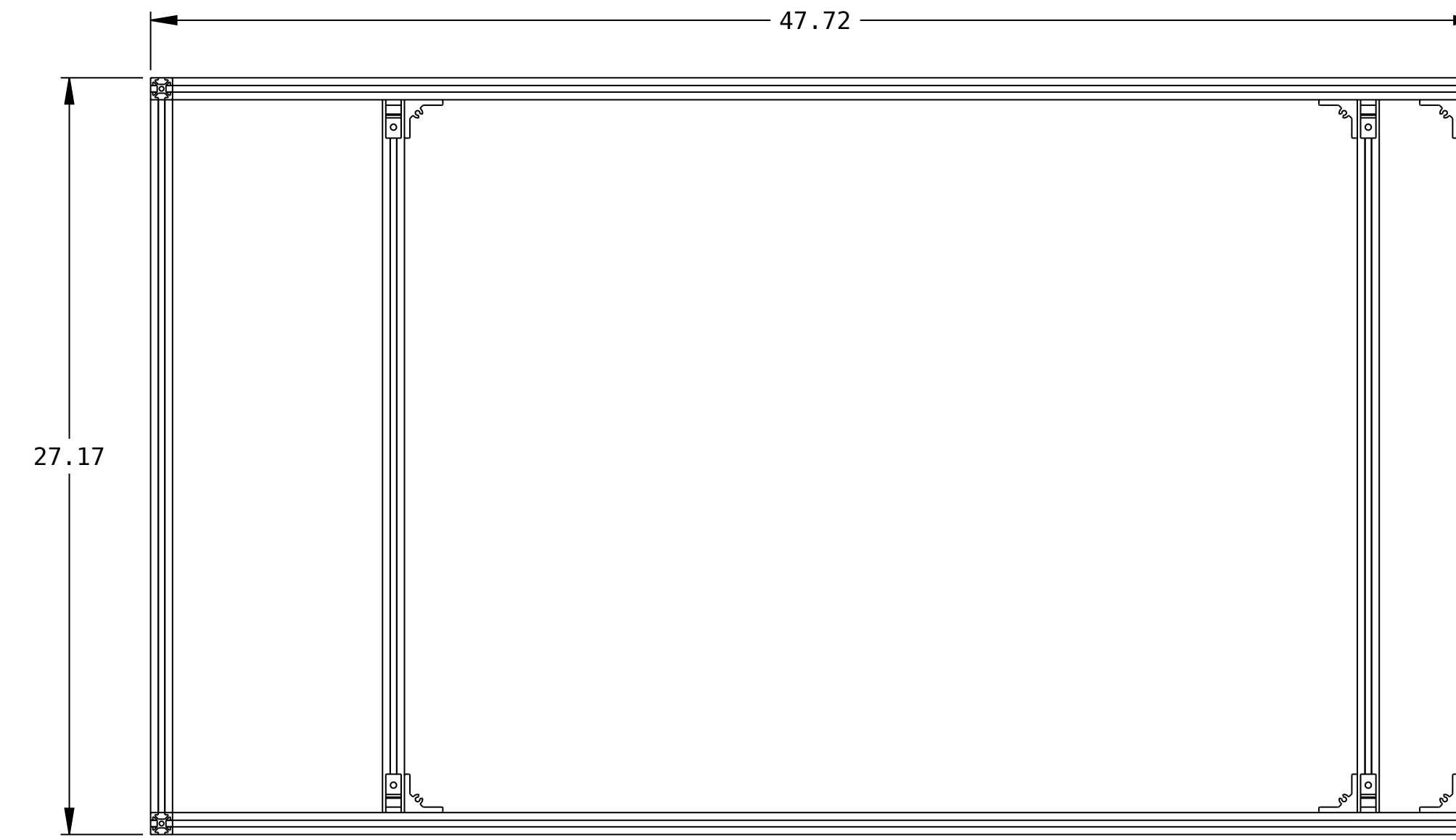
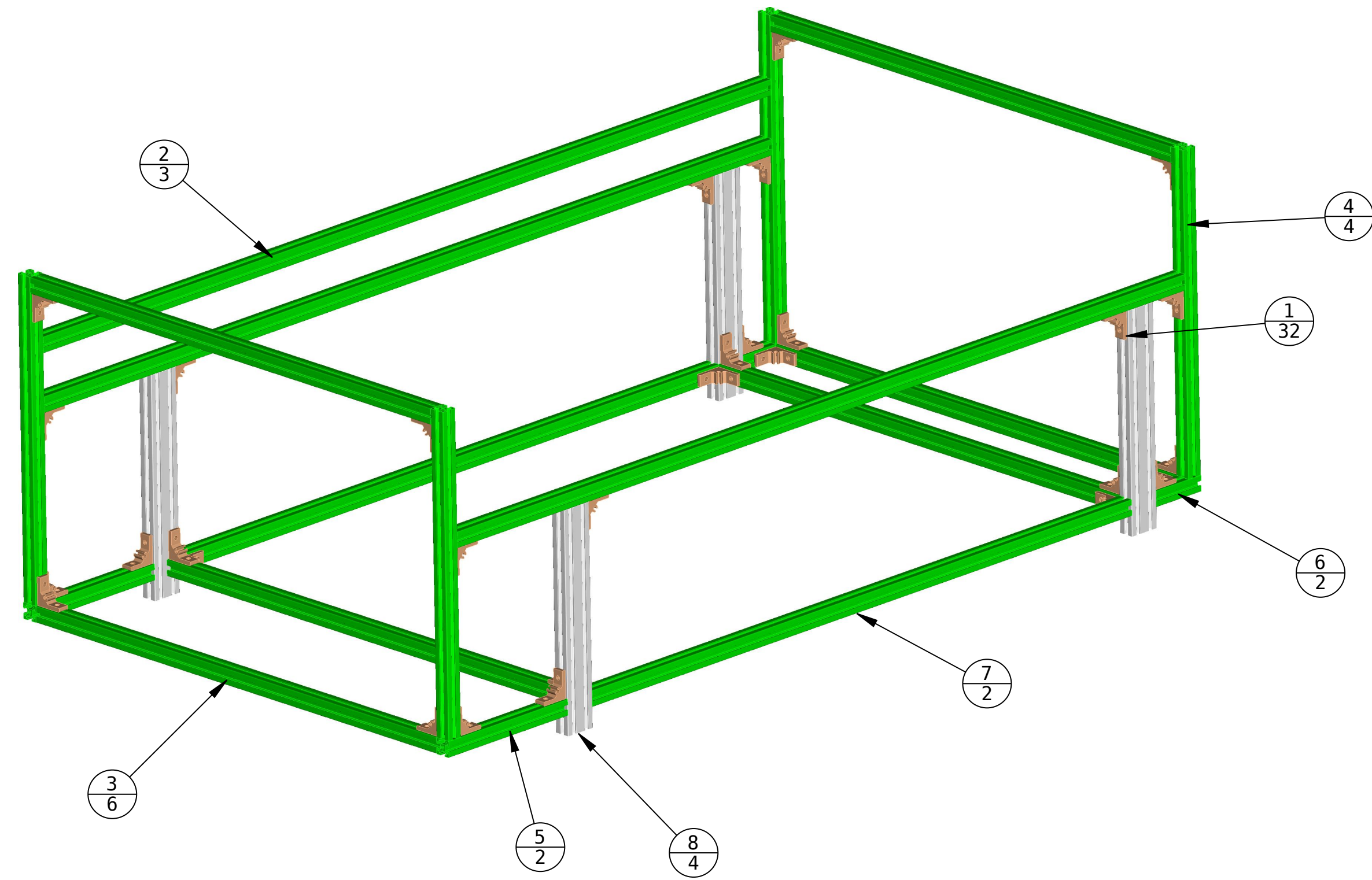


ITEM	SYM	PART NUMBER	QTY	DESCRIPTION
1		CORNER BRACKET	32	MISUMI HBLT55
2		EXT_2020_4	3	MISUMI HF55-2020
3		EXTR_2020_2	6	MISUMI HF55-2020 EXTRUSION
4		EXTR_2020_3	4	MISUMI HF55-2020 EXTRUSION
5		EXTR_2020_5	2	MISUMI HF55-2020 EXTRUSION
6		EXTR_2020_6	2	MISUMI HF55-2020 EXTRUSION
7		EXTR_2020_1	2	MISUMI HF55-2020
8		EXTR_2040_VERT	4	MISUMI HF55-2040

REVISIONS				APPROVALS		
SYM	DESCRIPTION	BY	DATE	ENGRG	PROD	Q.A.
1	ORIGINAL	BJD	7/7/09			
2	REVISED	BJD	7/22/09			

F
E
D
C
B
A



UNLESS OTHERWISE SPECIFIED:		DRAWN	BJD	7/7/09	ENGRAVER FRAME ASSY	FRAME
FRACTIONAL	± 1/32	DO NOT SCALE	CHECKER			
DECIMAL	.XXX ± .010		MECH. ENGR.			
ANGULAR	.XX ± .020 ± 1/2°		ELEC. ENGR.			
MATERIAL SPEC:		PROJ. ENGR.				
FINISH SPEC:		CHIEF ENGR.			SCALE	FSCM NO. 16469
					SHEET 1 OF 1	