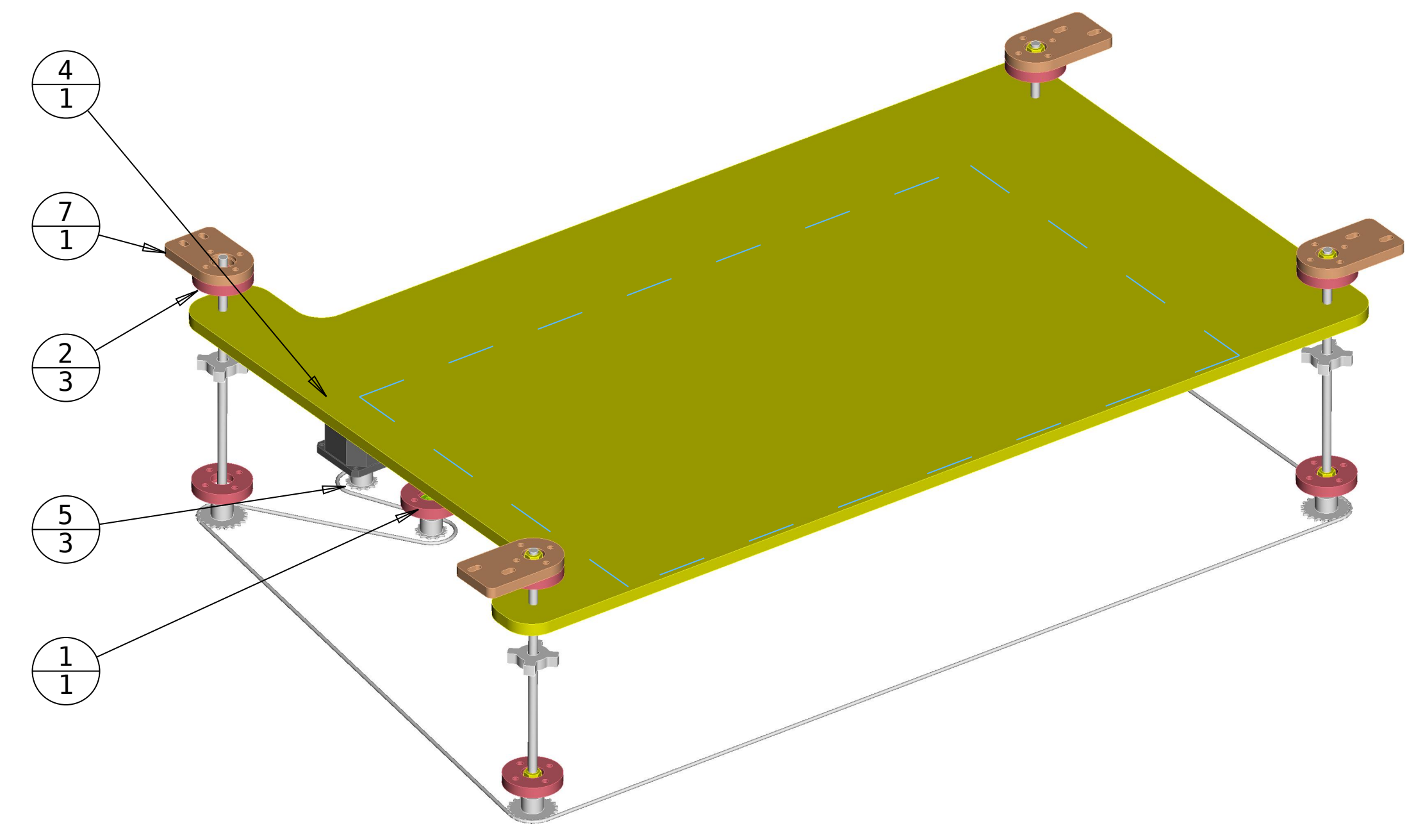
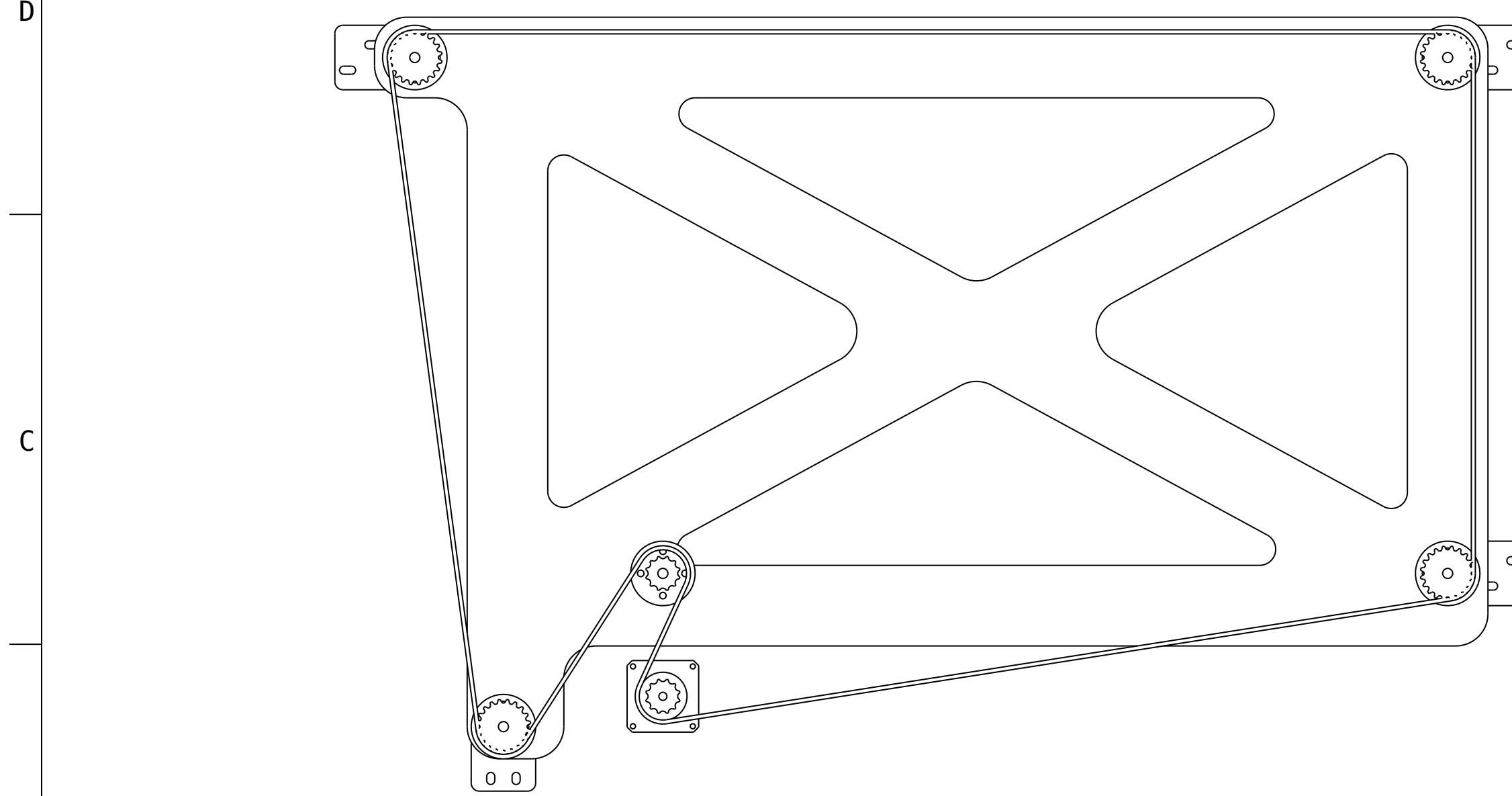
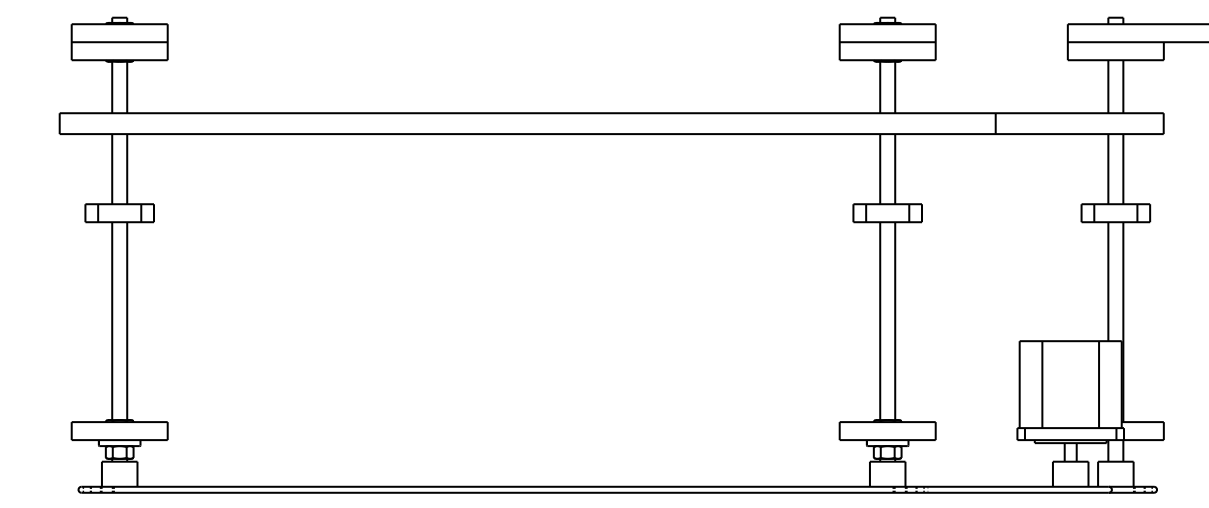
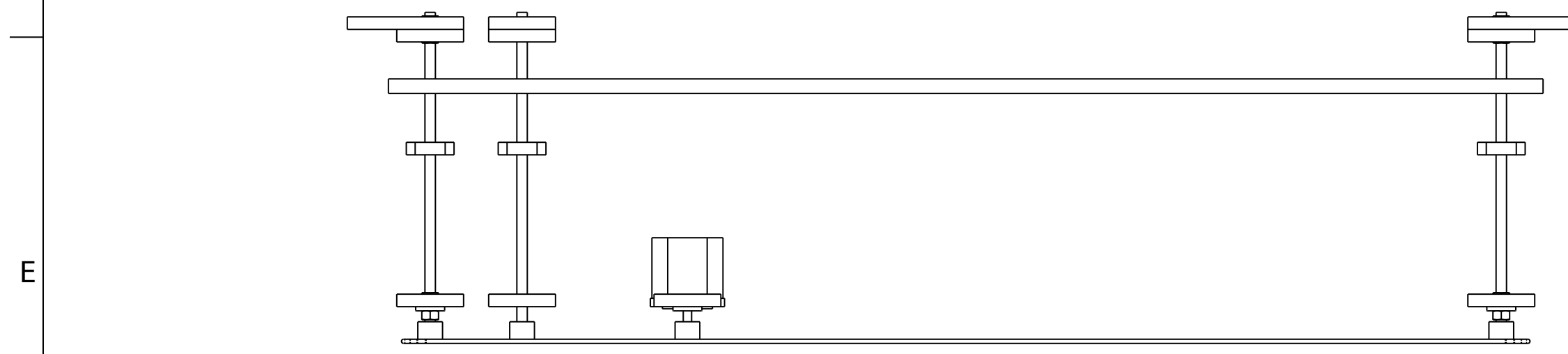
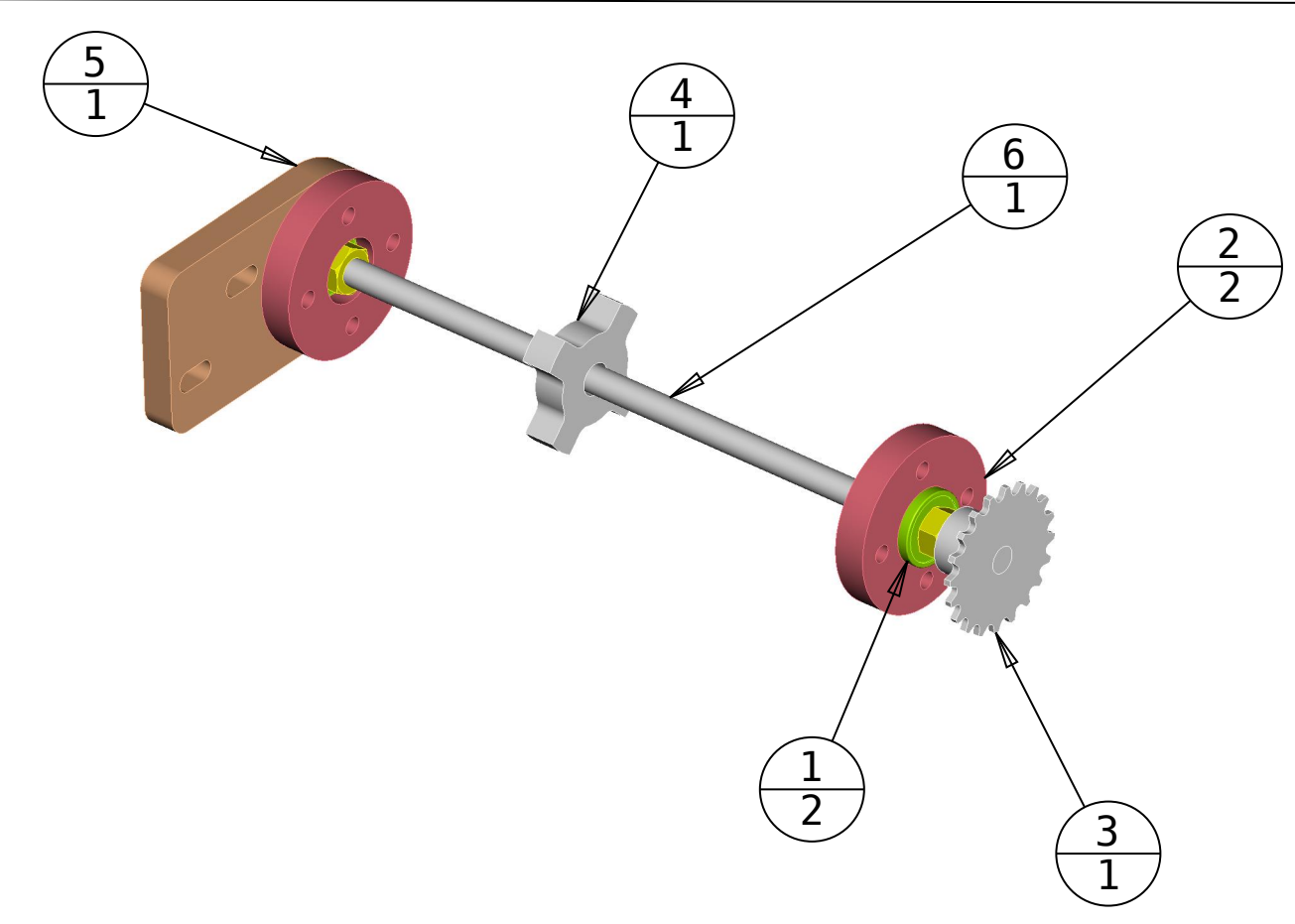


ITEM	SYM	PART NUMBER	QTY	DESCRIPTION
1		bearing_8_22_7	1	BEARING 8mm 22mm 7mm
2		BEARING_CLAMP	3	Table Bearing Clamp
3		DECK_RISER	3	Table Deck Riser Assy
4		NEMA_23	1	STEPPER MOTOR NEMA 23
5		SPROCKET_25_312_12T	3	SPROCKET #25 .312 BORE 12T
6		TABLE_LIFT_NUT	1	TABLE LIFTING NUT
7		TABLE_TOP_BRACKET_2020	1	TABLE TOP BRACKET FOR 2020
8		Z_SHAFT	1	Z THREADED SHAFT

REVISIONS				APPROVALS		
SYM	DESCRIPTION	BY	DATE	ENGRG	PROD	Q.A.
1	ORIGINAL	BJD	7/8/09			
2	MINOR UPDATE	BJD	1/4/10			



ITEM	SYM	PART NUMBER	QTY	DESCRIPTION
1		bearing_8_22_7	2	BEARING 8mm 22mm 7mm
2		BEARING_CLAMP	2	Table Bearing Clamp
3		SPROCKET_25_312_12T	1	SPROCKET #25 .312 BORE 12T
4		TABLE_LIFT_NUT	1	TABLE LIFTING NUT
5		TABLE_TOP_BRKT_2040	1	TABLE TOP BRACKET FOR 2040
6		Z_SHAFT	1	Z THREADED SHAFT



DECK RISER ASSEMBLY

UNLESS OTHERWISE SPECIFIED:		DRAWN	BJD	7/8/09	<b>LIFT TABLE ASSEMBLY</b>	<b>TABLE_ASSY</b>
FRACTIONAL	± 1/32	<b>DO NOT SCALE</b>	CHECKER			
DECIMAL	.xxx ± .010		MECH. ENGR.			
ANGULAR	.xx ± .020		ELEC. ENGR.			
MATERIAL SPEC:		PROJ. ENGR.				
FINISH SPEC:		CHIEF ENGR.				
SCALE		FSCM NO. 16469		SHEET 1 OF 1		