

1

2

3

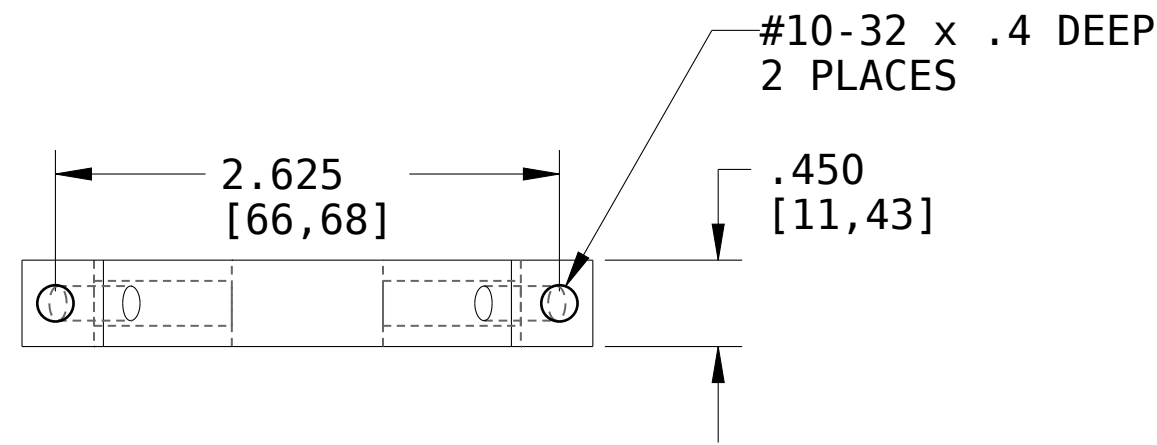
4

5

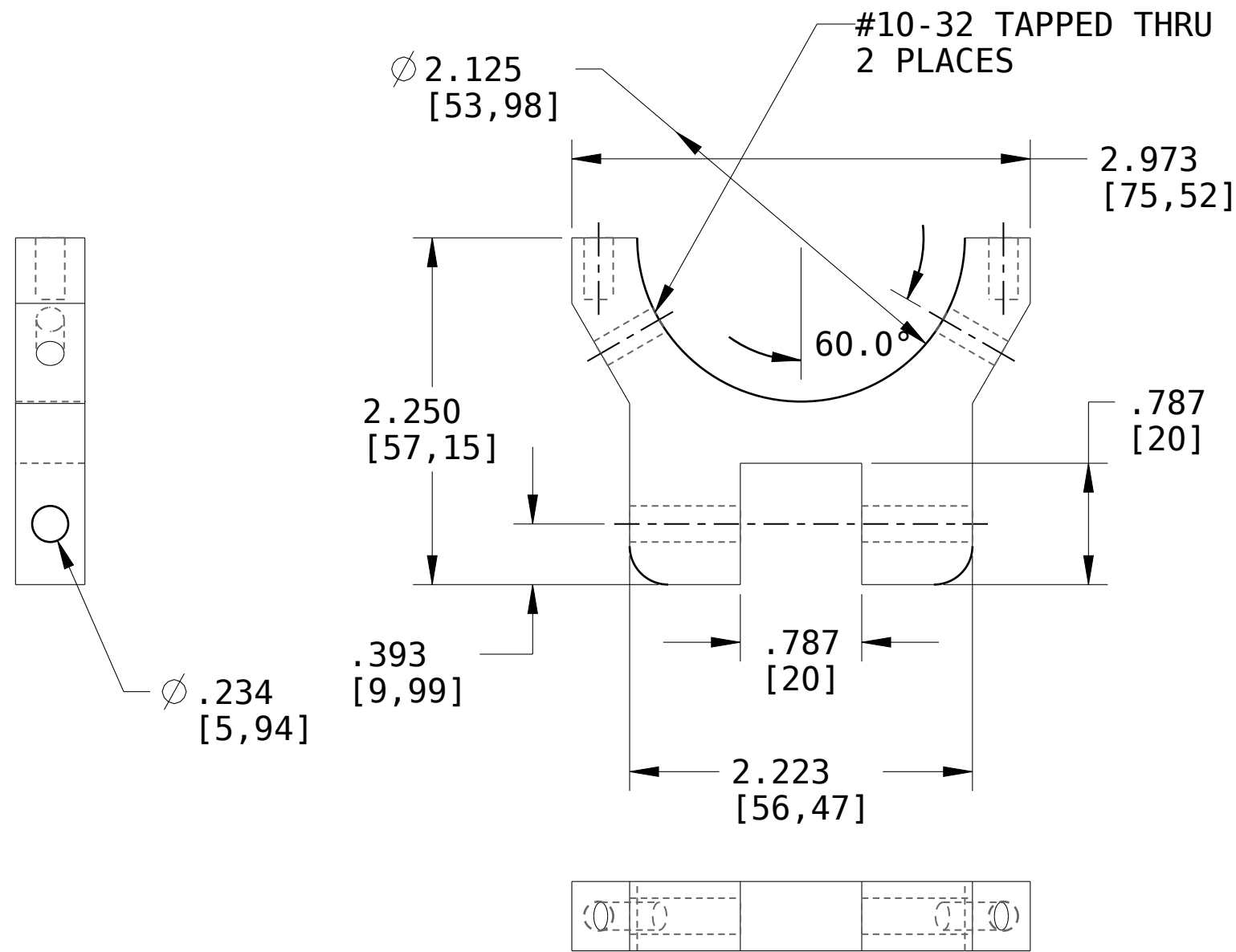
6

REVISIONS				APPROVALS		
SYM	DESCRIPTION	BY	DATE	ENGRG	PROD	Q.A.
1	ORIGINAL	BJD	9/10/09			
2	REVISED	BJD	2/20/10			

D



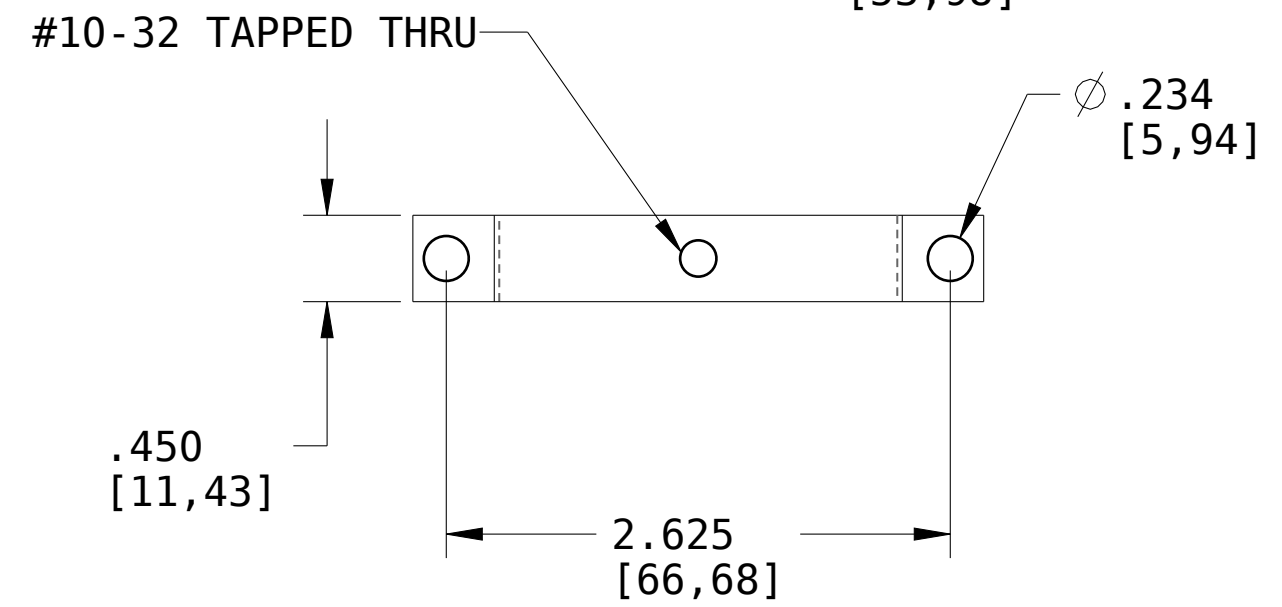
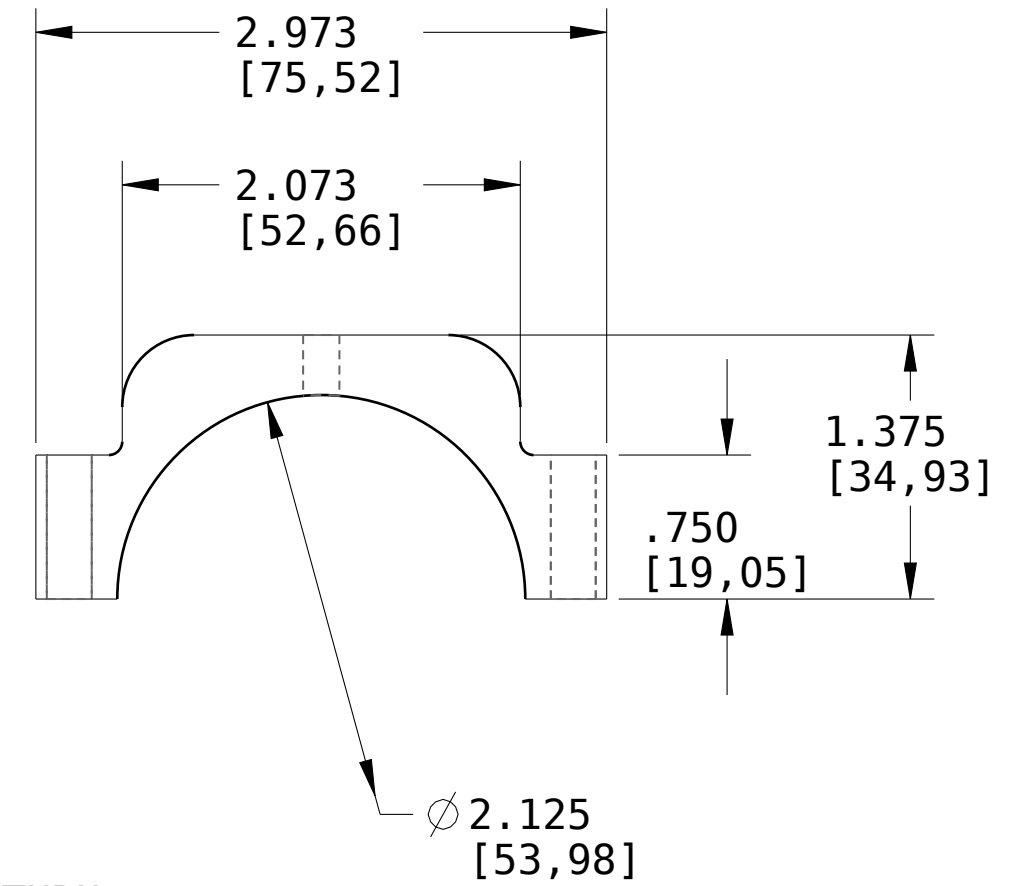
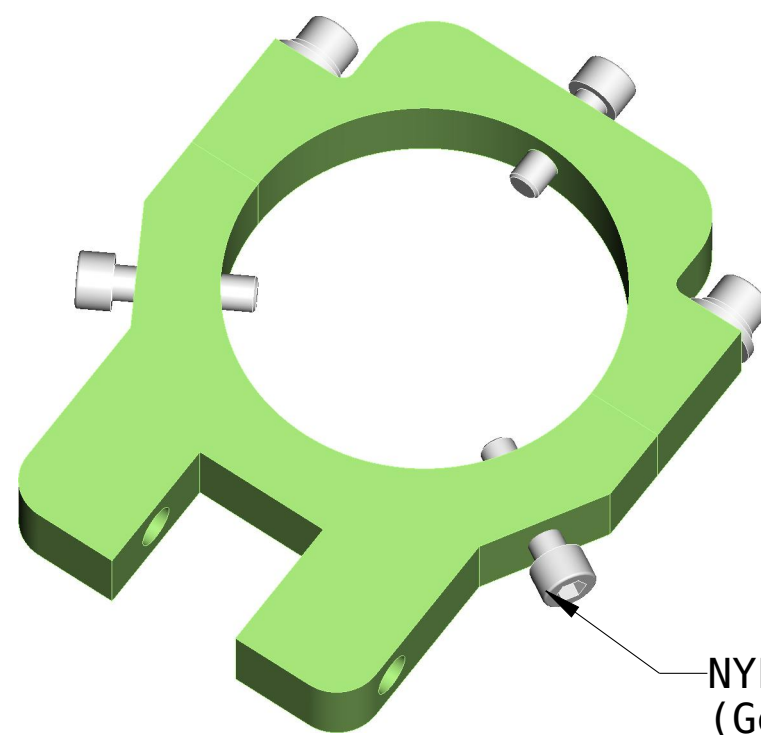
C



B

Material: HDPE (White Cutting Board)

A



Material: HDPE (White Cutting Board)

UNLESS OTHERWISE SPECIFIED:	DRAWN	BJD	9/10/09
FRACTIONAL ± 1/32	DO NOT SCALE	CHECKER	
DECIMAL .XXX ± .010		MECH. ENGR.	
ANGULAR .XX ± .020		ELEC. ENGR.	
MATERIAL: SPEC:	PROJ. ENGR.		
FINISH: SPEC:	CHIEF ENGR.		

TUBE CLAMP	
SCALE	

TUBE_CLAMP
SHEET 1 OF 1