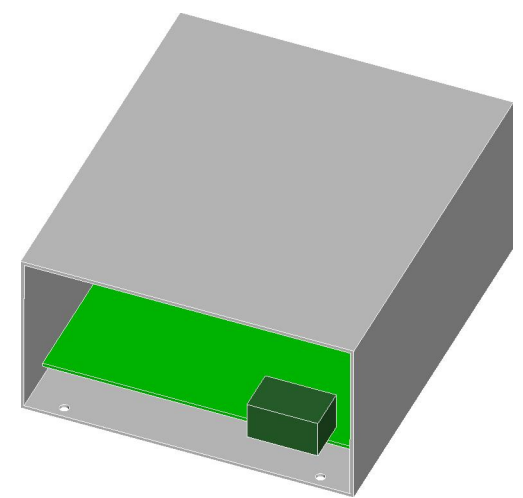
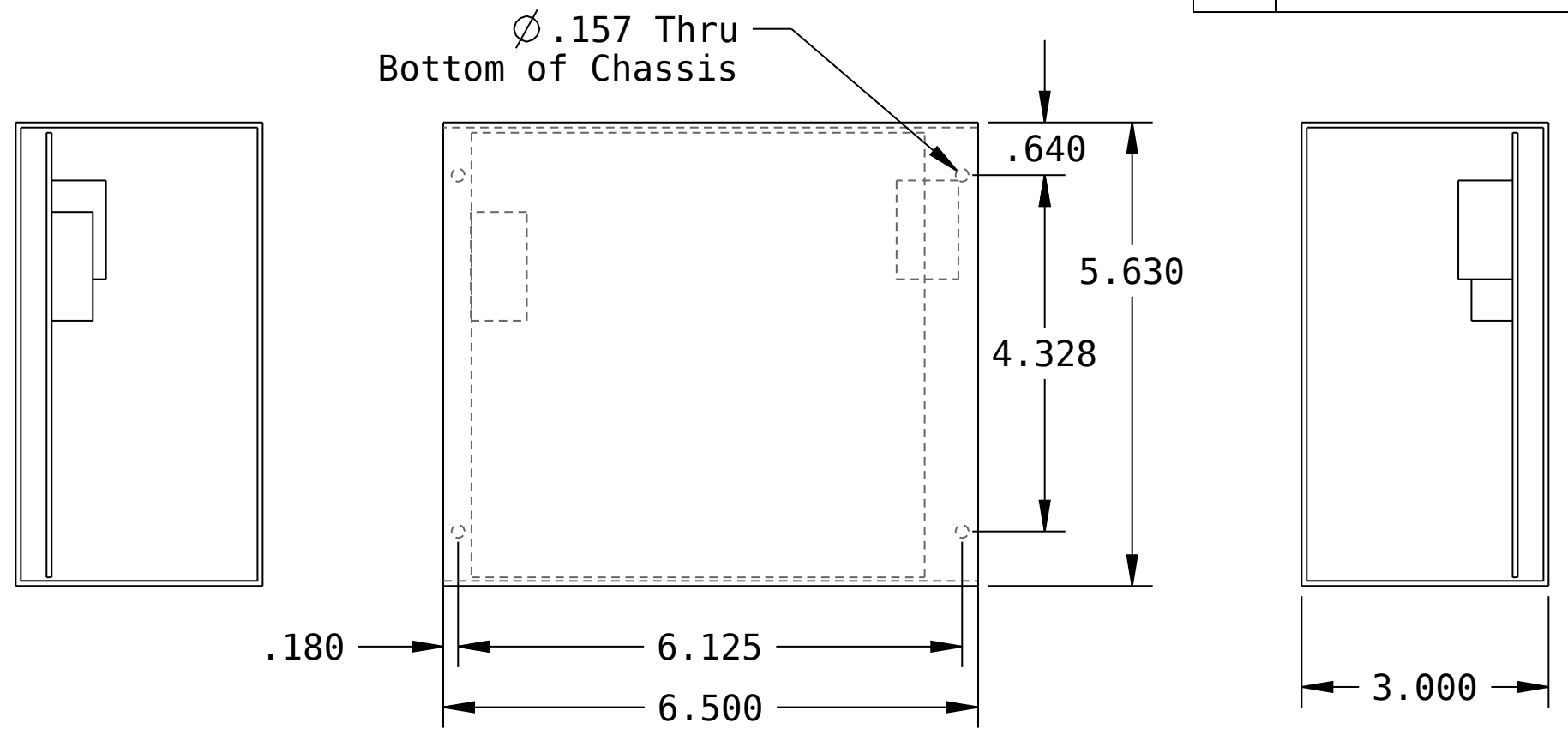


REVISIONS				APPROVALS		
SYM	DESCRIPTION	BY	DATE	ENGRG	PROD	Q.A.
1	ORIGINAL	BJD	8/13/09			



UNLESS OTHERWISE SPECIFIED:		DRAWN	BJD	8/13/09	35W Laser P/S	
FRACTIONAL	$\pm 1/32$	<b>DO NOT SCALE</b>	CHECKER			
DECIMAL	.XXX $\pm .010$		MECH. ENGR.			
	.XX $\pm .020$		ELEC. ENGR.			
ANGULAR	$\pm 1/2^\circ$		PROJ. ENGR.			
MATERIAL: SPEC:			CHIEF ENGR.			
FINISH: SPEC:		SCALE	FSCM NO. 16469	SHEET 1 OF 1	35W_PS	