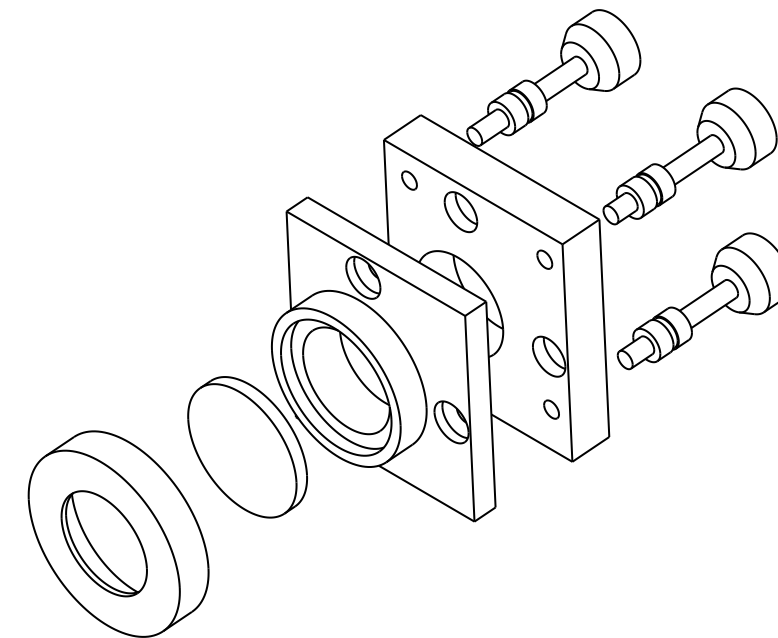
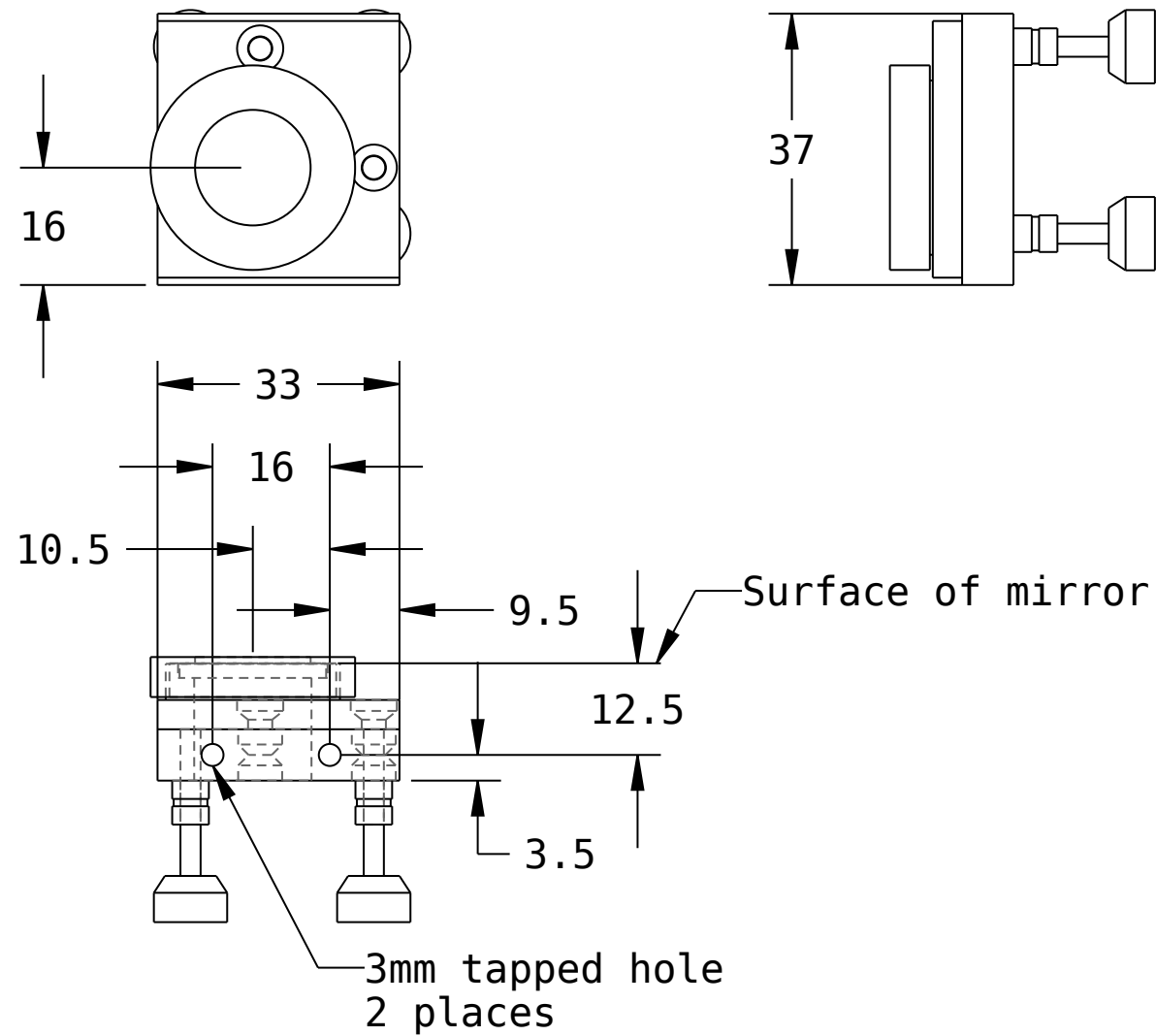


| REVISIONS | | | | APPROVALS | | |
|-----------|-------------|-----|---------|-----------|------|------|
| SYM | DESCRIPTION | BY | DATE | ENGRG | PROD | Q.A. |
| 1 | ORIGINAL | BJD | 8/10/09 | | | |
| | | | | | | |



Exploded View
(Springs not shown)

| | | | | | | |
|-----------------------------|-------------|-------------------------|----------------|--------------|----------------------------------|--|
| UNLESS OTHERWISE SPECIFIED: | | DRAWN | BJD | 8/10/09 | Laser Mirror Assembly | |
| FRACTIONAL | ± 1/32 | DO NOT SCALE | CHECKER | | | |
| DECIMAL | .XXX ± .010 | | MECH. ENGR. | | | |
| | .XX ± .020 | | ELEC. ENGR. | | | |
| ANGULAR | ± 1/2° | | PROJ. ENGR. | | | |
| MATERIAL: SPEC: | | CHIEF ENGR. | | | LASER_MIRROR | |
| FINISH: SPEC: | | SCALE | FSCM NO. 16469 | SHEET 1 OF 1 | | |