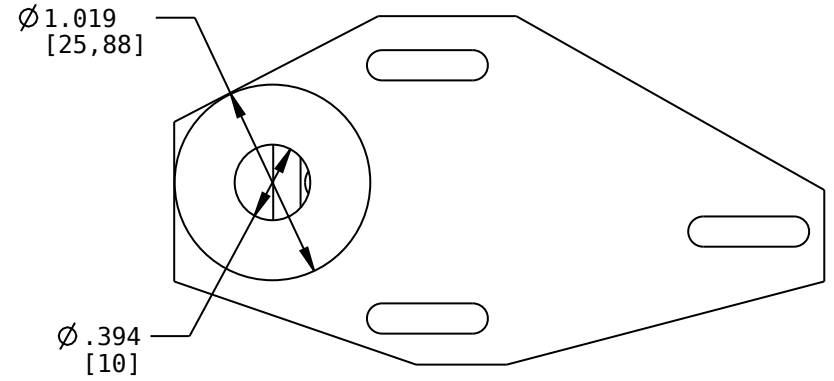
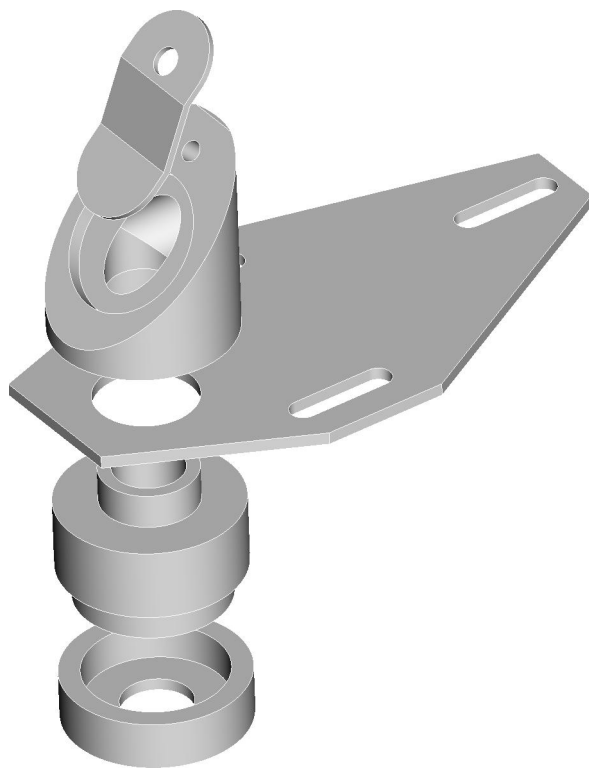
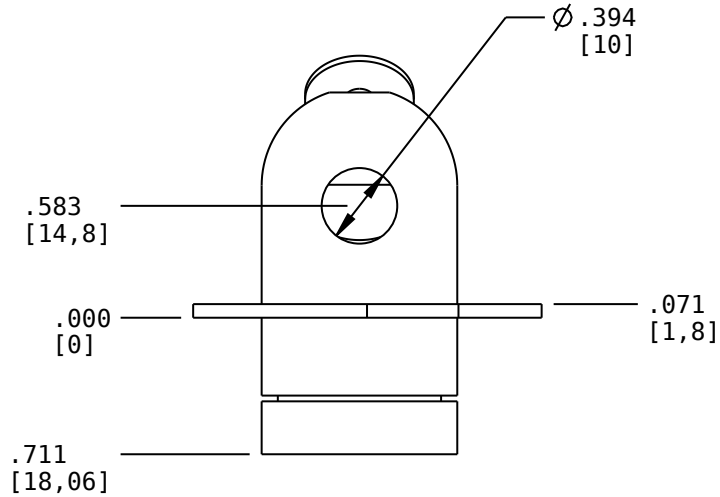
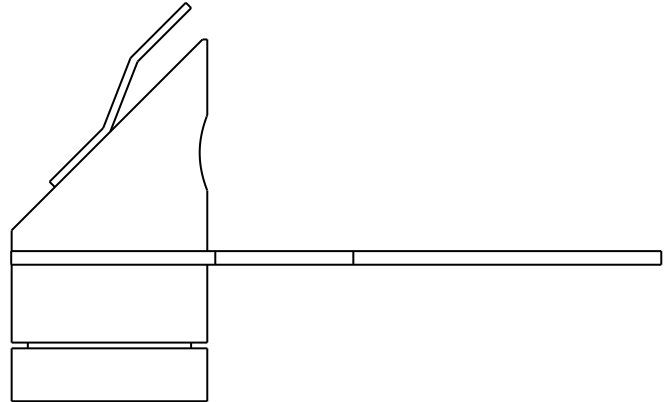
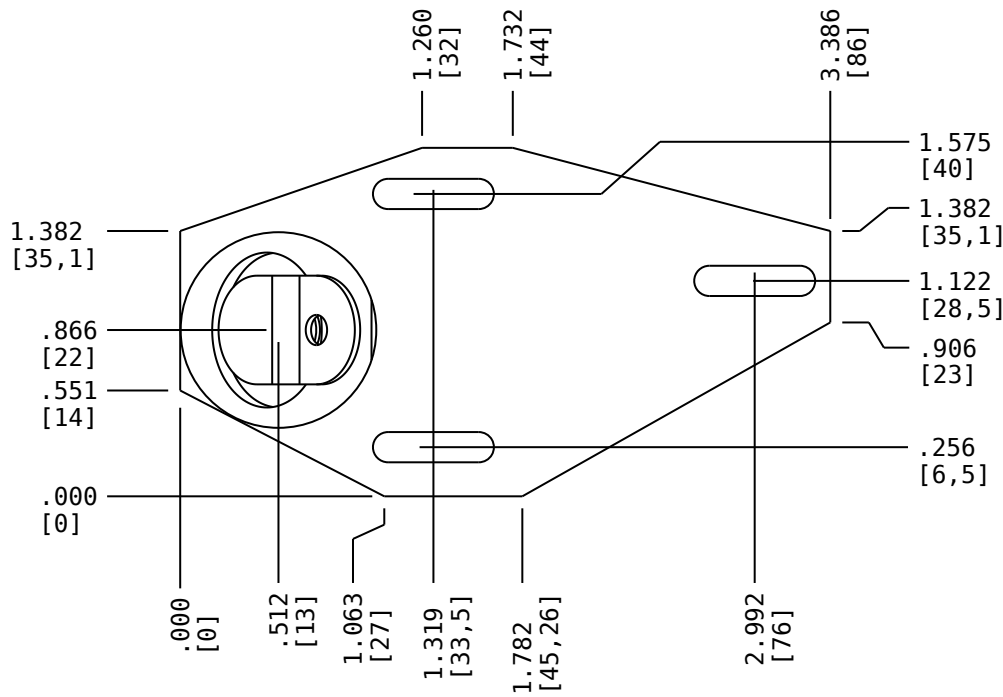


REVISIONS				APPROVALS		
SYM	DESCRIPTION	BY	DATE	ENGRG	PROD	Q.A.
1	ORIGINAL	BJD	7/11/09			



UNLESS OTHERWISE SPECIFIED:		DRAWN	BJD	7/11/09	LEN/MIRROR ASSEMBLY	
FRACTIONAL	± 1/32	CHECKER				
DECIMAL	.XXX ± .010					
ANGULAR	.XX ± .020 ± 1/2°					
MATERIAL: SPEC:		MECH. ENGR.				
FINISH: SPEC:		ELEC. ENGR.				
		PROJ. ENGR.				
		CHIEF ENGR.				
			SCALE	FSCM NO. 16469	LENS_MNT	
					SHEET 1 OF 1	