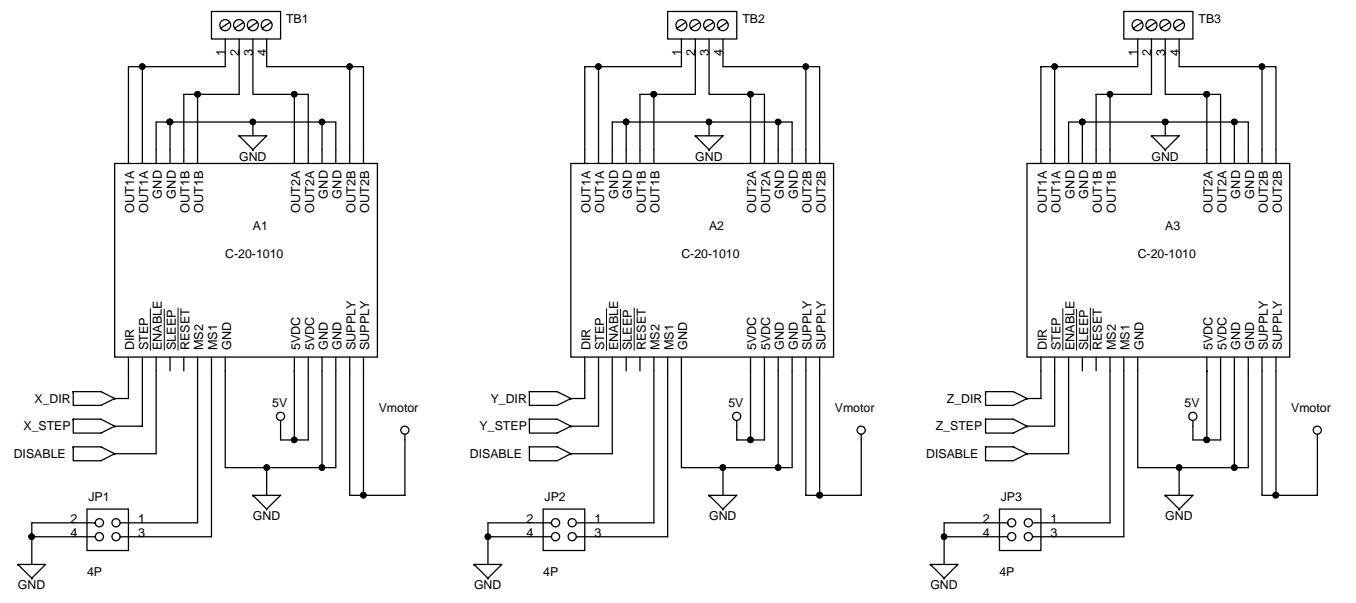
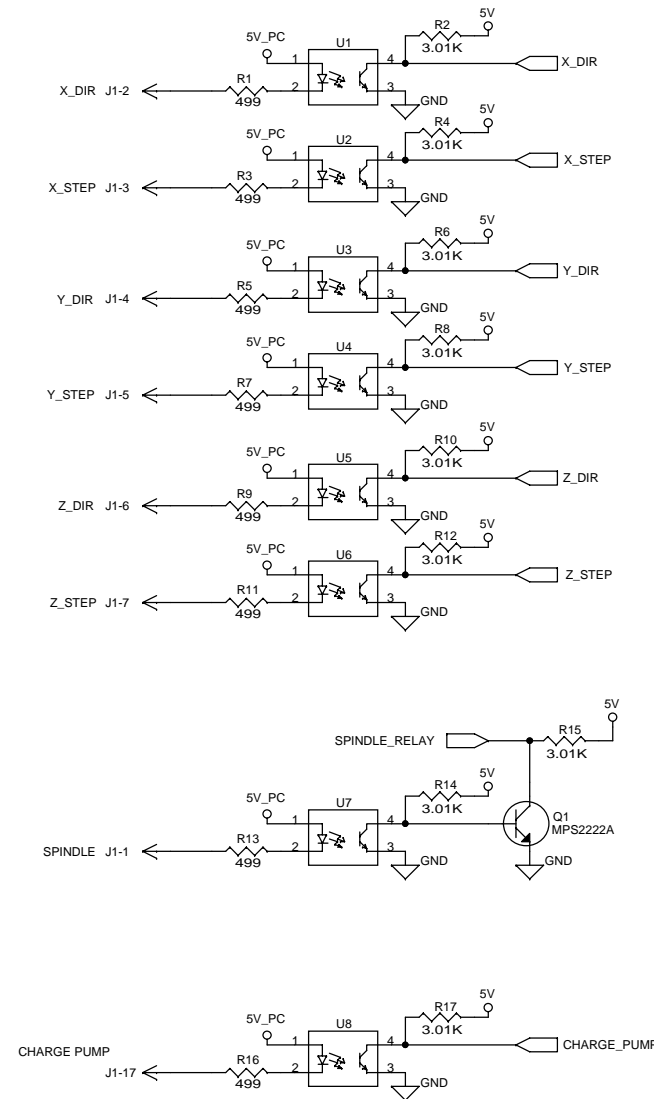
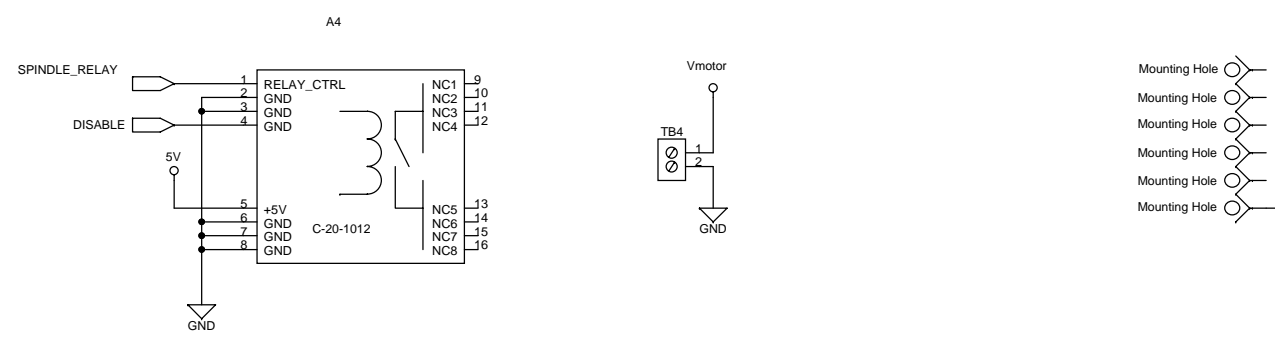
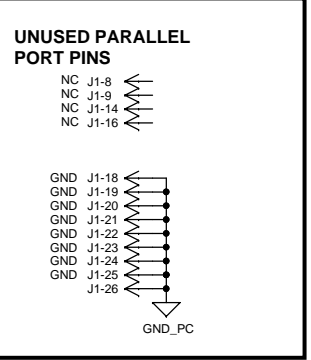


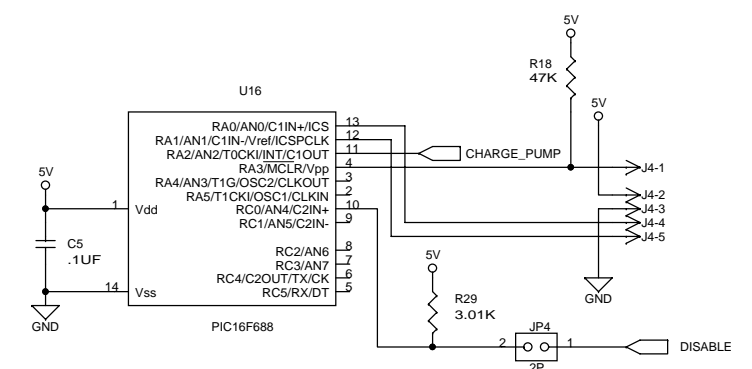
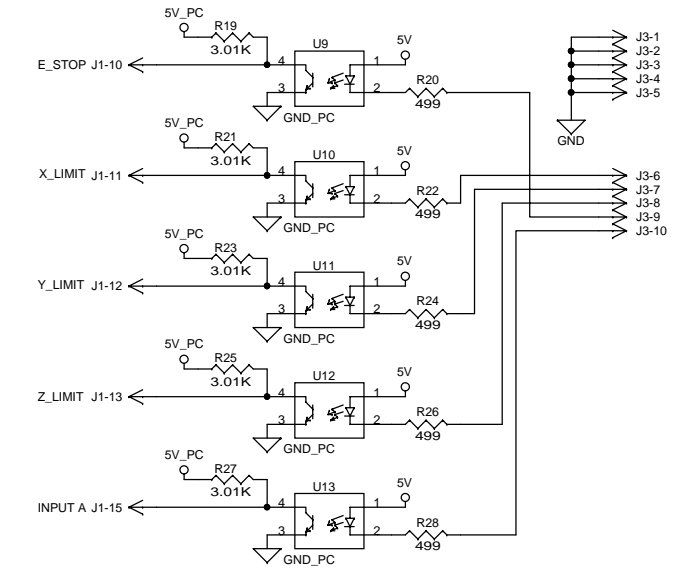
OUTPUTS FROM PC



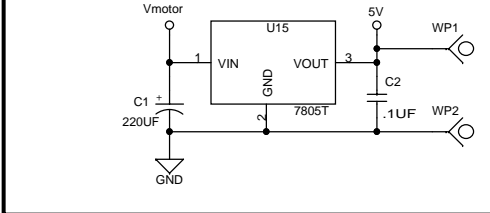
J1=PC PARALLEL PORT
 J2=PC USB PORT
 TB1=X AXIS MOTOR
 TB2=Y AXIS MOTOR
 TB3=Z AXIS MOTOR
 TB4=E-STOP AND LIMIT SWITCHES
 TB5=SPINDLE CONTROL RELAY
 TB6=MOTOR SUPPLY VOLTAGE



INPUTS TO PC



5V REGULATOR



ISOLATED 5V FROM PC

