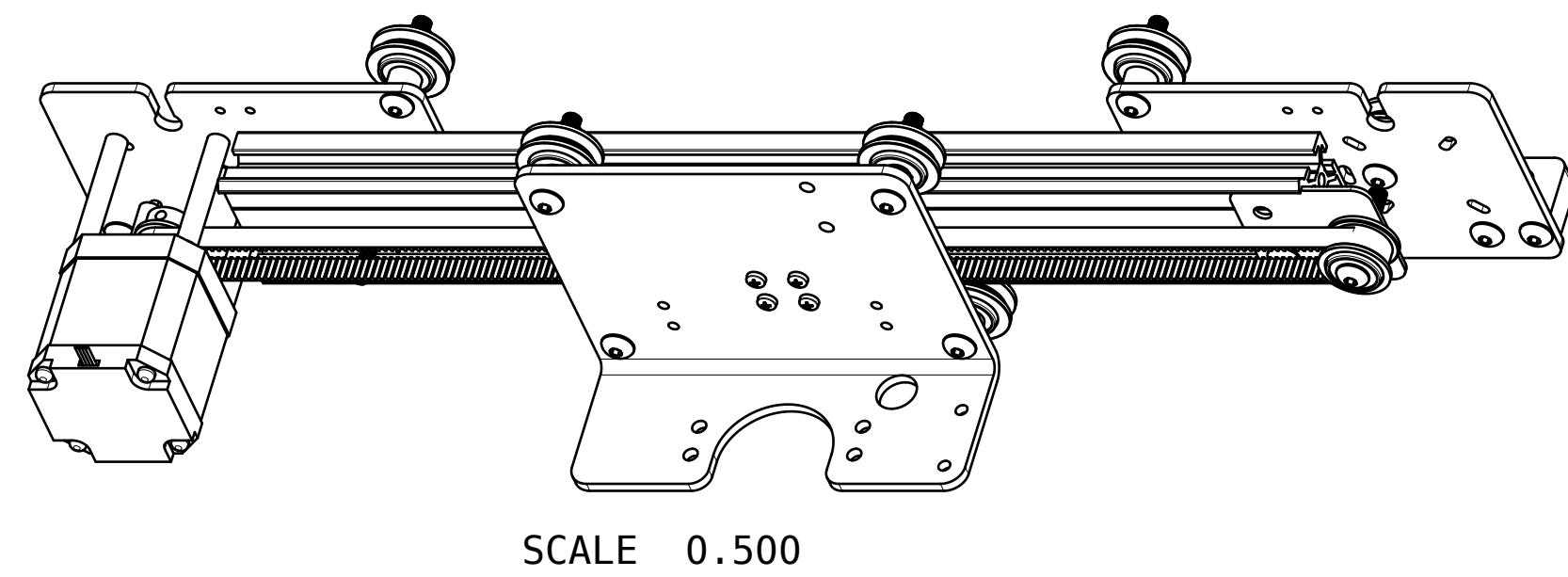
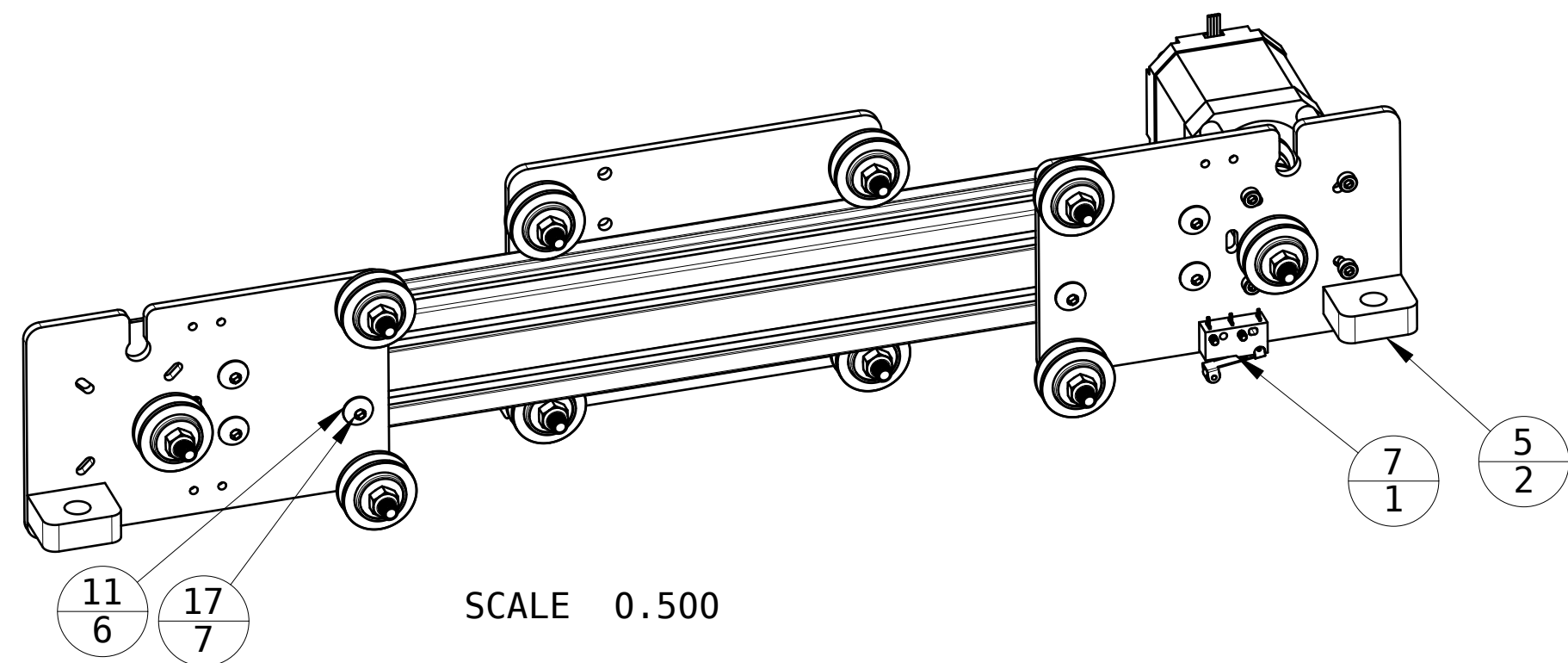
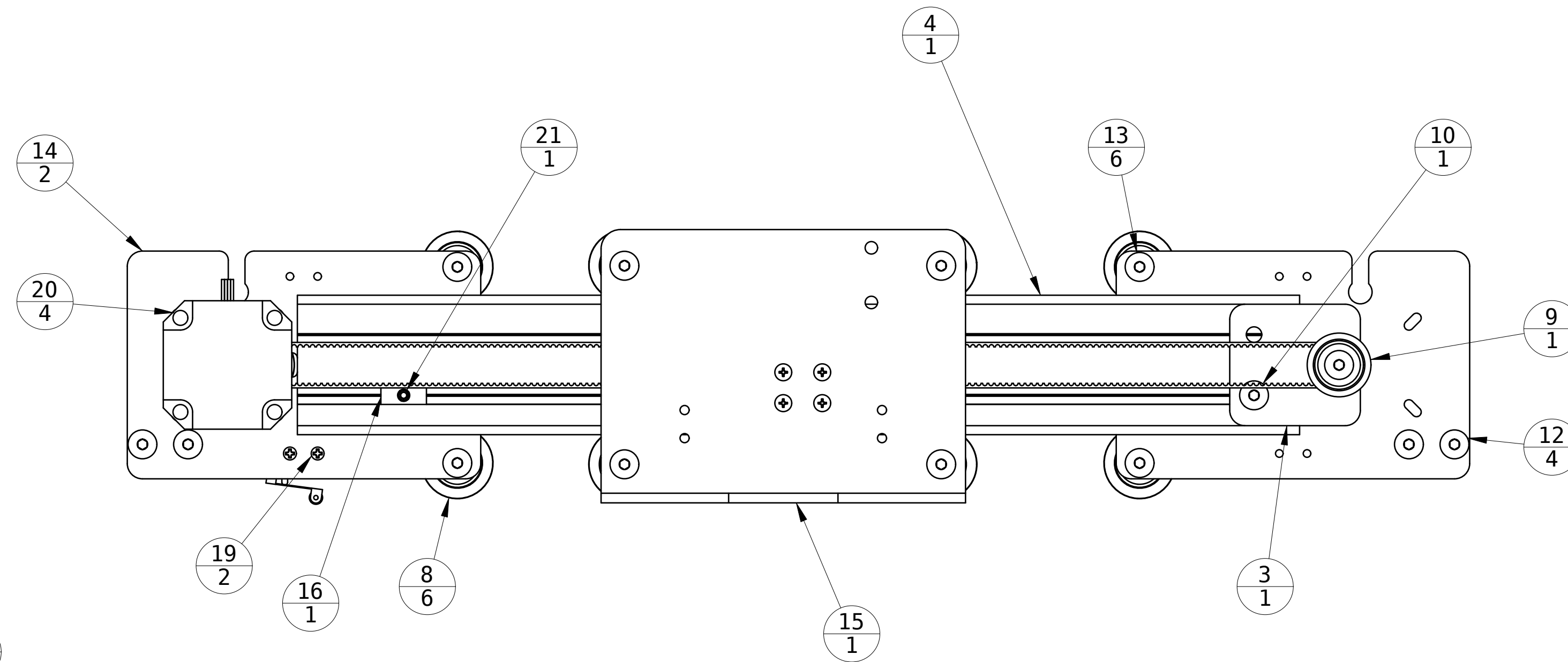
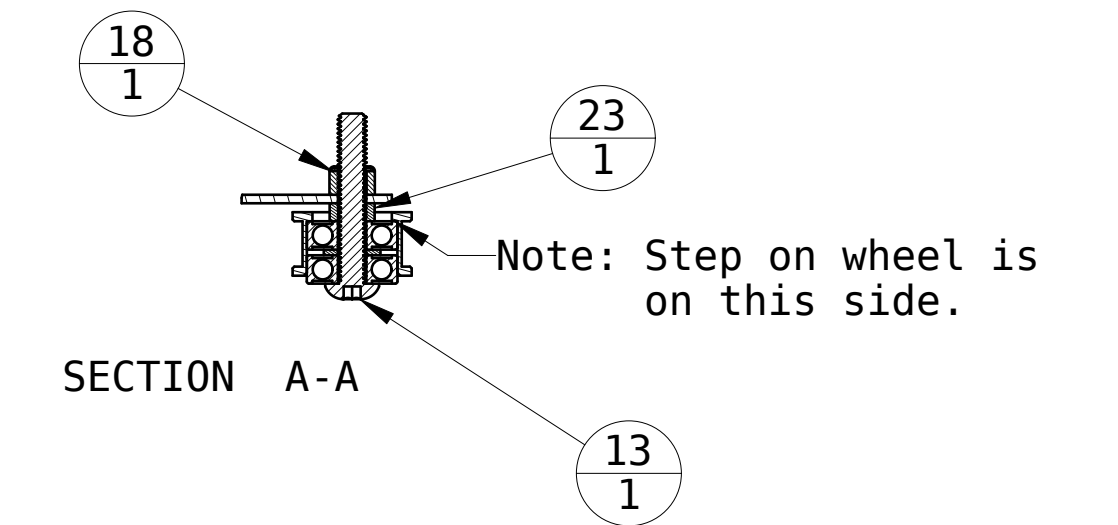
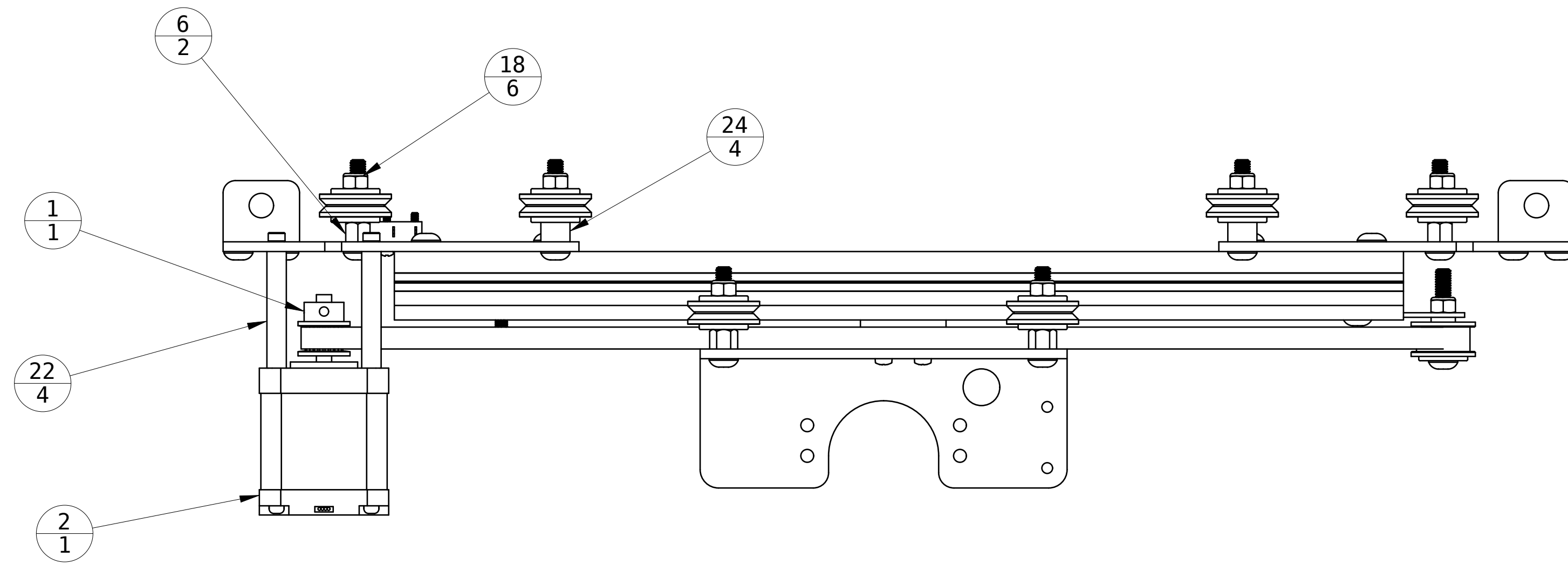



| ITEM | PART NUMBER | QTY | DESCRIPTION |
|------|---------------------|-----|----------------------------------|
| 1 | A_6T16M020DF6005 | 1 | Pulley MXL 20 Tooth 5mm Shaft |
| 2 | B10-10007 | 1 | Nema 17 Stepper Motor |
| 3 | B14013 | 1 | Idler Pulley Bracket |
| 4 | B17022-330 | 1 | MakerSlide 330mm Long |
| 5 | B17055 | 2 | Nut Block |
| 6 | B18001-001 | 2 | Eccentric Spacer |
| 7 | B28009 | 1 | Microswitch, Roller Type |
| 8 | B30037 | 6 | Dual Bearing V Wheel |
| 9 | B30041 | 1 | Double Bearing Idler Assy |
| 10 | BHCSM506S | 1 | Button Head Cap Screw M5 x 6 |
| 11 | BHCSM508S | 6 | Button Head Cap Screw M5 x 8 |
| 12 | BHCSM510S | 4 | Button Head Cap Screw M5 x 10 |
| 13 | BHCSM530S | 7 | Button Head Cap Screw M5 x 30 |
| 14 | C14012 | 2 | Gantry Plate |
| 15 | C30066 | 1 | Extruder Carriage Assembly |
| 16 | HNKK5-4 | 1 | Misumi M4 T-NUT |
| 17 | HNKK5-5 | 7 | T-Nut M5 |
| 18 | HNMSNL | 7 | Hex Nut M5 Nylock |
| 19 | PHMS025608S | 2 | Pan Head Mach Screw #2-56x1/2 |
| 20 | SHMSM345S | 4 | Socket Head Mach Screw M3 x 45mm |
| 21 | SHSM416S | 1 | Socket Head Set Screw |
| 22 | SPACER_115_250_1500 | 4 | Spacer .115 ID .250 OD 1.50Lg. |
| 23 | SPACER_192_312_125 | 1 | Spacer .192 ID .312 OD .125 Lg. |
| 24 | SPACER_192_375_25 | 4 | Spacer .192 ID .375 OD .25 Lg. |

| REVISIONS | | | |
|-----------|-------------|-----|---------|
| SYM | DESCRIPTION | BY | DATE |
| 1 | ORIGINAL | BJD | 7/17/12 |



The work is licensed under a Creative Commons Attribution-Share Alike 3.0 License

| | | | | |
|-------------|-----|---------|----------------------------------|---|
| DRAWN | BJD | 7/17/12 | Hadron Ord Bot Gantry |  www.buildlog.net |
| CHECKER | | | | |
| MECH. ENGR. | | | | |
| ELEC. ENGR. | | | | |
| PROJ. ENGR. | | | | |
| CHIEF ENGR. | | | D30052 | SHEET 1 OF 1 |