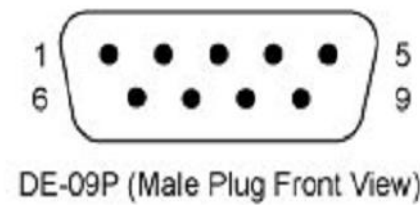
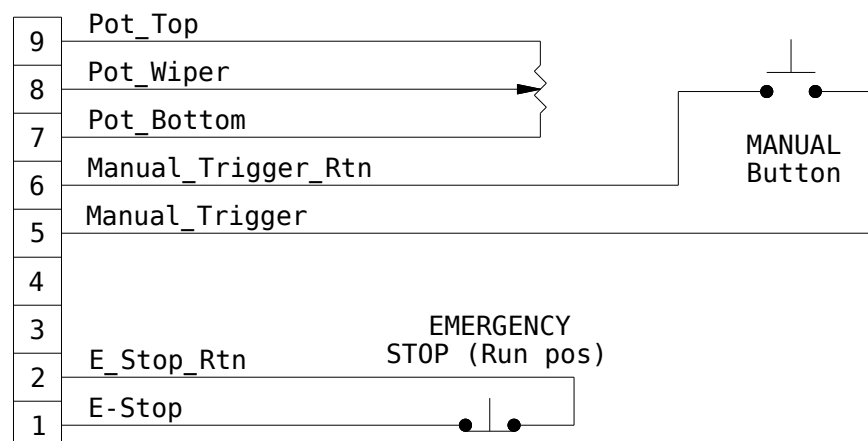
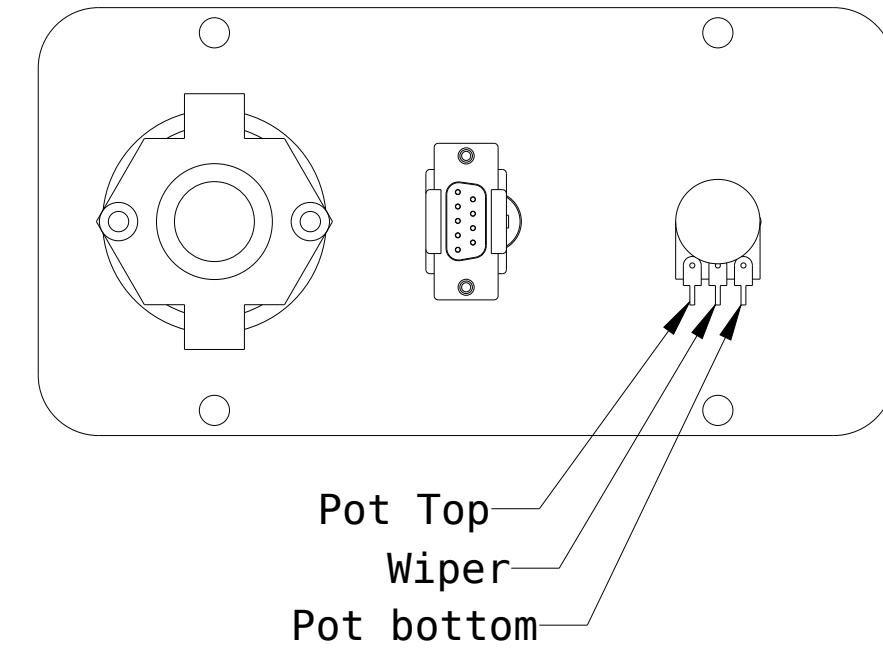
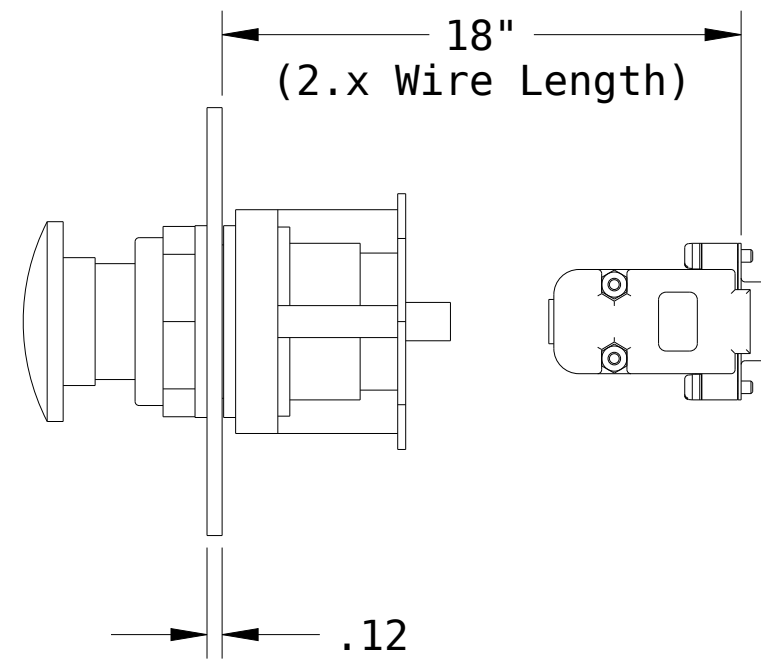
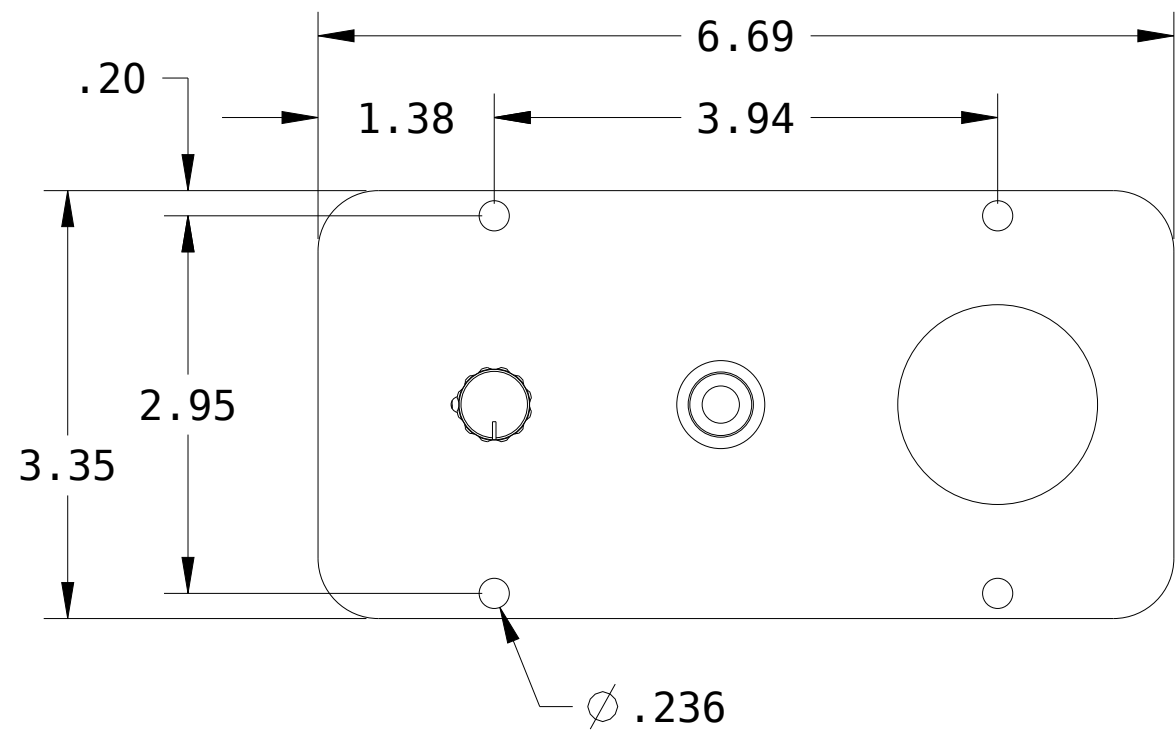


Bill Of Materials		
Part Number	Description	Qty
B19011	Interface Panel	1
	E-Stop Switch	1
	Push Button N/O	1
	Potentiometer 5K	1
	Knob 6mm Shaft	1
	Connector D9P Solder	1
	Backshell Kit D9	1

REVISIONS			
SYM	DESCRIPTION	BY	DATE
1	ORIGINAL	BJD	1/22/11




Notes:

1. Solder all connections except E-Stop switch
2. Use 22-24 Awg Wire (not included)
3. Part appearance may change due to availability.



The work is licensed under a Creative Commons Attribution-Share Alike 3.0 License

DRAWN	BJD	1/22/11	Control Panel Assy	 www.buildlog.net	
CHECKER					C30032
MECH. ENGR.					
ELEC. ENGR.					
PROJ. ENGR.					
CHIEF ENGR.					
SCALE				SHEET 1 OF 1	